

Dual T1/E1 Interface Transformer

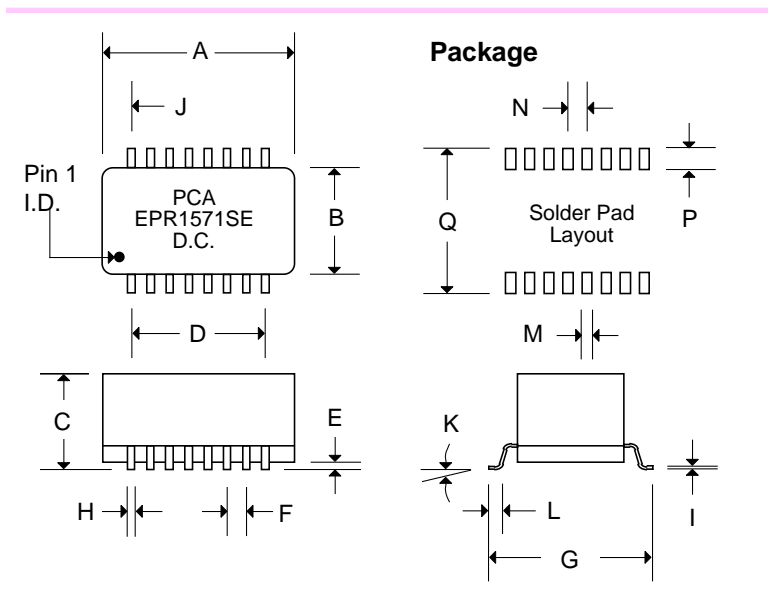
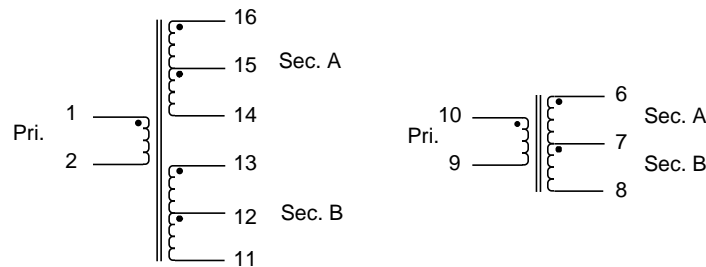
EPR1571SE

- 1500 Vrms Isolation •
- Transmit and Receive Transformers in one SMD Package •
- Operating Temperature -40°C to +85°C •

Electrical Parameters @ 25° C

Primary Inductance (mH Min.)		Leakage Inductance (µH Max.)	Interwinding Capacitance (pF Max.)	Turns Ratio (Tol. ± 2%)				DCR (Max.)	
1.5	1.5	0.80	35	1:1.91CT	1:2.42CT	1:1.91	1:2.42	1.27	2.4
Pins 1-2	Pins 9-10	Pri. to each Sec. shorted	Pri. to each Sec.	Pins 1-2 to 16-14	Pins 1-2 to 13-11	Pins 10-9 to 7-8	Pins 10-9 to 6-8	Pins 1-2 or 9-10	Pins 16-14 or 13-11 or 6-8

Schematic



Dimensions

Dim.	(Inches)			(millimeters)		
	Min.	Max.	Nom.	Min.	Max.	Nom.
A	.490	.510	.500	12.45	12.95	12.70
B	.260	.280	.270	6.60	7.11	6.86
C	.230	.250	.240	5.84	6.35	6.09
D	---	---	.350	---	---	8.90
E	.005	.015	.010	.127	.381	.254
F	---	---	.050	---	---	1.27
G	.370	.390	.380	9.40	9.91	9.65
H	.018	.022	.020	.457	.559	.508
I	.008	.012	.010	.203	.305	.254
J	---	---	.075	---	---	1.90
K	0°	8°	4°	0°	8°	4°
L	.025	.045	.035	.635	1.14	.889
M	---	---	.030	---	---	.762
N	---	---	.050	---	---	1.27
P	---	---	.085	---	---	2.16
Q	---	---	.440	---	---	11.18