

MTE7710N

Features

High Power Output
High Reliability
Narrow Beam Angle

Applications

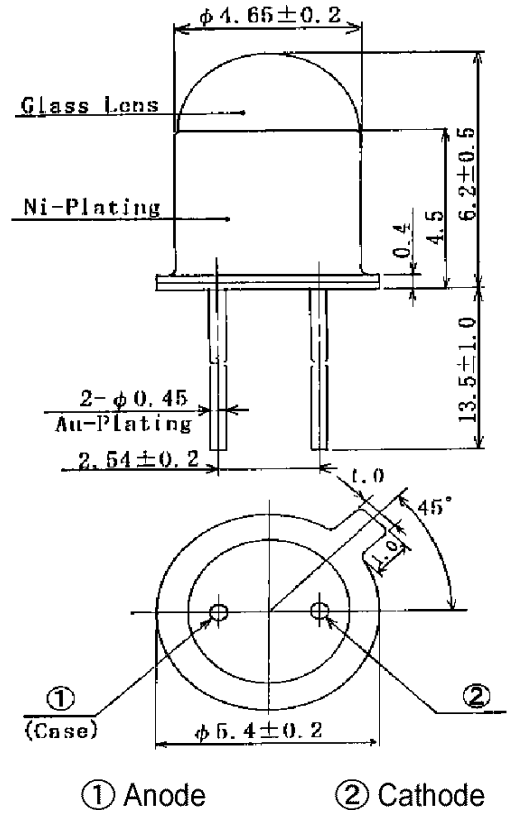
Optical Sensors
Optical Switches
Medical Applications

Maximum Ratings (Ta=25°C)

Characteristic	Symbol	Max.	Test Condition	Unit
Forward Current	I _F	50	–	mA
Pulsed Forward Current	I _{FP}	.50	tw=10μ S, T=10mS	A
Reverse Voltage	V _R	5	–	V
Power Dissipation	P _D	100.00	–	mW
Operating Temperature	T _{opr}	-20 ~ +80	–	°C
Storage Temperature	T _{stg}	-30 ~+100	–	°C
Junction Temperature	T _j	100	–	°C
Soldering Temperature	T _{sol}	260	for 5 sec. max	°C

Opto-Electrical Characteristics (Ta=25°C)

Characteristic	Symbol	Test Condition	Min	Typ	Max	Unit
Forward Voltage	V _F	I _F =20mA	–	1.55	2.00	V
Reverse Current	I _R	V _R =5V	–	–	100	μA
Power Output	PO	I _F =20mA	–	2.00	–	mW
Half Intensity Beam Angle	θ	–	–	± 9°	–	deg.
Peak Wavelength	λ _p	I _F =20mA	–	770	–	nm
Spectral Line Half Width	Δλ	I _F =20mA	–	30	–	nm



MTE7710N Graphs

