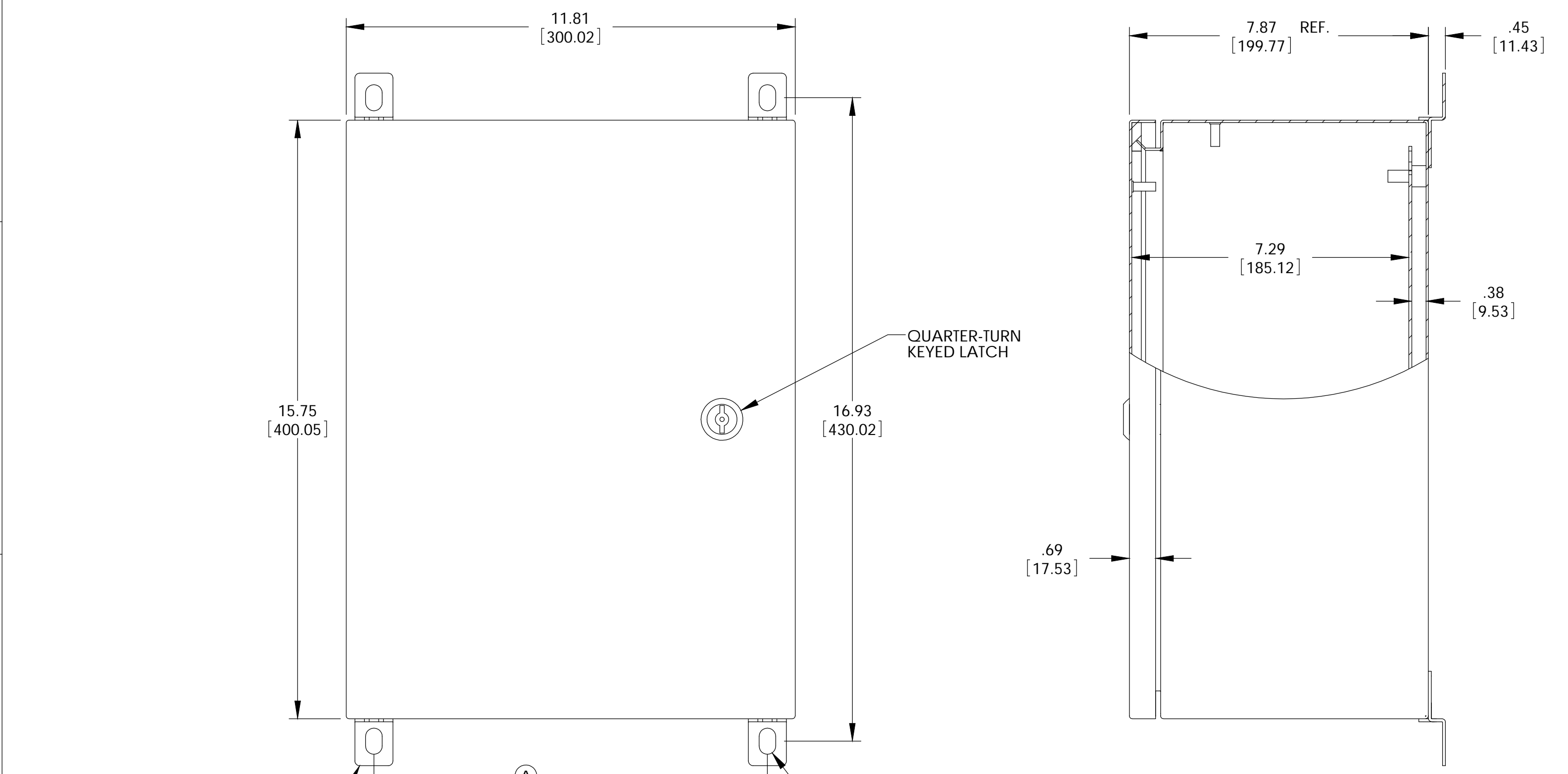


THE INFORMATION CONTAINED IN THIS DRAWING IS THE SOLE PROPERTY OF BUD INDUSTRIES INC. ANY REPRODUCTION IN PART OR WHOLE WITHOUT THE WRITTEN PERMISSION OF BUD INDUSTRIES INC. IS PROHIBITED.

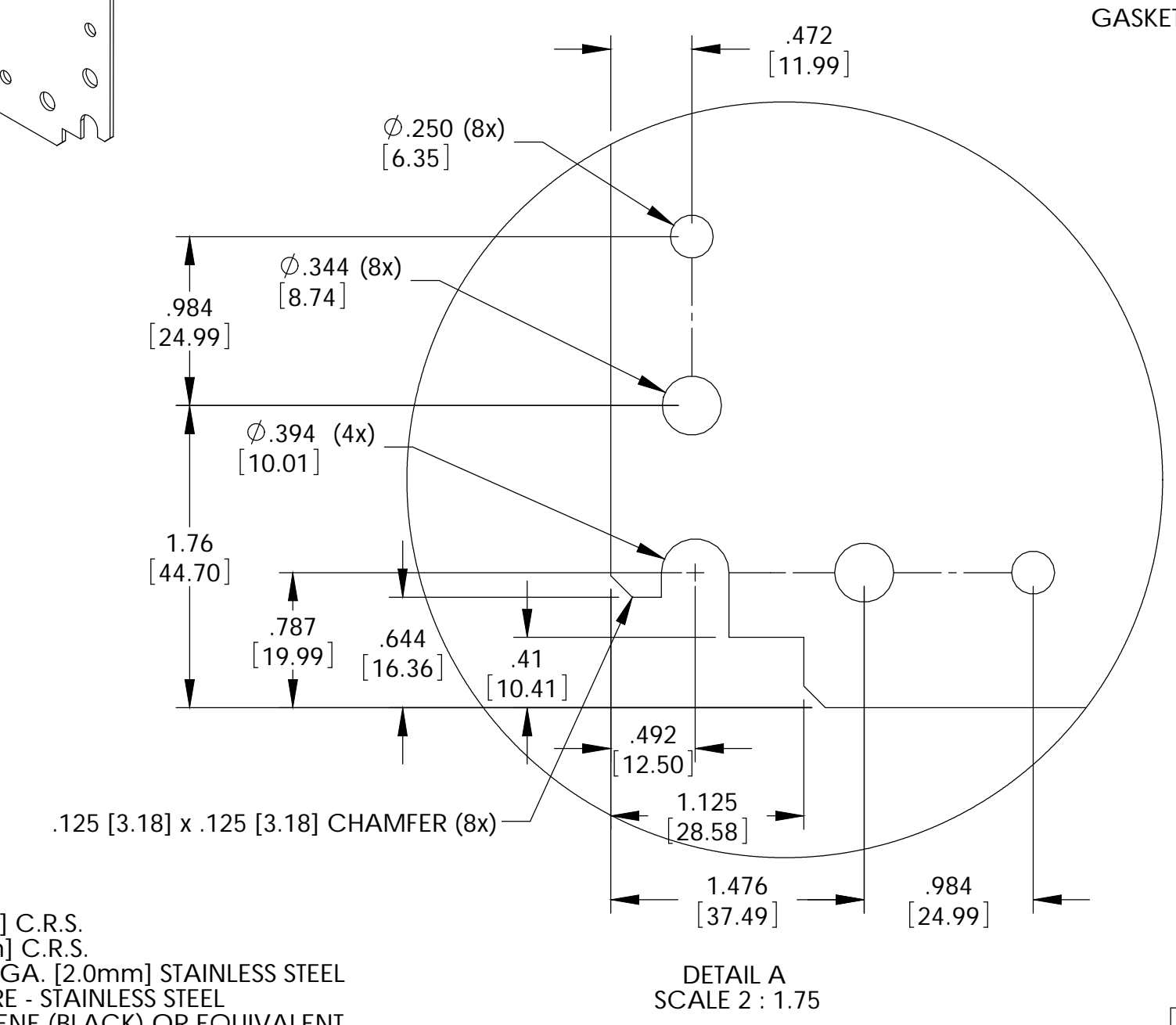
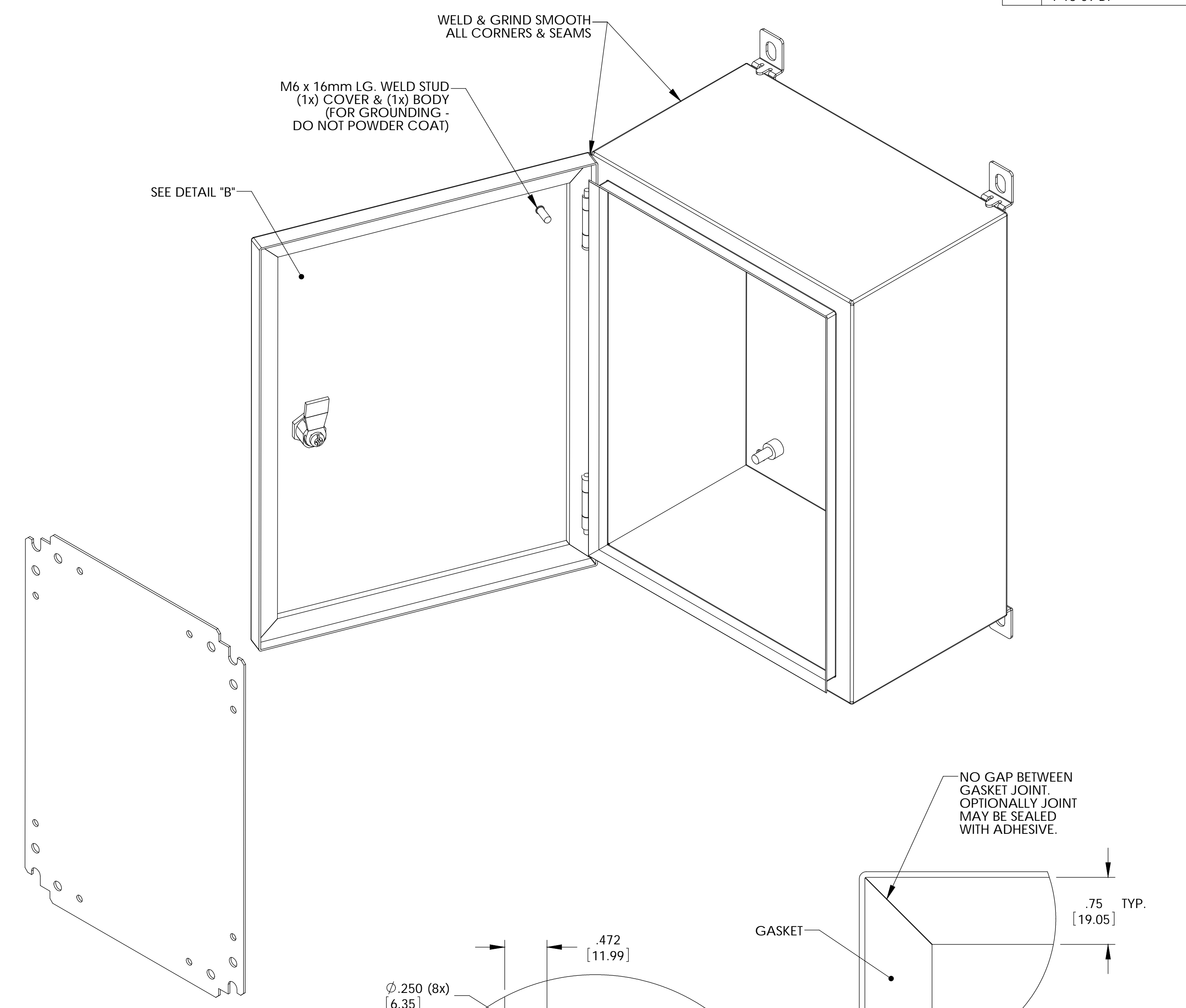
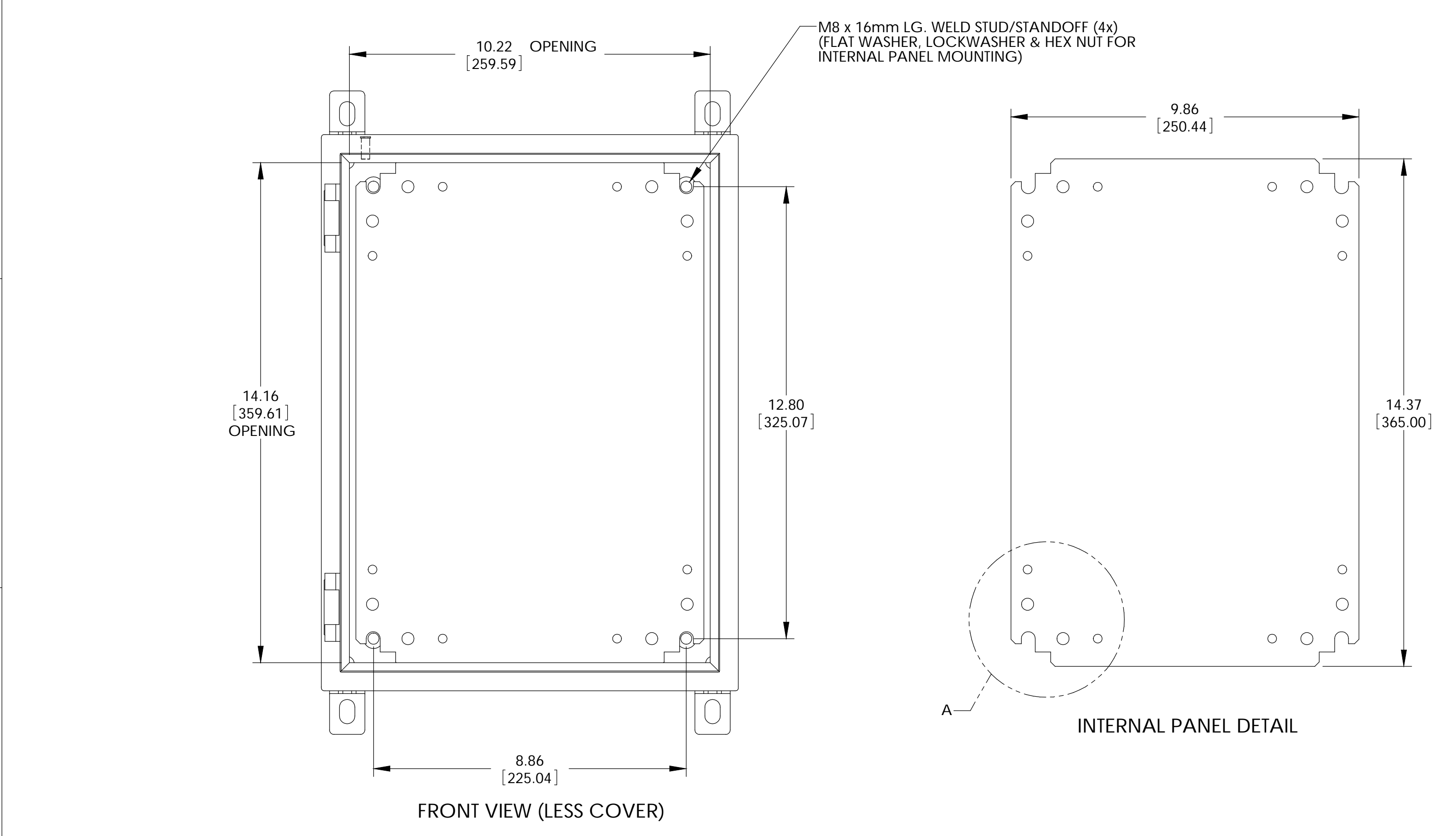
DWG. NO.	SNB-3736
ISSUE	REVISIONS
(A)	PER ECN #10446 1-13-09 BT



WALL MOUNTING BRACKET KIT TO CONTAIN THE FOLLOWING:
(4) BRACKETS, (4) BOLTS, (4) SEALING WASHERS, (4) FLAT WASHERS, (4) LOCKWASHERS & (4) HEX NUTS

10.35 [262.94]

.437 [11.10] x .687 [17.45] OBLONG EACH BRACKET



MATERIAL:
 BODY & COVER - 16 GA. [1.5mm] C.R.S.
 INTERNAL PANEL - 14 GA. [2.0mm] C.R.S.
 WALL MOUNTING BRACKETS - 14 GA. [2.0mm] STAINLESS STEEL
 HINGE PINS, STRIKER & HARDWARE - STAINLESS STEEL
 GASKET - .25 [6.35] THICK NEOPRENE (BLACK) OR EQUIVALENT
 SEALING WASHERS - BLACK NEOPRENE OR EQUIVALENT

FINISH:
 BODY & COVER - LIGHT GRAY SMOOTH POWDER COAT
 INTERNAL PANEL - ZINC CHROMATE
 WALL MOUNTING BRACKETS, HINGE PINS, STRIKER - NATURAL

PARTS LIST		BUD INDUSTRIES INC.	
UNLESS OTHERWISE SPECIFIED ALL DIMENSIONS ARE IN INCHES (MILLIMETERS)	CAD GENERATED DRAWING DO NOT MANUALLY UPDATE	DATE	9-21-07
TOLERANCES DECIMALS .XX ± .03 XXX ± .010	APPROVALS	CHECKED	DAB
MATERIAL	AS NOTED	APPROVED	
FINISH	AS NOTED	SCALE	DWG. NO. SNB-3736
QTY.	USED ON	DO NOT SCALE DRAWING	SCALE