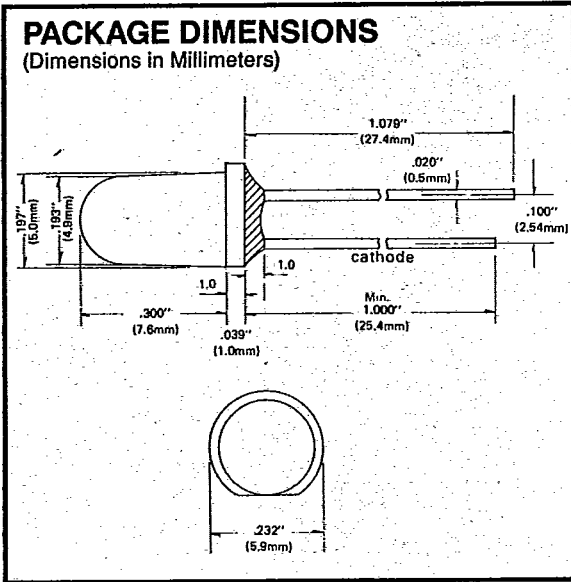


LUMEX-Lites®

FAMILY SERIES SSL-LX5093XXX BI-COLOR MAIN FEATURES

- LED CHANGES COLOR IN REVERSE
- BOTH COLORS IN A.C. MODE
- ANY TWO COLORS AVAILABLE
- MILKY WHITE LENS
- LOW OPERATING CURRENT
- HIGH ON/OFF CONTRAST



WHERE AND HOW TO USE THIS SERIES

- POLARITY INDICATORS
- PANEL BI-COLOR INDICATORS
- (GO-NO GO) INDICATORS
- (GOOD-BAD) FAULT INDICATORS

Limits of Safe Operation (at 25°C)			
Color	Power Dissip.	Power Derating Over +25°C/°C	Continuous IF Max.
Red	160 mW	- 1.8 mW	70 mA
Dk-Red	110 mW	- 1.3 mW	35 mA
Green	110 mW	- 1.3 mW	35 mA
Yellow	110 mW	- 1.3 mW	35 mA
Ora/Red	110 mW	- 1.3 mW	35 mA
Peak Forward Current (1µs Pulse .03% Duty Cycle) 1.0 A			
Storage and Operating Temperature - 55 to + 100°C			
Soldering Time @ 230°C 5 Sec. Max.			

PART SELECTION AND APPLICATION INFORMATION (RATINGS AT 25°C AMBIENT)

Lumex Part Number	Use Code	Short (-) Light Color (Lead 1)	Long (-) Light Color (Lead 2)	Lens Color	Avg. Brightness At 20 mA	Typical Forward Volts	Cathode Lead Position/Color Driven
SSL-LX5093RGW	A,B	Red (655NM)	Green (565NM)	Milky White	1.5 MCD	1.7 Red 2.1 Green	Red
SSL-LX5093GRW	A,B	Green (565NM)	Red (655NM)	Milky White	1.5 MCD	1.7 Red 2.1 Green	Green
SSL-LX5093IGW	A,B	Ora/Red (630NM)	Green (656NM)	Milky White	2.6 MCD	2.1 VF	Ora/Red
SSL-LX5093GIW	A,B	Green (565NM)	Ora/Red (630NM)	Milky White	2.6 MCD	2.1 VF	Green
SSL-LX5093IYW	A,B	Ora/Red (670NM)	Yellow (585NM)	Milky White	2.6 MCD	2.1 VF	Ora/Red
SSL-LX5093YIW	A,B	Yellow (585NM)	Ora/Red (630NM)	Milky White	2.6 MCD	2.1 VF	Yellow
SSL-LX5093GYW	A,B	Green (565NM)	Yellow (585NM)	Milky White	2.6 MCD	2.1 VF	Green
SSL-LX5093YGW	A,B	Yellow (585NM)	Green (565NM)	Milky White	2.6 MCD	2.1 VF	Yellow

Available with two chips same color for Bi-Polar Operation

Use Code (A) Front Panels (B) Fault Indicator (C) Backlighting (D) Bright Point or Spot
See page 6 for typical operating curves