



TAI-SAW TECHNOLOGY CO., LTD.

No. 3, Industrial 2nd Rd., Ping-Chen Industrial District,
Taoyuan, 324, Taiwan, R.O.C.

TEL: 886-3-4690038 FAX: 886-3-4697532

E-mail: tstsales@mail.taisaw.com Web: www.taisaw.com

Product Specifications Approval Sheet

Product Description: SAW Filter 2017.5 MHz SMD 2.0X1.6 mm (BW=15MHz)

TST Part No.: TA1108A

Customer Part No.: _____

Customer signature required
Company: _____
Division: _____
Approved by : _____
Date: _____

Checked by: _____ Bob Chau *Bob Chau*

Approved by: _____ Francis Chen *Francis Chen*
9/29/09

Date: _____ 9, 29, 2009

1. Customer signed back is required before TST can proceed with sample build and receive orders.
2. Orders received without customer signed back will be regarded as agreement on the specifications.
3. Any specifications changes must be approved upon by both parties and a new revision of specifications shall be released to reflect the changes.



TAI-SAW TECHNOLOGY CO., LTD.

No. 3, Industrial 2nd Rd., Ping-Chen Industrial District,
Taoyuan, 324, Taiwan, R.O.C.

TEL: 886-3-4690038 FAX: 886-3-4697532

E-mail: tstsales@mail.taisaw.com Web: www.taisaw.com

SAW Filter 2017.5MHz

MODEL NO.:TA1108A

REV. NO.:1

A. MAXIMUM RATING:

1. Input Power Level: 10 dBm
2. DC Voltage : 3V
3. Operating Temperature: -30°C to +85°C
4. Storage Temperature: -40°C to +95°C

RoHS Compliant
Lead free
Lead-free soldering

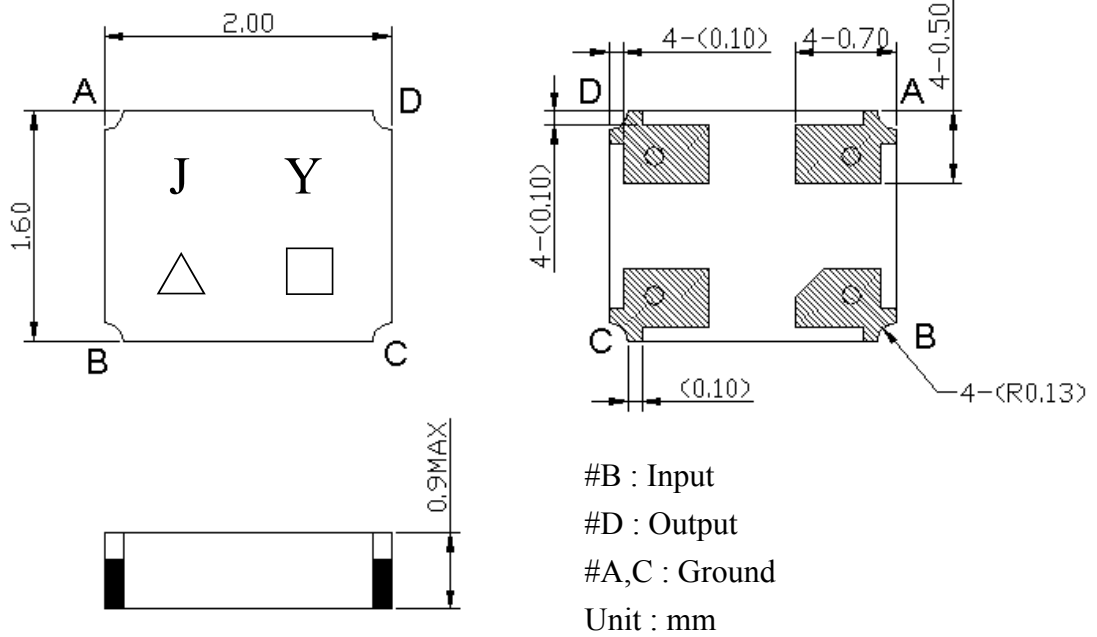
B. ELECTRICAL CHARACTERISTICS:

Terminating source impedance : $Z_s = 50 \Omega$

Terminating load impedance : $Z_L = 50 \Omega$

Item	Unit	Min.	Type.	Max.	Note
Center Frequency	Fc MHz	-	2017.5	-	-
Insertion Loss (2010~2025 MHz)	IL dB	-	1.25	2.2	-
Amplitude ripple (2010~2025 MHz)	dB	-	0.1	1.0	-
VSWR (2010~2025 MHz)		-	1.35	1.9	-
Attenuation					
0.1~1020 MHz	dB	30	33	-	-
1220~1570 MHz	dB	20	33	-	-
1570~1590 MHz	dB	30	34	-	-
1590~1820 MHz	dB	20	34	-	-
1820~1850 MHz	dB	31	34	-	-
1850~1950 MHz	dB	20	27	-	-
2085~2400 MHz	dB	19	21	-	-
2400~2430 MHz	dB	29	33	-	-
2430~2790 MHz	dB	25	32	-	-
2790~2820 MHz	dB	30	32	-	-
2820~3000 MHz	dB	25	34	-	-
3000~4010 MHz	dB	20	32	-	-
4010~4060 MHz	dB	25	32	-	-
4060~6000 MHz	dB	10	22	-	-

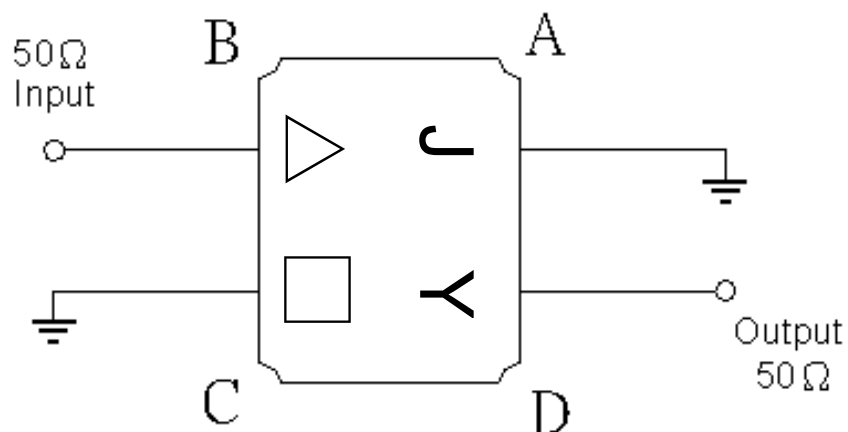
C.OUTLINE DRAWING:



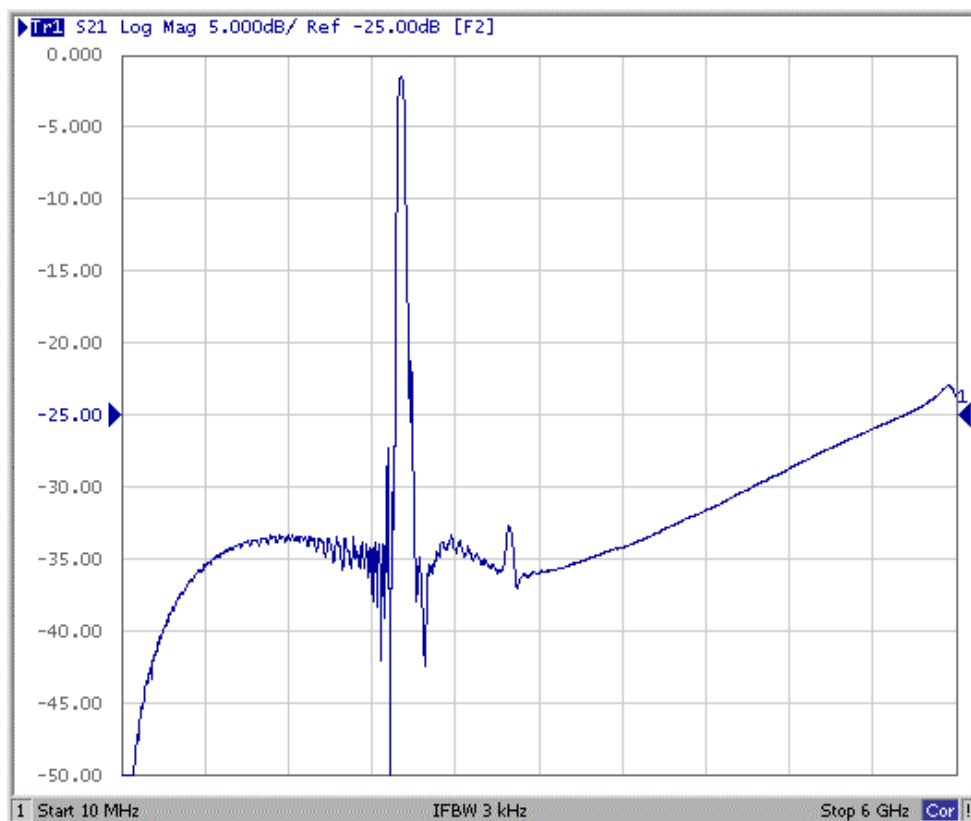
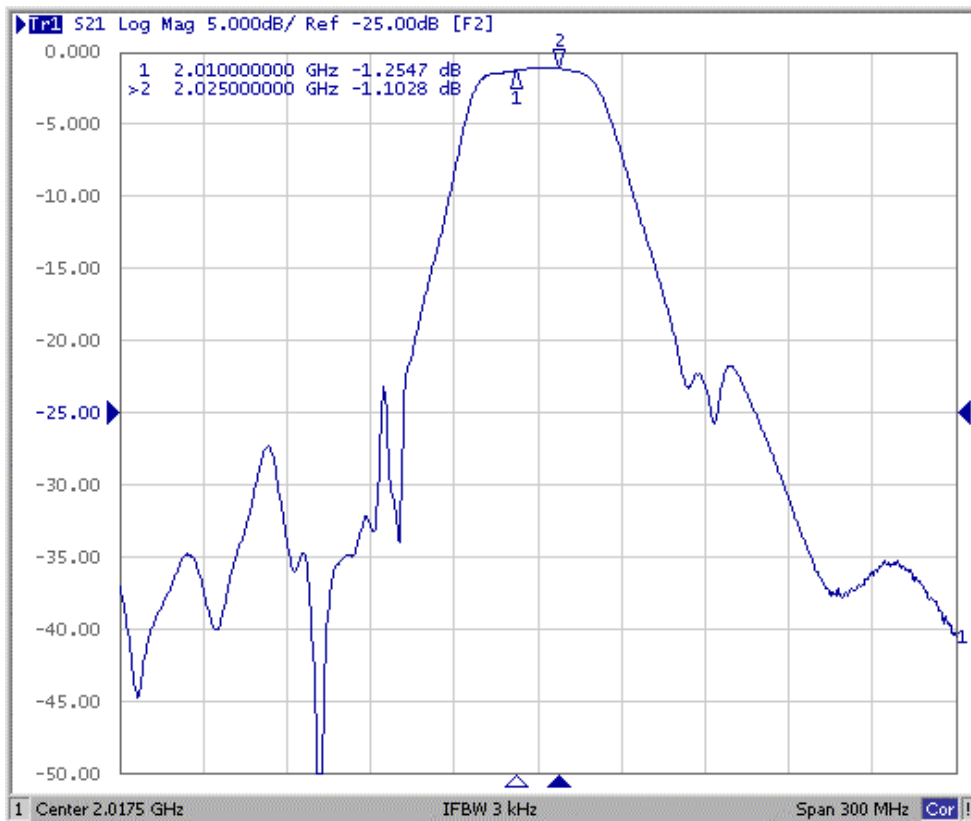
△ : Year Code (2006->6,...,2009->9)

□ : Date Code (W01->A,...W26->Z,W27->a,...,W52->z)

D. MEASUREMENT CIRCUIT:

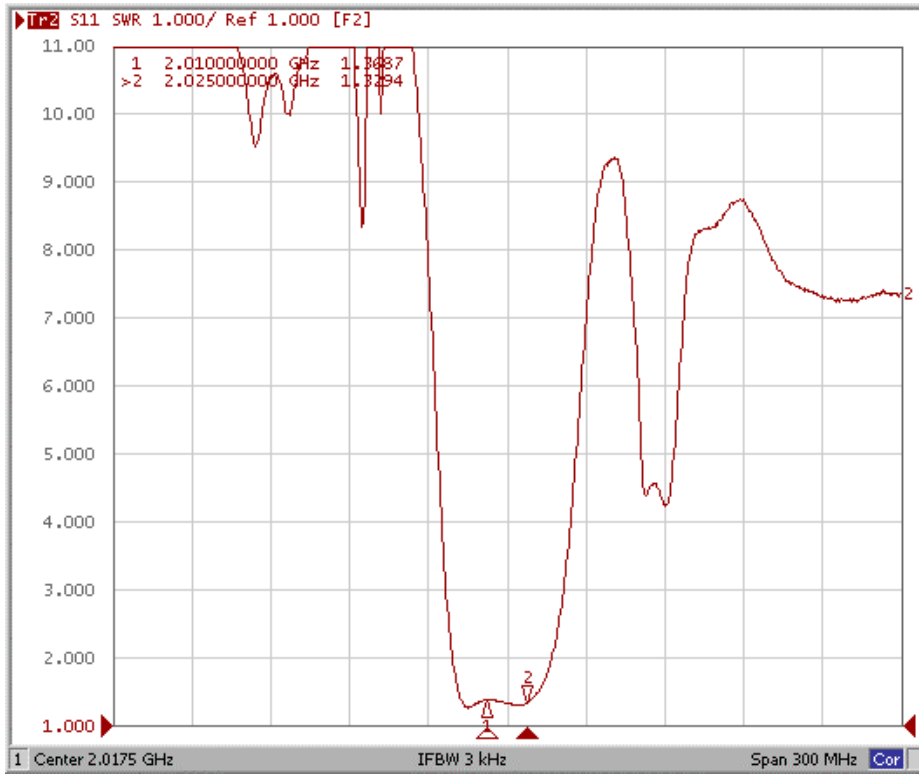


E. Frequency Characteristics :

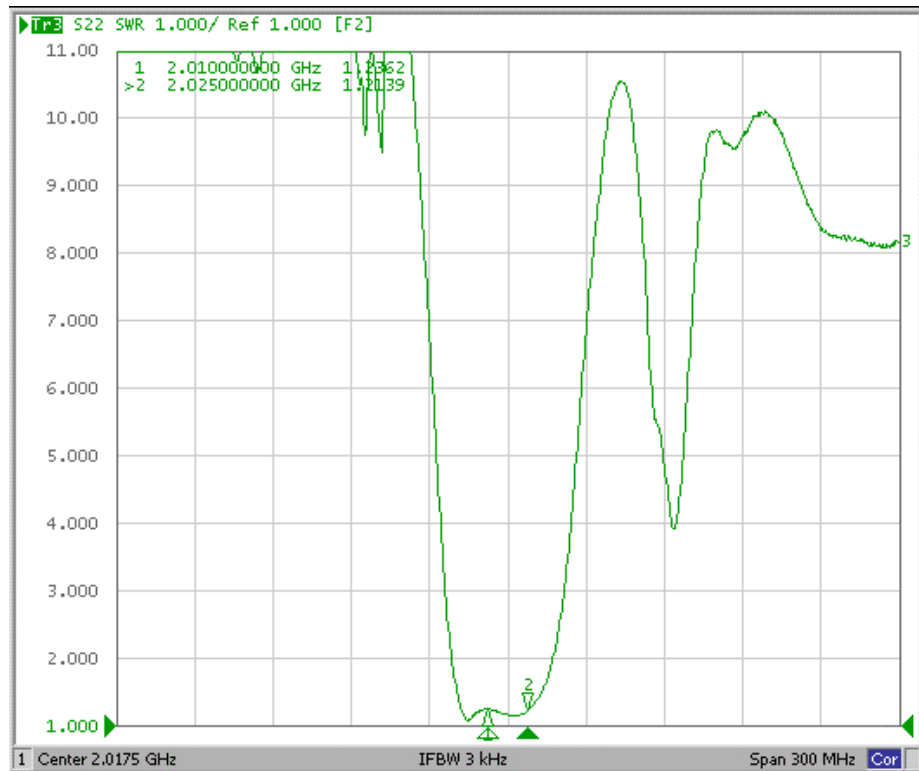


Reflection Functions :

S11



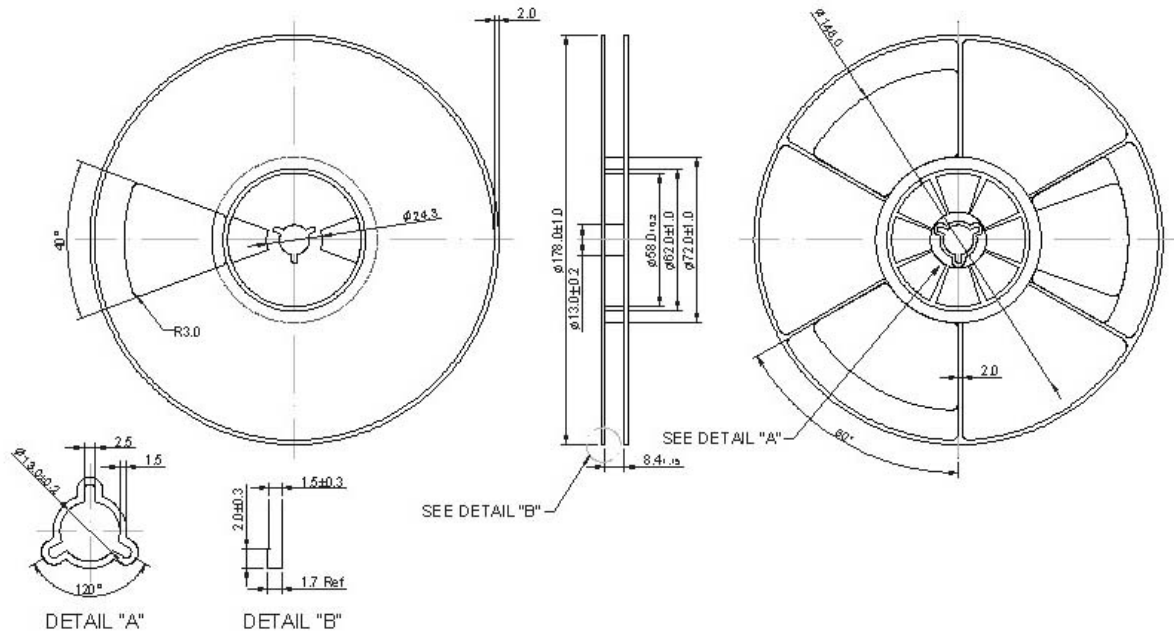
S22



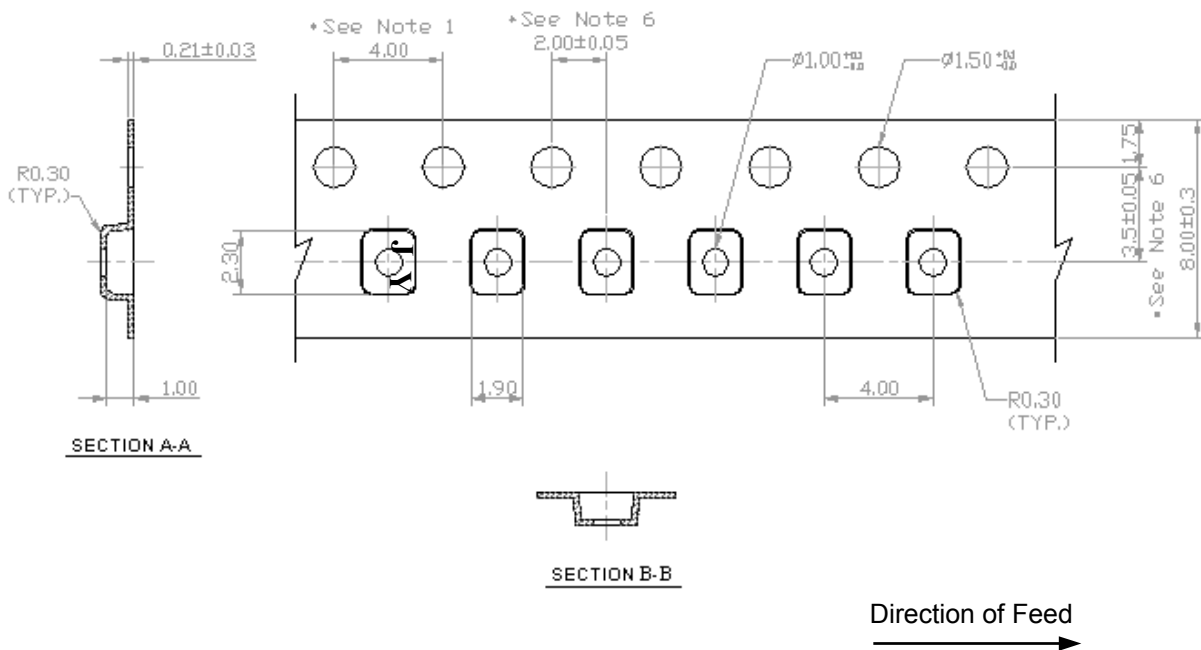
F. PACKING:

1. REEL DIMENSION

(Reel Count : 7"=2000 typ. ; 13"=10000 typ.)



2. TAPE DIMENSION



F. RECOMMENDED REFLOW PROFILE :

