

PLEASE CHECK WWW.MOLEX.COM FOR LATEST PART INFORMATION

Part Number: [0014600074](#)

Status: **Active**

Overview: [cgrid_sl_products](#)

Description: 2.54mm (.100") Pitch SL™ Insulation Displacement Connector Assembly, Female, Single Row, Version G, Positive Lock, Wire Size 26, 3.81µm (150µ") Tin/Lead (SnPb), 7 Circuits

Documents:

[3D Model](#)

[Drawing \(PDF\)](#)

[Product Specification PS-70400 \(PDF\)](#)

[RoHS Certificate of Compliance \(PDF\)](#)

Agency Certification

CSA LR19980
UL E29179

General

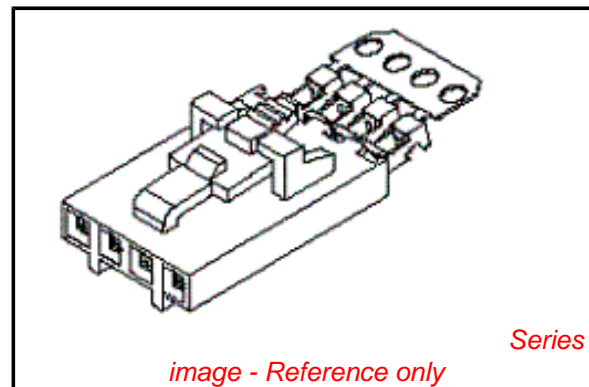
Product Family Ribbon Cable / Wire Trap Connectors
Series [70400](#)
Comments Terminals Preloaded
Component Type Housing
Glow-Wire Compliant No
Overview [cgrid_sl_products](#)
Product Name SL™

Physical

Circuits (Loaded) 7
Color - Resin Black
Durability (mating cycles max) 25
Entry Angle Vertical
Flammability 94V-0
Lock to Mating Part Yes
Material - Metal Phosphor Bronze
Material - Plating Mating Tin
Material - Plating Termination Tin
Material - Resin Polyester Alloy
Number of Rows 1
PCB Retention None
Packaging Type Tube
Pitch - Mating Interface (in) 0.100 In
Pitch - Mating Interface (mm) 2.54 mm
Plating min: Mating (µin) 150
Plating min: Mating (µm) 3.75
Plating min: Termination (µin) 75
Plating min: Termination (µm) 1.875
Polarized to Mating Part Yes
Stackable Yes
Surface Mount Compatible (SMC) N/A
Temperature Range - Operating -40°C to +105°C
Termination Interface: Style IDT or Pierce
Wire Insulation Diameter 1.35mm (.053") max.
Wire Size AWG 26
Wire/Cable Type Discrete Wire, Ribbon Cable

Electrical

Current - Maximum per Contact 3A
Voltage - Maximum 250V



EU RoHS

**ELV and RoHS
Compliant**
**REACH SVHC
Not Reviewed**
**Halogen-Free
Status**

China RoHS



**Need more information on product
environmental compliance?**

Email productcompliance@molex.com
For a multiple part number RoHS Certificate of
Compliance, [click here](#)

Please visit the [Contact Us](#) section for any
non-product compliance questions.

Search Parts in this Series

[70400Series](#)

Mates With

[70018](#) , [70107A/B](#), [70543](#), [70545](#) , [70553](#) ,
[70555](#)

Use With

[7307](#) Tinned 28AWG, [7767](#) Topcoat
28AWG, [24241](#) Tinned 26AWG, [8996](#)
Topcoat 26AWG, [24226](#) Tinned 24AWG,
[8997](#) Topcoat 24AWG, [24369](#) High Flex
26AWG, [24389](#) High Flex 24AWG

Application Tooling | FAQ

*Tooling specifications and manuals are
found by selecting the products below.
Crimp Height Specifications are then
contained in the Application Tooling
Specification document.*

Global

Description	Product #
Hawk Semi- Automatic Discrete	0011201337

Material Info

Old Part Number 70400-0321

Reference - Drawing Numbers

Product Specification PS-70400
Sales Drawing SDA-70400-0316-0339

Wire Terminator for
SL - Rebuilt US*
Hawk™ Ribbon 0623003000
Cable Terminator for
SL without Break-off
Hawk™ Semi- 0623004900
Automatic Discrete
Wire Terminator
for SL - Rebuilt CE
Approved*
Hawk™ Flat Flex 0623005200
Cable Terminator for
SL with Break-off
Hawk™ Ribbon 0623005300
Cable Terminator
with for SL Break-off
Hawk™ Semi- 0623003100
Automatic Discrete
Wire Terminator for
SL

This document was generated on 05/31/2010

PLEASE CHECK WWW.MOLEX.COM FOR LATEST PART INFORMATION

OPTION G

NOTES:

- TO BE USED WITH (26) AWG. STRANDED WIRE WITH (1.35)/.053 DIA. MAX. INSULATION.
- SEE CHART FOR CIRCUIT SIZES.
- STANDARD PACKAGING PER PK-70873-0001. OPTIONAL PACKAGING MAY BE AVAILABLE, REQUEST DWG. PK-70400
- PARTS STACKABLE END TO END ON (2.54)/.100 CENTERS.
- REFER TO PRODUCT SPECIFICATION: PS-70400.
- SEE DWG. SDA-70400-**** (SHT. 5) FOR OPTIONAL HOUSING DETAILS.
- 4 CIRCUIT SHOWN. 4 - 25 CKT'S. HAVE (2) RIBS.
- TO MATE WITH MOLEX PART NO'S.: A-70373-****, A-70375-****, A-70389-****, A-70391-****, 70107-****, 70018-****, A-70543-****, A-70553-****, A-70541-****, A-70551-****, A-70545-****, A-70555-****.
- 2 CIRCUIT ASSEMBLIES SUPPLIED AS GROUPED PAIRS.



SECTION C-C

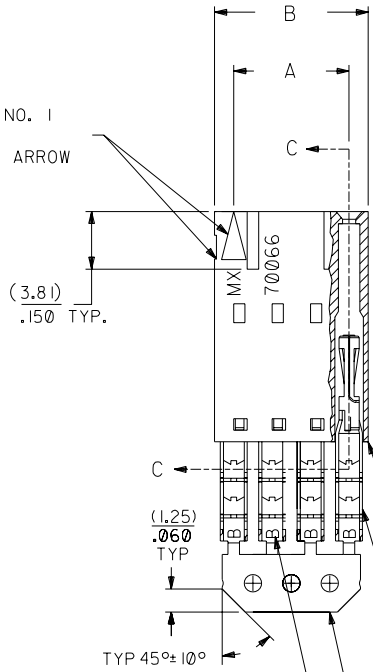
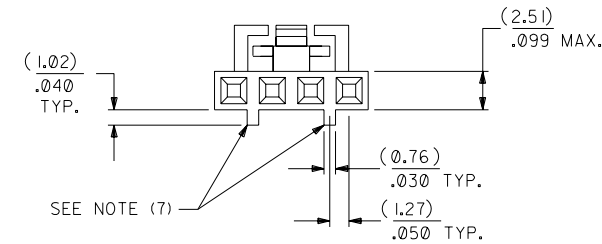


HOUSING PART NO. 70066-****
MATERIAL: G.F. POLYESTER, 94V-0

TERMINAL PART NO. 70028-****
MATERIAL: PHOSPHOR BRONZE
PLATING PER ES-88-***

TIN - .000150 MIN. TIN OVER
.000050 MIN. NICKEL PLATE.

CIRCUIT NO. 1
SLOT OR ARROW



I.D. SLOT CODE TO WIRE GAUGE CHART	
I.D. SLOT CODE	WIRE GAUGE
B	26 AWG.

PLATING CODE (STRIPE ON CARRIER STRIP)	
PLATING	COLOR
TIN	NONE

CKT. SIZE	A	B	EDP. NO.	ENG. NO.
2	(2.54) .100	(5.05) .199	14-60-0024	A-70400-0316
3	(5.08) .200	(7.59) .299	14-60-0034	A-70400-0317
4	(7.62) .300	(10.13) .399	14-60-0044	A-70400-0318
5	(10.16) .400	(12.67) .499	14-60-0054	A-70400-0319
6	(12.70) .500	(15.21) .599	14-60-0064	A-70400-0320
7	(15.24) .600	(17.75) .699	14-60-0074	A-70400-0321
8	(17.78) .700	(20.29) .799	14-60-0084	A-70400-0322
9	(20.32) .800	(22.83) .899	14-60-0094	A-70400-0323
10	(22.86) .900	(25.37) .999	14-60-0104	A-70400-0324
11	(25.54) 1.000	(27.91) 1.099	14-60-0114	A-70400-0325
12	(27.94) 1.100	(30.45) 1.199	14-60-0124	A-70400-0326
13	(30.48) 1.200	(32.99) 1.299	14-60-0134	A-70400-0327
14	(33.02) 1.300	(35.53) 1.399	14-60-0144	A-70400-0328
15	(35.56) 1.400	(38.07) 1.499	14-60-0154	A-70400-0329
16	(38.01) 1.500	(40.61) 1.599	14-60-0164	A-70400-0330
17	(40.64) 1.600	(43.15) 1.699	14-60-0174	A-70400-0331
18	(43.18) 1.700	(45.69) 1.799	14-60-0184	A-70400-0332
19	(45.72) 1.800	(48.23) 1.899	14-60-0194	A-70400-0333
20	(48.26) 1.900	(50.77) 1.999	14-60-0204	A-70400-0334
21	(50.80) 2.000	(53.31) 2.099	14-60-0214	A-70400-0335
22	(53.34) 2.100	(55.85) 2.199	14-60-0224	A-70400-0336
23	(55.88) 2.200	(58.39) 2.299	14-60-0234	A-70400-0337
24	(58.42) 2.300	(60.93) 2.399	14-60-0244	A-70400-0338
25	(60.96) 2.400	(63.47) 2.499	14-60-0254	A-70400-0339

*THE PRIMARY SHIPPING CARTON WILL BE LABELED "COMPLIANT TO
ROHS DIRECTIVE 2002/95/EC AND ELV ANNEX II OF DIRECTIVE 2000/53/EC".
CARTONS WITHOUT THIS LABEL MAY CONTAIN PRODUCT WITH LEAD.

I	LEAD FREE UCP2004-1769 RWHITE 04/03/17	E	REVISED PER ECR NO. U82110 10-17-88 AAB	DIMENSIONS SHOWN (METRIC) INCH UNLESS OTHERWISE SPECIFIED TOLERANCES: ANGULAR ± 1/2°		▽ = ▼ =	REVISE ONLY ON CAD SYSTEM
HI	ADD CARRIER CHAMF ECN #UDT1998-0280 05/20/98 LMCGRATH	D	REVISE PER ECR #U80110 2/3/88 MJM	INCH METRIC 3 PLACE ± .010 --- 2 PLACE ± .014 ± 0.25 1 PLACE --- ± 0.35		TITLE ASSEMBLY, SL CONNECTOR (SINGLE ROW- (2.54)/.100 GRID)	
F	REVISED PER ECN# U90726	C	REDRAWN ON CAD ECR# 8842 5/9/86 W.Z.	DRAFT WHERE APPLICABLE MUST REMAIN WITHIN DIMENSIONS		MOLEX INCORPORATED SHEET NO. DATE LITSE,ILL. 60532 U.S.A. 10/09/84	
LTR.	REVISIONS	LTR.	REVISIONS	DRWG. BY WAZ	CHK'D. BY WAZ	PART NO. DRWG. NO. SEE CHART SDA-70400-0316-0339	
				APP'D. BY	SCALE	THIS DRAWING CONTAINS INFORMATION THAT IS PROPRIETARY TO MOLEX INC. AND SHOULD NOT BE USED WITHOUT WRITTEN PERMISSION.	
					4 : 1	FILE NAME S70400GK2	DIV. SIZE DA C