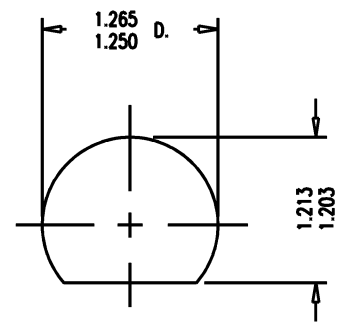
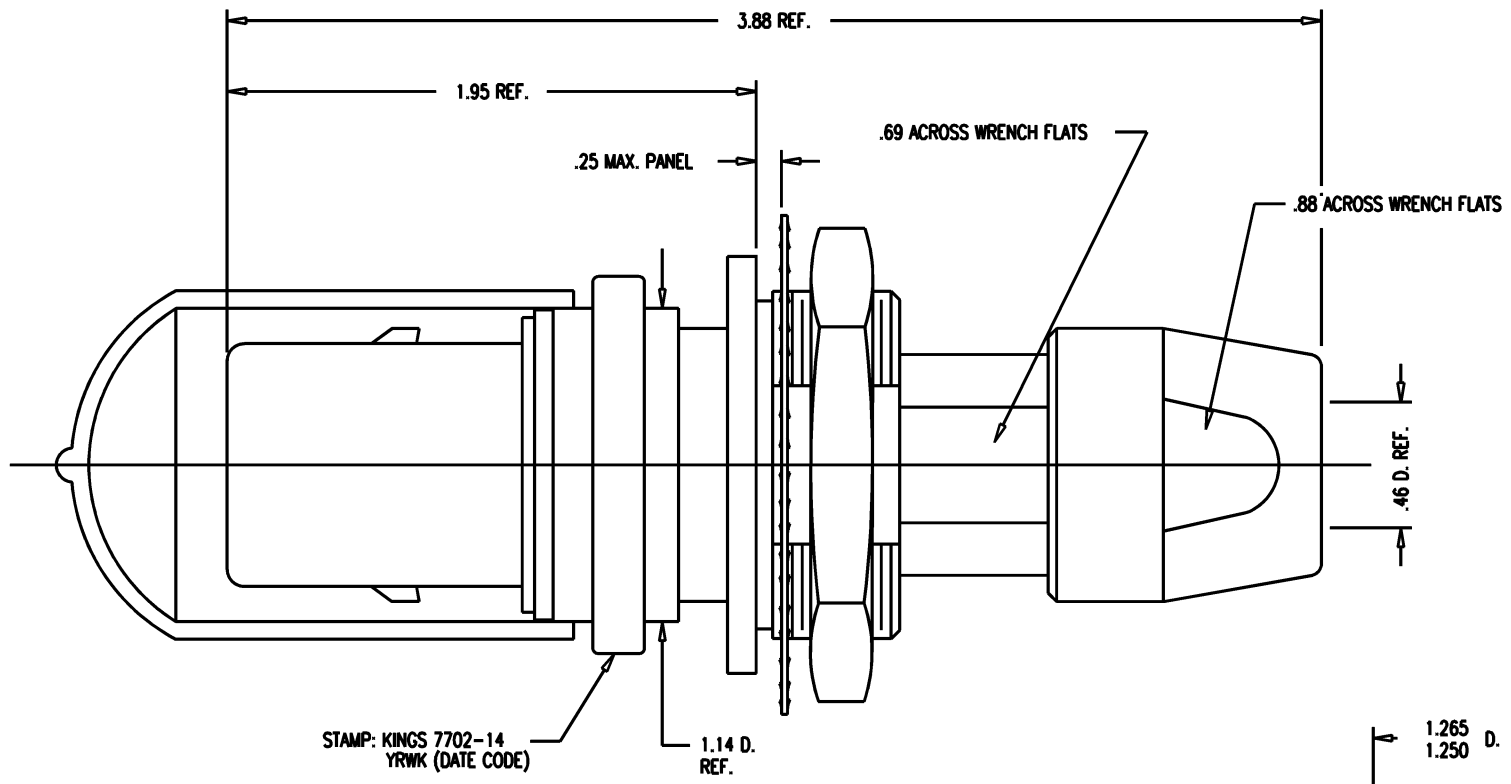


DASH NO.	M CODE	MADE FROM
----------	--------	-----------

# GSD

7702-14

REVISIONS	
ISSUE	CHANGES
0	ER 36992 KH 06/05/96
1	CN 37012 E KH 06/18/96
2	CN 38154 C BDH 12/14/00



MOUNTING HOLE

# GSD

**NOTES:**

- FOR USE WITH BELDEN 1859A (79 CABLE GROUP).
- FOR CABLING INSTRUCTIONS SEE KAI-8011.
- FOR CRIMPING USE DIE SIZE 2040.

**4. MATERIALS:**

INSULATORS-TEFLON, ASTM-D-4894  
 LOCKWASHER-SPRING STEEL, PER ASTM A682  
 CONDUCTIVE GASKET-CONSIL C 87-10004, 60-70 DUROMETER  
 GASKETS-SILICONE RUBBER, ZZ-R-765  
 CAP-VINYL  
 K-GRIP SLEEVE-COMMERCIAL BRONZE, ASTM-B-135  
 OUTER CONTACT-PHOSPHOR BRONZE, ASTM-B-103  
 BODY-BER. COP., ASTM-B-196  
 ALL OTHER METAL PARTS-BRASS, ASTM-B16

**5. FINISHES:**

CENTER CONTACT-GOLD PLATE PER MIL-G-45204  
 LOCKWASHER  
 NUTS  
 COLLET  
 OUTER BODIES  
 BODY RING  
 ALL OTHER METAL PARTS-SILVER PLATE PER QQ-S-365

} KINGS TARNISH RESISTANT NICKEL FINISH (TR-5)

**6. ELECTRICAL CHARACTERISTICS:**

NOMINAL IMPEDANCE: 75 OHMS  
 FREQUENCY RANGE: DC-500 MHZ  
 VOLTAGE BREAKDOWN: CENTER CONDUCTOR/INNER GROUND: 1500 VRMS  
 INNER GROUND/OUTER GROUND: 500 VRMS

KAM6636

SCALE 2:1
APPROX SURFACE AREA
WAS: E-19365
USED ON
REF:
PL, BKHD, TRI-LOC SERIAL DIGITAL
DRAWN KH 08/31/96
DESIGN DW 08/31/96
APPR. DATE

**KINGS**  
 ELECTRONICS CO., INC.  
 ROCK HILL, SOUTH CAROLINA 29730

7702-14