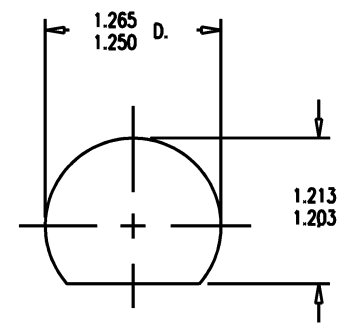
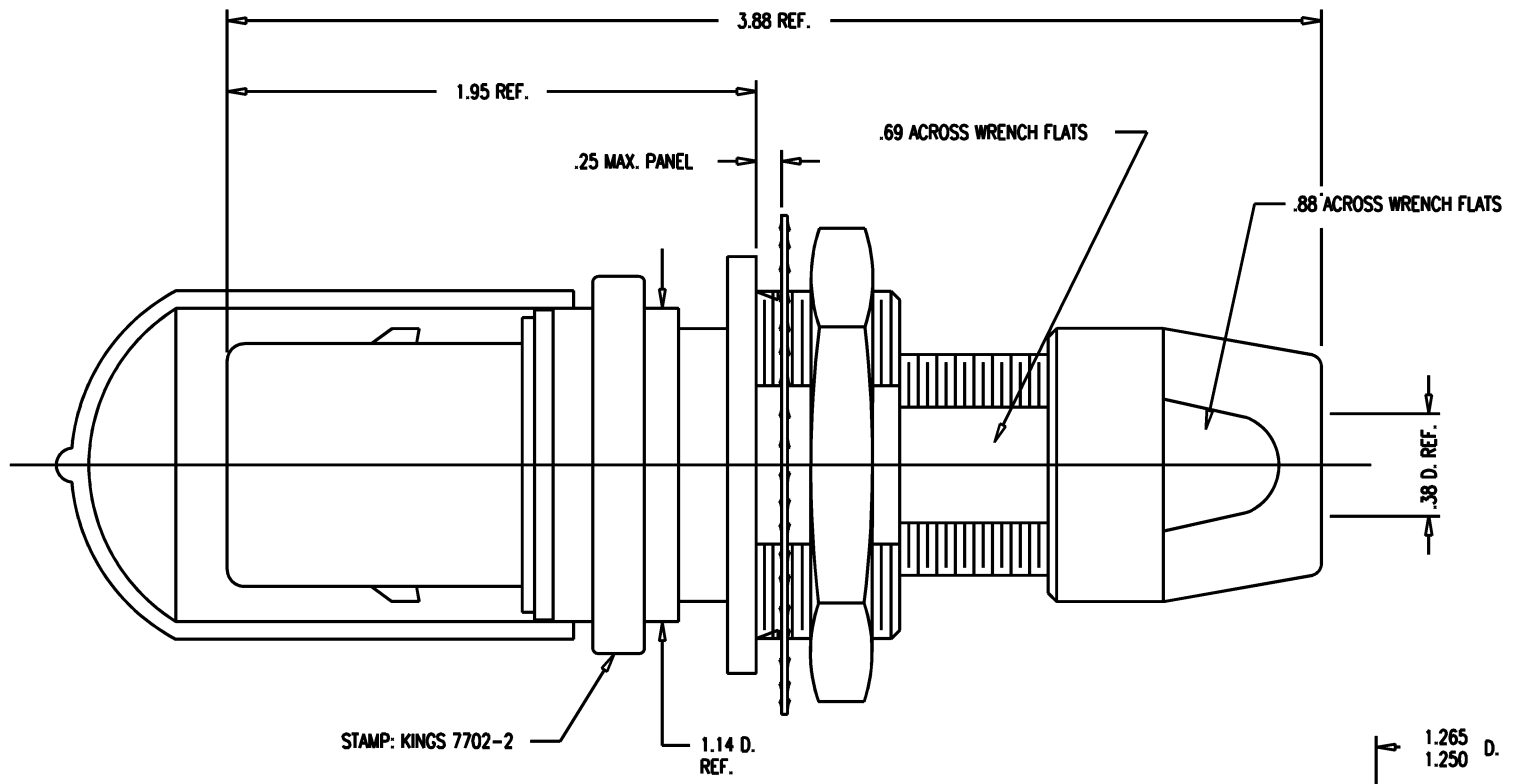


DASH NO.	M CODE	MADE FROM
----------	--------	-----------

GSD

7702-2

REVISIONS	
ISSUE	CHANGES
0	ER 35428 KH 04/13/95
1	CN 39531 C AM 07/12/06
2	CN 39576 E AM 08/16/06



MOUNTING HOLE

GSD

NOTES:

1. FOR USE WITH 730 CABLE GROUPS.
2. FOR CABLING INSTRUCTIONS SEE KAI-8010.
3. FOR CABLE TRIMMING USE KTJ-303 AND KTD-303.
4. FOR CRIMPING USE DIE KTH-2002.

5. MATERIALS:

- INSULATORS-TEFLON, ASTM-D-4894
- LOCKWASHER-SPRING STEEL, PER ASTM A682
- CONDUCTIVE GASKET-CONSIL C 87-10004, 60-70 DUROMETER
- GASKETS-SILICONE RUBBER, ZZ-R-765
- CAP-VINYL
- K-GRIP SLEEVE-COMMERCIAL BRONZE, ASTM-B-135
- OUTER CONTACT-PHOSPHOR BRONZE, ASTM-B-103
- BODY-BER. COP., ASTM-B-196
- ALL OTHER METAL PARTS-BRASS, ASTM-B16

6. FINISHES:

- CENTER CONTACT-GOLD PLATE PER MIL-G-45204
 - LOCKWASHER
 - NUTS
 - COLLET
 - OUTER BODIES
 - BODY RING
 - ALL OTHER METAL PARTS-SILVER PLATE PER QQ-S-365
- } KINGS TARNISH RESISTANT NICKEL FINISH (TR-5)

7. ELECTRICAL CHARACTERISTICS:

- NOMINAL IMPEDANCE: 75 OHMS
- FREQUENCY RANGE: DC-500 MHZ
- VOLTAGE BREAKDOWN: CENTER CONDUCTOR/INNER GROUND: 1500 VRMS
- INNER GROUND/OUTER GROUND: 500 VRMS

SCALE 2:1	
APPROX SURFACE AREA	
USED ON	
REF: KP-8012-737-400	
PLUG, BULKHEAD, TRI-LOC SERIAL DIGITAL	
DRAWN KH	04/13/95
DESIGN DW	07/17/95
APPR.	DATE
 ROCK HILL, SOUTH CAROLINA 29730	
7702-2	