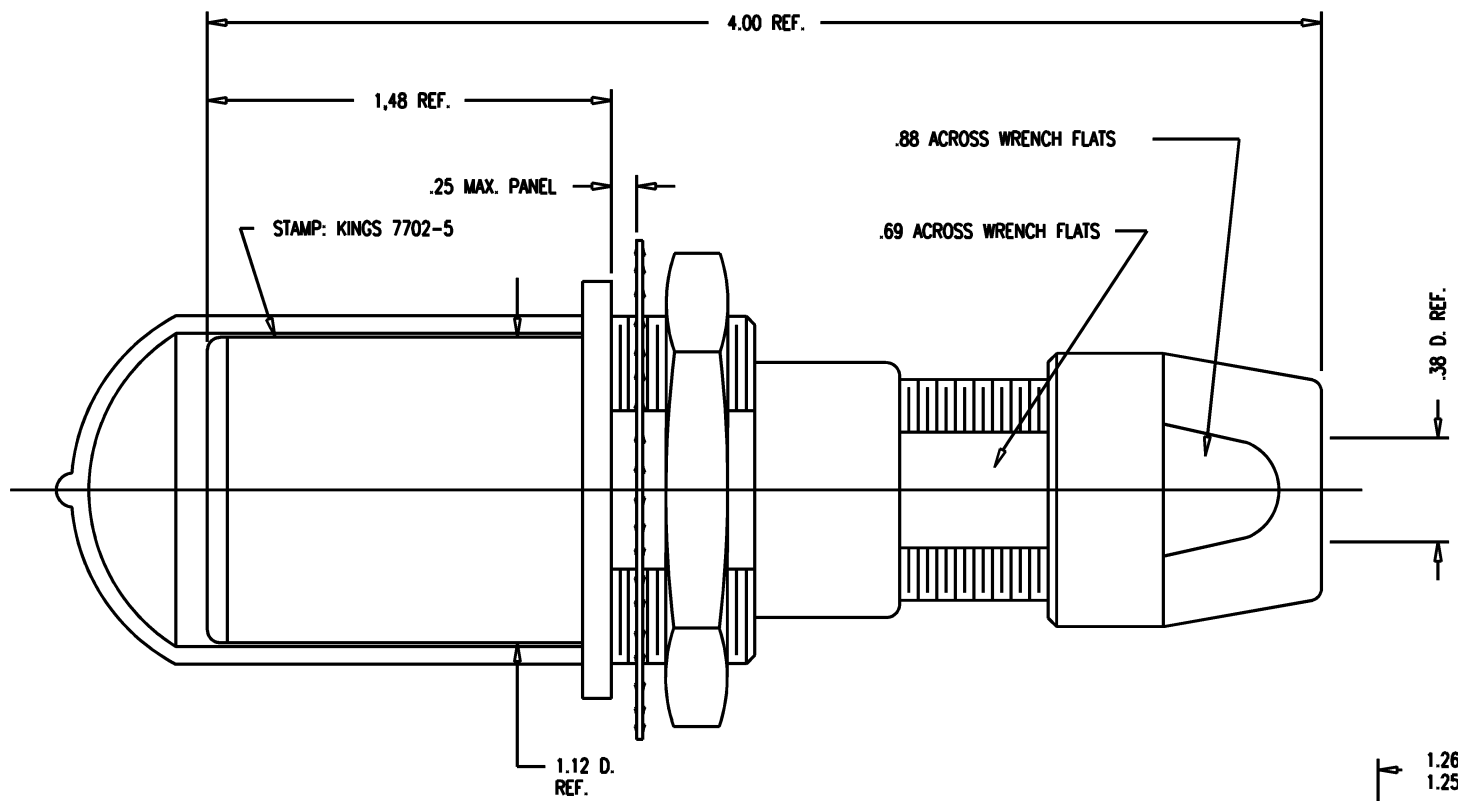


DASH NO.	M CODE	MADE FROM
----------	--------	-----------

GSD

7702-5

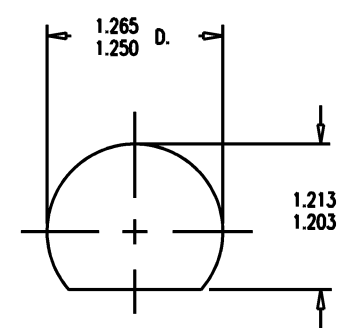
REVISIONS	
ISSUE	CHANGES
0	ER 35431 KH 04/17/95
1	CN 37238 D KH 02/03/97
2	CN 39206 C HVN 01/15/05
3	CN 39531 C AM 07/12/06



NOTES:

- FOR USE WITH 730 CABLE GROUPS.
- FOR CABLING INSTRUCTIONS SEE KAI-8010.
- FOR CABLE TRIMMING USE KTJ-303 AND KTD-303.
- FOR CRIMPING USE DIE KTH-2002.
- MATERIALS:
 - INSULATORS-TEFLON, ASTM-D-8494
 - LOCKWASHER-SPRING STEEL, PER ASTM A682
 - GASKETS-SILICONE RUBBER, ZZ-R-765
 - CAP-VINYL
 - K-GRIP SLEEVE-COMMERCIAL BRONZE, ASTM-B-135
 - CENTER CONTACT
 - OUTER CONTACT SPRING } BER. COP., ASTM-B-196
 - INSERT
 - ALL OTHER METAL PARTS-BRASS, ASTM-B16

- FINISHES:
 - CENTER CONTACT
 - OUTER CONTACT SPRING } GOLD PLATE PER MIL-G-45204
 - LOCKWASHER
 - NUTS
 - COLLET
 - BODIES } KINGS TARNISH RESISTANT NICKEL FINISH (TR-5)
 - ALL OTHER METAL PARTS-SILVER PLATE PER QQ-S-365
- ELECTRICAL CHARACTERISTICS:
 - NOMINAL IMPEDANCE: 75 OHMS
 - FREQUENCY RANGE: DC-500 MHZ
 - VOLTAGE BREAKDOWN: CENTER CONDUCTOR/INNER GROUND: 1500 VRMS
 - INNER GROUND/OUTER GROUND: 500 VRMS



MOUNTING HOLE

GSD

SCALE 2:1	
APPROX SURFACE AREA	
USED ON	
REF: KP-8022-737-400	
JACK, BULKHEAD, TRI-LOC SERIAL DIGITAL	
DRAWN KH	DATE 04/17/95
DESIGN DW	DATE 04/18/95
APPR.	DATE
 ROCK HILL, SOUTH CAROLINA 29730	
7702-5	