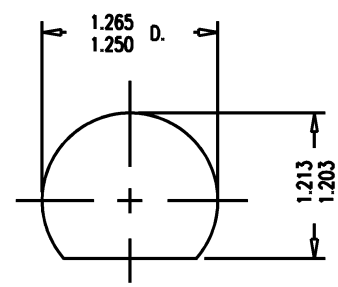
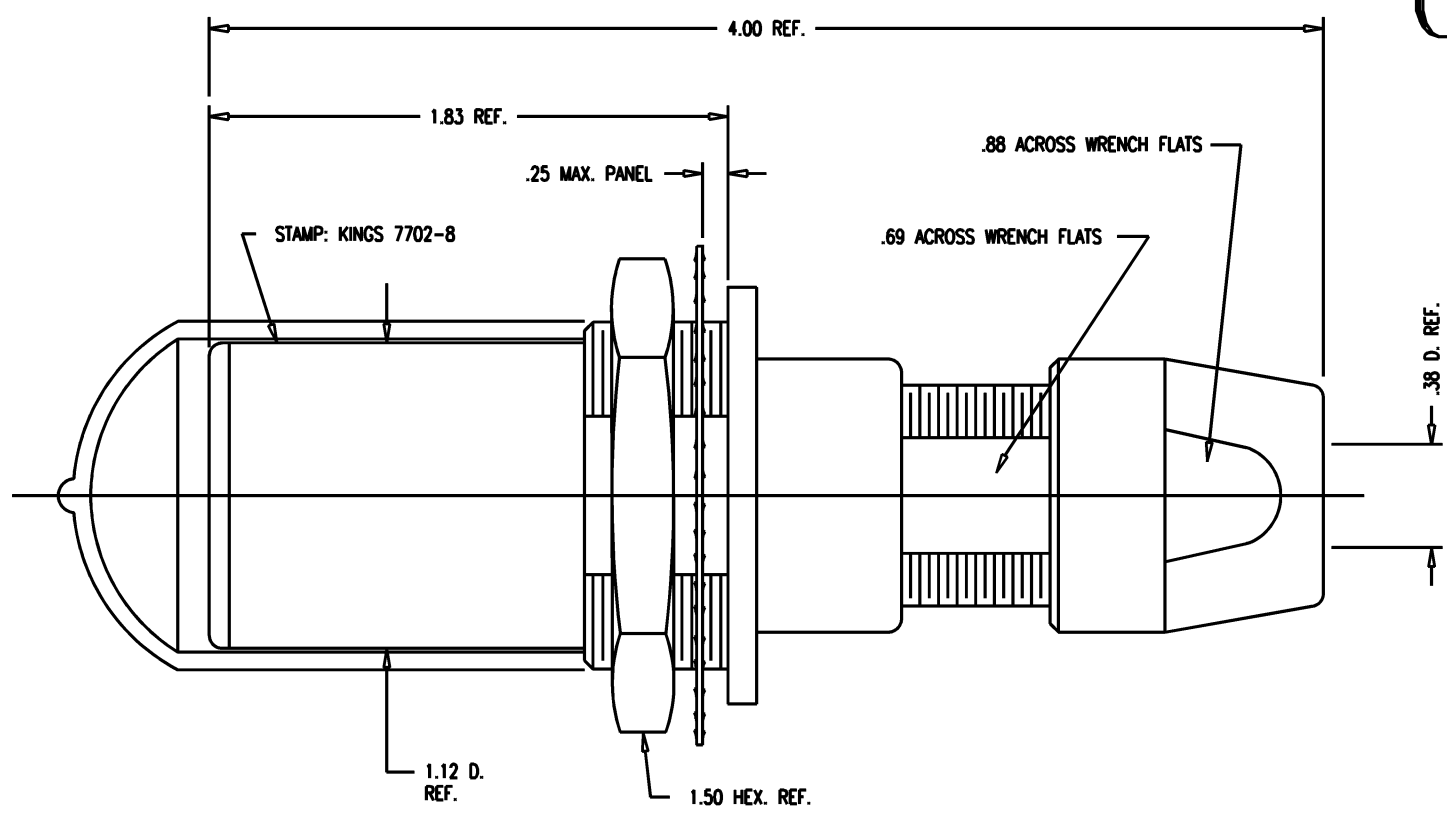


DASH NO.	M CODE	MADE FROM
----------	--------	-----------

GSD

7702-8

REVISIONS	
ISSUE	CHANGES
0	ER 35434 KH 04/17/95
1	CN 37238 D KH 02/03/97
2	CN 39531 C AM 07/12/06
3	CN 39576 E AM 08/16/06



MOUNTING HOLE

GSD

NOTES:

- FOR USE WITH 730 CABLE GROUP.
- FOR CABLING INSTRUCTIONS SEE KAI-8010.
- FOR CABLE TRIMMING USE KTJ-303 AND KTD-303.
- FOR CRIMPING USE DIE KTH-2002.
- MATERIALS:**
 INSULATORS-TEFLON, ASTM-D-1457
 LOCKWASHER-SPRING STEEL, ASTM-A-682
 GASKETS-SILICONE RUBBER, ZZ-R-765
 CAP-VINYL
 K-GRIP SLEEVE-COMMERCIAL BRONZE, ALLOY 220
 CENTER CONTACT
 OUTER CONTACT SPRING } BER. COP., ASTM-B-196
 INSERT
 ALL OTHER METAL PARTS-BRASS, QQ-B-626

- FINISHES:**
 CENTER CONTACT
 OUTER CONTACT SPRING } GOLD PLATE PER MIL-G-45204
 LOCKWASHER }
 NUTS } KINGS TARNISH RESISTANT FINISH (TR-5)
 COLLET }
 BODIES }
 ALL OTHER METAL PARTS-SILVER PLATE PER QQ-S-365
- ELECTRICAL CHARACTERISTICS:**
 NOMINAL IMPEDANCE: 75 OHMS
 FREQUENCY RANGE: DC-500 MHZ
 VOLTAGE BREAKDOWN: CENTER CONDUCTOR/INNER GROUND: 1500 VRMS
 INNER GROUND/OUTER GROUND: 500 VRMS

SCALE 2:1	
APPROX SURFACE AREA	
USED ON	
REF: KP-8021-737-400	
JACK, BULKHEAD, TRI-LOC SERIAL DIGITAL	
DRAWN KH	DATE 04/17/95
DESIGN DW	DATE 04/18/95
APPR.	DATE
 KINGS ELECTROFORMER CO., INC. ROCK HILL, SOUTH CAROLINA 29730	
7702-8	