

# 10/100BASE-TX QUAD PORT TRANSFORMER

■ Meets all IEE 802.3u and ANSI X3.263 standards including 350  $\mu$ H OCL with 8 mA bias

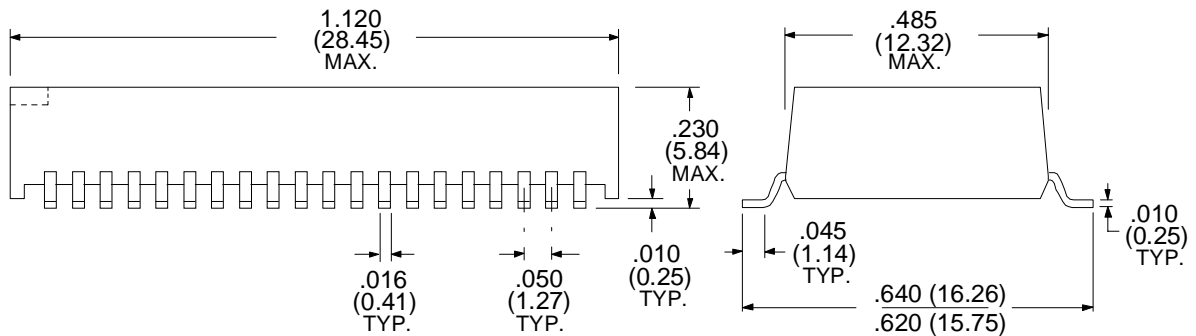
■ Model designed to support four single or double stacked RJ-45 connectors

## Electrical Specifications at 25° C

Part Number	Insertion Loss (dB TYP.)	Return Loss (dB MIN.)				Crosstalk (dB TYP.)				Common to common Rejection Ratio 0.1-60MHz(dB typ.)		Differential to Common Mode Rejection (dB typ.)	
		.1-100MHz	2-30MHz	40MHz	50MHz	60-80MHz	1MHz	30MHz	60MHz	100MHz	Transmit	Receive	1-60MHz
T-17100	-0.5	-21	-17	-14.5	-12	-65	-55	-45	-35	-30	-30	-40	-30
T-17101	-0.5	-21	-17	-14.5	-12	-65	-55	-45	-35	-30	-30	-40	-30
T-17102	-0.5	-21	-17	-14.5	-12	-65	-50	-40	-30	-30	-30	-40	-30
T-17103	-0.5	-21	-17	-14.5	-12	-65	-50	-40	-30	-30	-30	-40	-30
T-17104	-0.5	-21	-17	-14.5	-12	-65	-55	-45	-35	-30	-30	-40	-30
T-17105	-0.5	-21	-17	-14.5	-12	-65	-50	-40	-30	-30	-30	-40	-30

Dimensions in inches (mm)

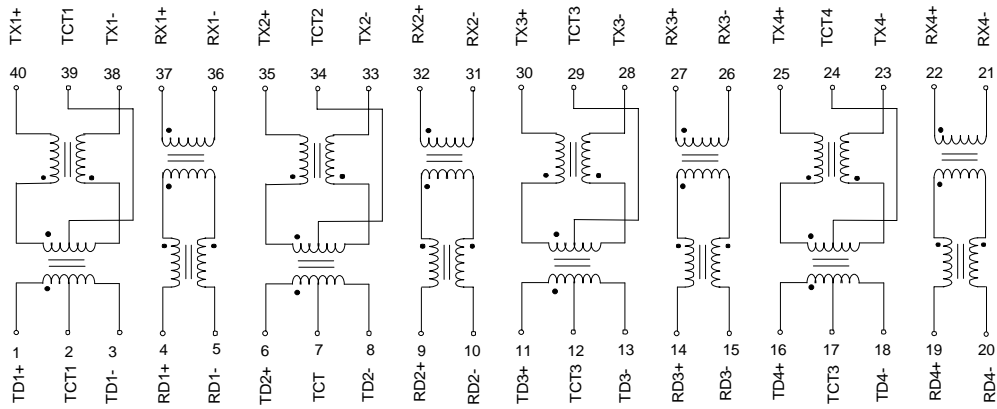
Tape and Reel available.



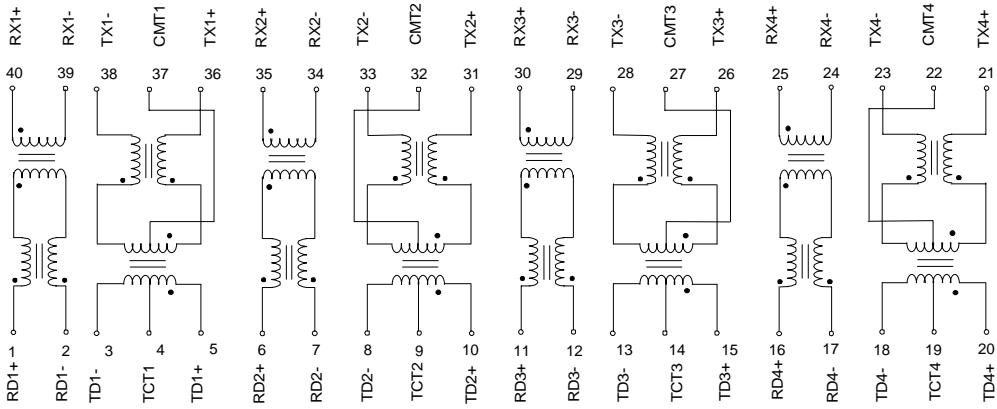
100-qp40

# SCHEMATICS

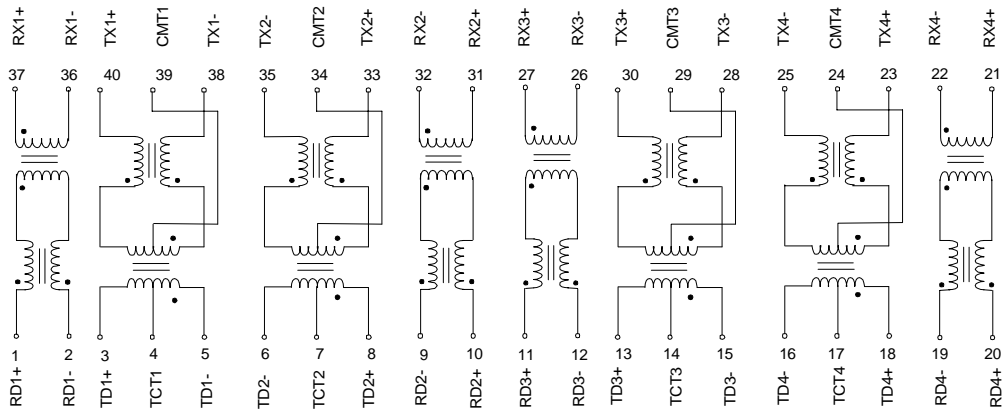
## T-17100



## T-17101

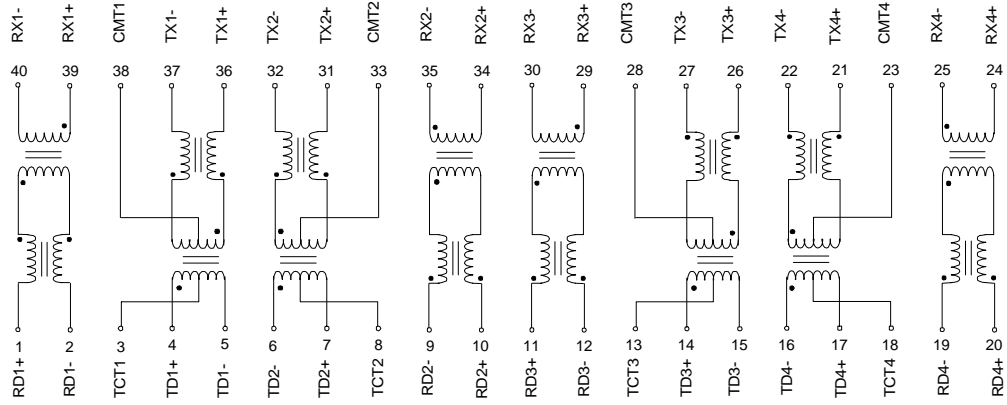


## T-17102

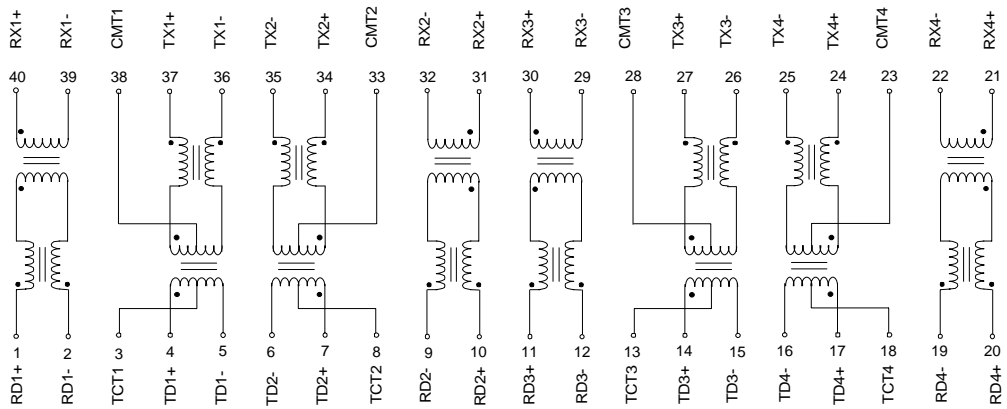


# SCHEMATICS

## T-17103



## T-17104



## T-17105

