

X02 Series



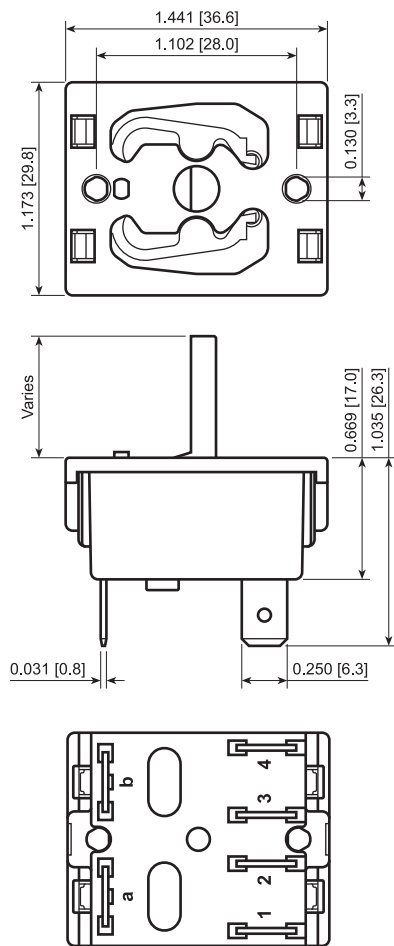
High Temperature



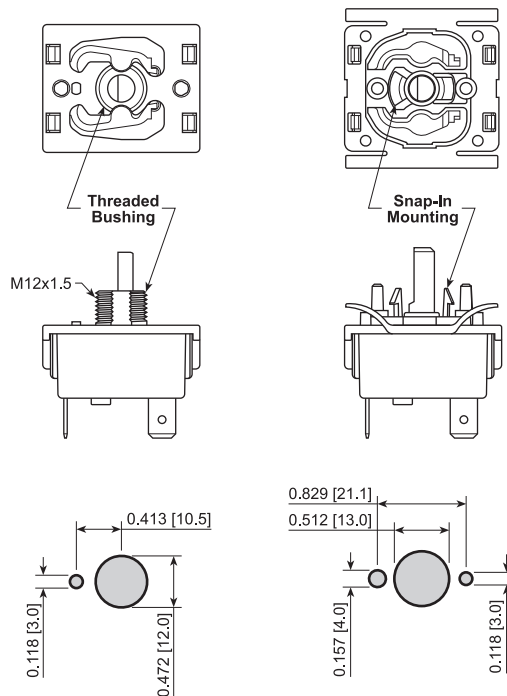
Heavy Duty



Rear Panel Mount



Mounting Options



FEATURES:

- Up To 4 Circuits
- Multiple Terminal & Actuator Options
- Housing Made of Rugged Glass Reinforced Nylon

SPECIFICATIONS:

RATING: 10A 125VAC [cULus]

1/4HP 125VAC [cULus]

10(3)A 250V [ENEC]

6(1.8)A 400V [ENEC]

ELECTRICAL LIFE: 300,000 Cycles

TEMPERATURE RATING: -20°C to 125°C

CONTACT RESISTANCE: 35mΩ Max. at 50VAC

INSULATION RESISTANCE: 100MΩ Min. at 500VAC

DIELECTRIC STRENGTH: 1,500VAC for 1 Minute

MATERIALS:

Body: Polyamide 6/6, UL94 V-2

ACTUATOR: Polyamide 6/6, UL94 V-2

CONTACTS: Silver

MOBILE CONTACTS: Silver

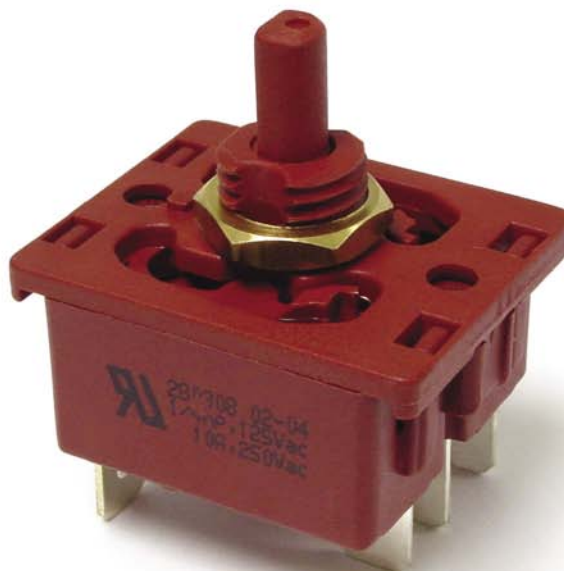
TERMINALS: Silver Plated Brass

SPRINGS: Piano Wire

Copper

HARDWARE: Brass

SPECIFICATIONS SUBJECT TO CHANGE WITHOUT NOTICE



ROTARY

EXAMPLE PART NUMBERS:

28-03081

1P3T

45° Index, 1: AB1, 2: AB2, 3: AB3