

PLEASE CHECK WWW.MOLEX.COM FOR LATEST PART INFORMATION

Part Number: [0353010650](#)
Status: **Active**
Description: 2.50mm (.098") Pitch SPOX™ Wire-to-Board Header, Vertical, Shrouded, Tube Packaged Version of 5267, 6 Circuits, Tin (Sn) Plating, with Swaged PC Tails

Documents:

[3D Model](#) [Product Specification PS-35301-001 \(PDF\)](#)
[Drawing \(PDF\)](#) [RoHS Certificate of Compliance \(PDF\)](#)

Agency Certification

CSA LR 19980
 UL E29179

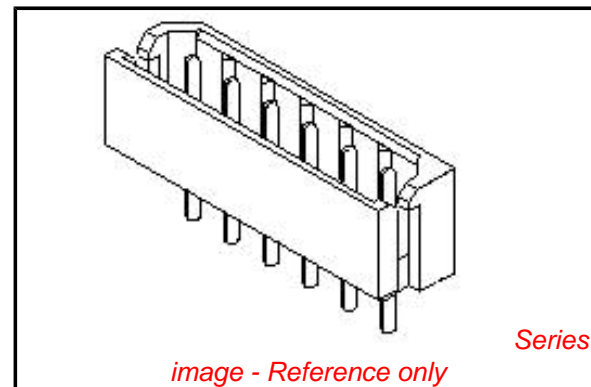
General

Product Family PCB Headers
 Series [35301](#)
 Application Wire-to-Board
 Product Name SPOX™

Physical

Breakaway No
 Circuits (Loaded) 6
 Circuits (maximum) 6
 Color - Resin Natural
 Durability (mating cycles max) 30
 First Mate / Last Break No
 Flammability 94V-0
 Glow-Wire Compliant No
 Guide to Mating Part No
 Keying to Mating Part None
 Lock to Mating Part Yes
 Material - Plating Mating Tin
 Material - Plating Termination Tin
 Material - Resin Nylon
 Number of Rows 1
 Orientation Vertical
 PCB Locator No
 PCB Retention Yes
 PCB Thickness Recommended (in) 0.062 In
 PCB Thickness Recommended (mm) 1.60 mm
 Packaging Type Tube
 Pitch - Mating Interface (in) 0.098 In
 Pitch - Mating Interface (mm) 2.50 mm
 Plating min: Mating (µin) 160
 Plating min: Mating (µm) 4
 Plating min: Termination (µin) 160
 Plating min: Termination (µm) 4
 Polarized to Mating Part Yes
 Polarized to PCB No
 Shrouded Partial
 Stackable No
 Surface Mount Compatible (SMC) No
 Temperature Range - Operating -40°C to +105°C
 Termination Interface: Style Through Hole

Electrical



EU RoHS

ELV and RoHS Compliant
REACH SVHC
 Not Reviewed
Halogen-Free Status
Not Reviewed

China RoHS



Need more information on product environmental compliance?

Email productcompliance@molex.com
 For a multiple part number RoHS Certificate of Compliance, [click here](#)

Please visit the [Contact Us](#) section for any non-product compliance questions.

Search Parts in this Series

[35301Series](#)

Mates With

[5264](#) SPOX™ Wire-to-Board Crimp Housing. [42219](#) SPOX™ IDT Receptacle Housing

Current - Maximum per Contact
Voltage - Maximum

3A
250V

Material Info

Reference - Drawing Numbers

Product Specification
Sales Drawing

PS-35301-001
SD-35301-001, SD-35301-012

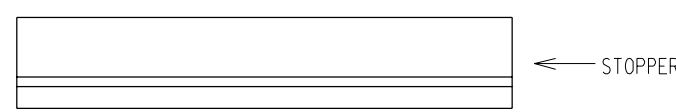
This document was generated on 04/13/2010

PLEASE CHECK WWW.MOLEX.COM FOR LATEST PART INFORMATION

DWG. NO. SD-35301-001

SIMILAR ITEM

PROJECT NO.



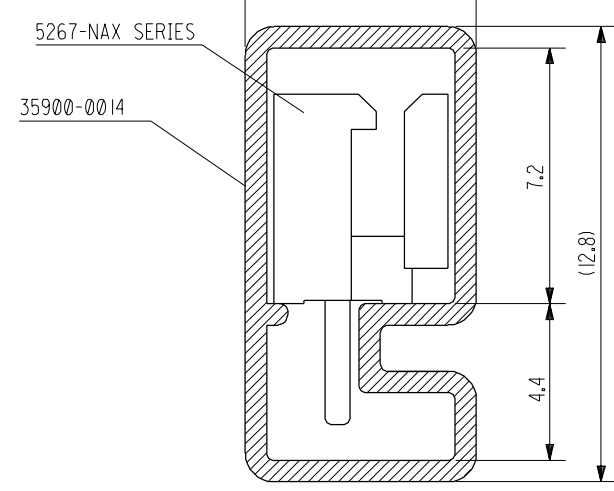
VIEW V

NOTES

1. PACKING TYPE : STOPPER & STICKER LOCKING TYPE(GENERAL)
: VINYL & STOPPER LOCKING TYPE(FOR S/S)
2. THICKNESS : 0.6 †
3. LENGTH : 550 mm

LEGEND

35301- ** 5 *
 COLOR : 0 --- NATURAL
 1 --- BLACK
 2 --- RED
 3 --- YELLOW
 4 --- BLUE
 CKT (02 , 03 , 04)



| | | | |
|------|------------|-----------|-----------|
| 15 | 35301-155* | 35301155* | 10 |
| 14 | -145* | 35301145* | 10 |
| 13 | -135* | 35301135* | 15 |
| 12 | -125* | 35301125* | 15 |
| 11 | -115* | 35301115* | 15 |
| 10 | -105* | 35301105* | 15 |
| 9 | -095* | 35301095* | 20 |
| 8 | -085* | 35301085* | 20 |
| 7 | -075* | 35301075* | 25 |
| 6 | -065* | 35301065* | 30 |
| 5 | -055* | 35301055* | 35 |
| 4 | -045* | 35301045* | 40 |
| 3 | -035* | 35301035* | 50 |
| 2 | 35301-025* | 35301025* | 70 |
| CKTS | ENG. NO. | MAT'L NO. | Q'TY/TUBE |

| | | | | | | | | | | |
|-----------------------------------------------------------------------------------------------|--------------|-----------------|-------------------------------------------|---------------------------------------------------------|-------------------------------------|-----------------------------------------------------------------------------------------------------------------------------------|----------------------------|-----------------------------------------------------------------------------------------------------------------------------------------------|-----|-----------------------------|
| NEW RELEASED EC NO. KOR2001-0048 DRWN: K.S.KIM (011130) CHK: J.K.OH APPR: C.W.LEE | DESCRIPTION | QUALITY SYMBOLS | GENERAL TOLERANCES: (UNLESS SPECIFIED) | | SCALE NONE | DESIGN UNITS <input checked="" type="checkbox"/> mm <input type="checkbox"/> INCH | THIRD ANGLE PROJECTION | DIMENSIONS: <input type="checkbox"/> mm <input type="checkbox"/> INCH <input checked="" type="checkbox"/> mm <input type="checkbox"/> ONLY | SHT | REV |
| | | MAJOR = | mm | INCH | DRAWN BY & DATE K.S.KIM (011130) | TITLE: TUBE PACKAGED FOR 5267-NAX SERIES MOLEX INCORPORATED KOREA | | | | |
| CRITICAL = | 4 PLACES ±0. | ±. | CHECKED BY & DATE J.K.OH | MATERIAL NO. SEE TABLE | | | | | | DRAWING NO. SD-35301-001 |
| | 3 PLACES ±0. | ±. | APPROVED BY & DATE C.W.LEE | | | THIS DRAWING CONTAINS INFORMATION THAT IS PROPRIETARY TO MOLEX INCORPORATED AND SHOULD NOT BE USED WITHOUT WRITTEN PERMISSION. | | SIZE A | | |
| | 2 PLACES ±0. | ±. | CAD FILENAME SD35301A.dgn | DRAFT WHERE APPLICABLE MUST REMAIN WITHIN DIMENSIONS | | | | | | |
| | 1 PLACE ±0.4 | ±. | ANGULAR: ± 3 ° | | | | | | | MX-A4 |
| A | REV | | | | | | | | | |

DWG. NO.

SIMILAR ITEM

PROJECT NO.

B

DO NOT SCALE DRAWING
DIMENSION IN METRIC

8 7 6 5 4 3 2 1

F

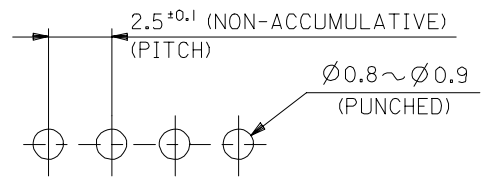
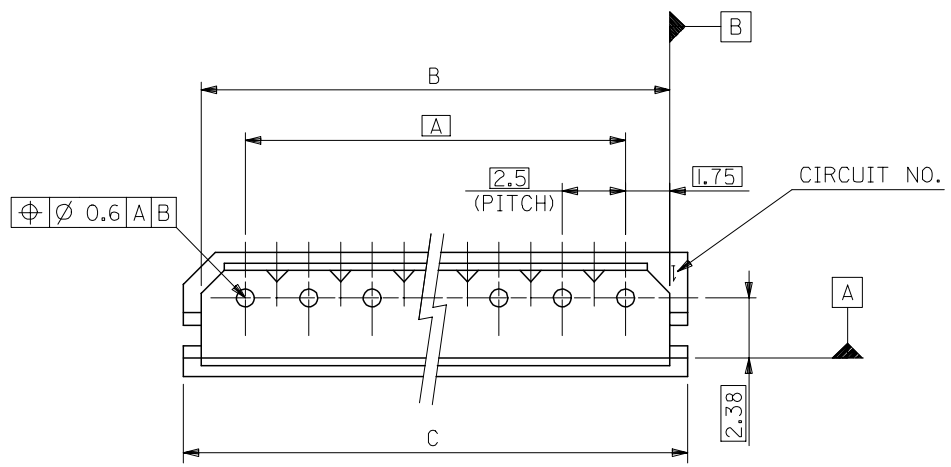
E

D

C

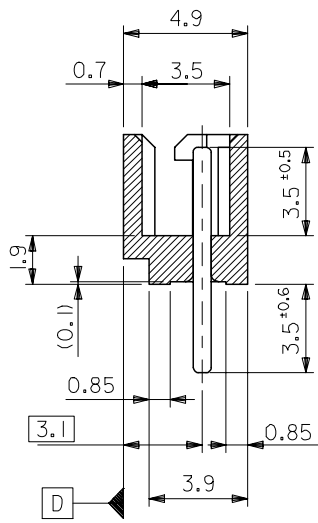
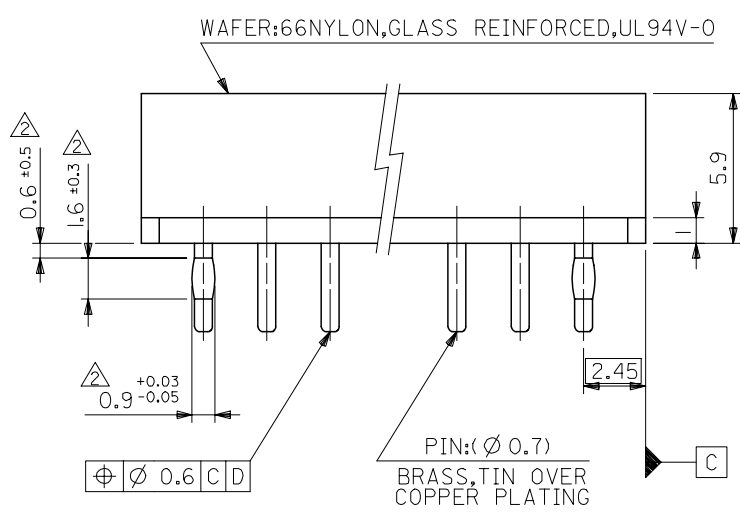
B

A



RECOMMENDED P.C.BOARD HOLE DIM.
(t=1.6)

NOTES:
I. MATES WITH : 5264 SERIES.
△ APPLIES : PIN, BOTH ENDS



| | | | | | | |
|------|------|------|-------------------|------------|------------|------------|
| 39.9 | 38.5 | 35 | 99-99-0999 | 5267-15A-X | 35301-1550 | 15 |
| 37.4 | 36 | 32.5 | -0998 | -14A-X | 35301-1450 | 14 |
| 34.9 | 33.5 | 30 | -0997 | -13A-X | 35301-1350 | 13 |
| 32.4 | 31 | 27.5 | -0996 | -12A-X | 35301-1250 | 12 |
| 29.9 | 28.5 | 25 | -0995 | -11A-X | 35301-1150 | 11 |
| 27.4 | 26 | 22.5 | -0994 | -10A-X | 35301-1050 | 10 |
| 24.9 | 23.5 | 20 | -0993 | -09A-X | 35301-0950 | 9 |
| 22.4 | 21 | 17.5 | -0992 | -08A-X | 35301-0850 | 8 |
| 19.9 | 18.5 | 15 | -0991 | -07A-X | 35301-0750 | 7 |
| 17.4 | 16 | 12.5 | -0990 | -06A-X | 35301-0650 | 6 |
| 14.9 | 13.5 | 10 | -0989 | -05A-X | 35301-0550 | 5 |
| 12.4 | 11 | 7.5 | -0988 | -04A-X | 35301-0450 | 4 |
| 9.9 | 8.5 | 5 | -0987 | -03A-X | 35301-0350 | 3 |
| 7.4 | 6 | 2.5 | 99-99-0986 | 5267-02A-X | 35301-0250 | 2 |
| C | B | A | EDP NO. | ENG NO. | ENG NO. | NO OF CKT. |
| | | | APPLIED CONNECTOR | | | |

| | |
|--------------------|---------------|
| ANGLE | $\pm 3^\circ$ |
| 30 OVER | ± 0.3 |
| 10 OVER 30 UNDER | ± 0.25 |
| 10 UNDER | ± 0.2 |
| GENERAL TOLERANCES | |

NEW RELEASED
ECN NO. KOR2008-0082
DRWN: K.S.KIM (060102)
CHK: Y.Soo.KIM
APPR: SH.CHOI

QUALITY SYMBOLS
MAJOR
CRITICAL

GENERAL TOLERANCES:
(UNLESS SPECIFIED)

| | | |
|----------|----------|---------|
| | mm | INCH |
| 4 PLACES | $\pm 0.$ | $\pm -$ |
| 3 PLACES | $\pm 0.$ | $\pm -$ |
| 2 PLACES | $\pm 0.$ | $\pm -$ |
| 1 PLACE | $\pm 0.$ | $\pm -$ |

ANGULAR: \pm °

DRAFT WHERE APPLICABLE MUST
REMAIN WITHIN DIMENSIONS

SCALE 5:1

DESIGN UNITS mm INCH

THIRD ANGLE PROJECTION THIRD ANGLE

DIMENSIONS: mm INCH mm ONLY

SHT REV

REVISE ON CAD ONLY

DRAWN BY & DATE
K.S.KIM (060102)

CHECKED BY & DATE
Y.Soo.KIM

APPROVED BY & DATE
SH.CHOI

CAD FILENAME

MATERIAL NO.

DRAWING NO.
SD-35301-012

SHEET NO.
1 OF 1

SIZE
B

THIS DRAWING CONTAINS INFORMATION THAT IS PROPRIETARY TO MOLEX INCORPORATED AND SHOULD NOT BE USED WITHOUT WRITTEN PERMISSION.

TITLE:
2.5 LOW PROFILE
WAFER ASS'Y WITH COIN

MOLEX MOLEX INCORPORATED