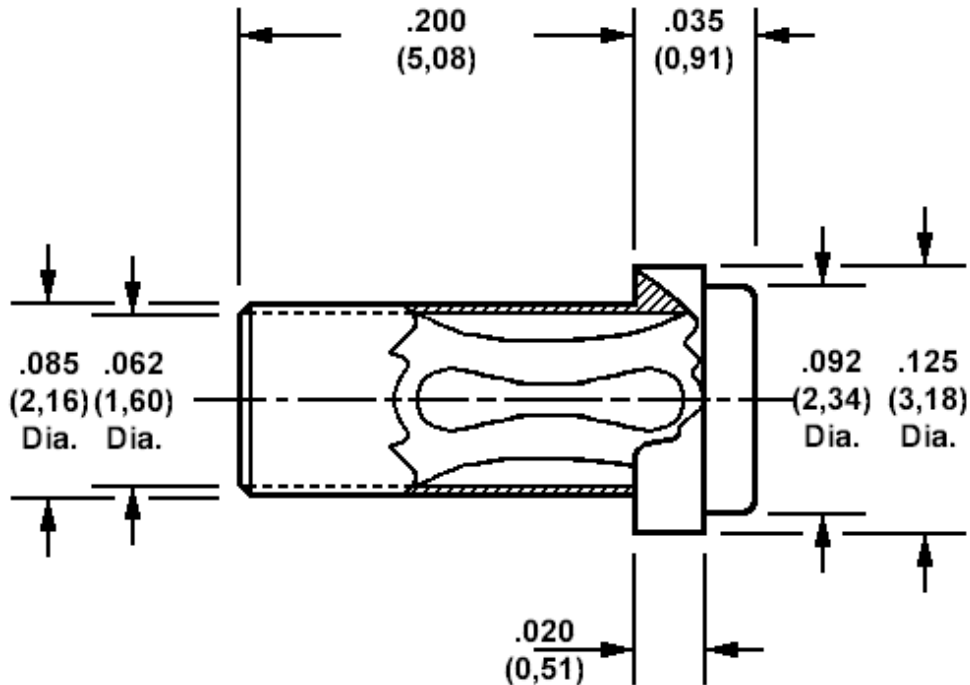


450-3286 Solder mount, through hole socket, for .040 (1,02) diameter pins

Recommended mounting hole .089 (2,26) ± .001 (0,03), # 43 drill



Through hole .062 (1,60)

How to order code
450-3286-01-XX-00
 Basic Part No XX = Finish

MATERIALS				
Component	Material	Finish(-03)	Finish(-04)	Finish(-06)
Body	Brass	Gold over Nickel	Tin	Tin
Spring	Beryllium copper	Gold over Nickel	Tin	Gold over Nickel