

**PLEASE CHECK WWW.MOLEX.COM FOR LATEST PART INFORMATION**

**Part Number:** **0705750048**

**Status:** **Active**

**Overview:** [cgrid\\_sl\\_products](#)

**Description:** 2.54mm (.100") Pitch SL™ Header, Single Row, Right Angle, .180" Pocket, Shrouded, with Press-fit Plastic Peg, 14 Circuits, 0.38µm (15µ") Gold (Au) Selective Plating, Tin (Sn) PC Tail Plating

**Documents:**

|   |  |
|---|--|
| <a href="#">3D Model</a>                      | <a href="#">Product Specification PS-70400 (PDF)</a> |
| <a href="#">Drawing (PDF)</a>                 | <a href="#">Product Specification PS-70541 (PDF)</a> |
| <a href="#">Packaging Specification (PDF)</a> | <a href="#">RoHS Certificate of Compliance (PDF)</a> |

**Agency Certification**

|     |         |
|-----|---------|
| CSA | LR19980 |
| UL  | E29179  |

**General**

|                |                                   |
|----------------|-----------------------------------|
| Product Family | PCB Headers                       |
| Series         | <a href="#">70575</a>             |
| Application    | Wire-to-Board                     |
| Overview       | <a href="#">cgrid_sl_products</a> |
| Product Name   | SL™                               |

**Physical**

|                                |                                |
|--------------------------------|--------------------------------|
| Breakaway                      | No                             |
| Circuits (Loaded)              | 14                             |
| Circuits (maximum)             | 14                             |
| Color - Resin                  | Black                          |
| Durability (mating cycles max) | 50                             |
| Flammability                   | 94V-0                          |
| Glow-Wire Compliant            | No                             |
| Guide to Mating Part           | Yes                            |
| Lock to Mating Part            | Yes                            |
| Material - Metal               | Brass, Phosphor Bronze         |
| Material - Plating Mating      | Gold                           |
| Material - Plating Termination | Tin                            |
| Material - Resin               | High Temperature Thermoplastic |
| Number of Rows                 | 1                              |
| Orientation                    | Right Angle                    |
| PC Tail Length (in)            | 0.130 In                       |
| PC Tail Length (mm)            | 3.30 mm                        |
| PCB Locator                    | Yes                            |
| PCB Retention                  | Yes                            |
| PCB Thickness Recommended (in) | 0.062 In                       |
| PCB Thickness Recommended (mm) | 1.60 mm                        |
| Packaging Type                 | Tube                           |
| Pitch - Mating Interface (in)  | 0.100 In                       |
| Pitch - Mating Interface (mm)  | 2.54 mm                        |
| Plating min: Mating (µin)      | 15                             |
| Plating min: Mating (µm)       | 0.375                          |
| Plating min: Termination (µin) | 75                             |
| Plating min: Termination (µm)  | 1.875                          |
| Polarized to Mating Part       | Yes                            |
| Shrouded                       | Fully                          |
| Stackable                      | No                             |
| Surface Mount Compatible (SMC) | Yes                            |

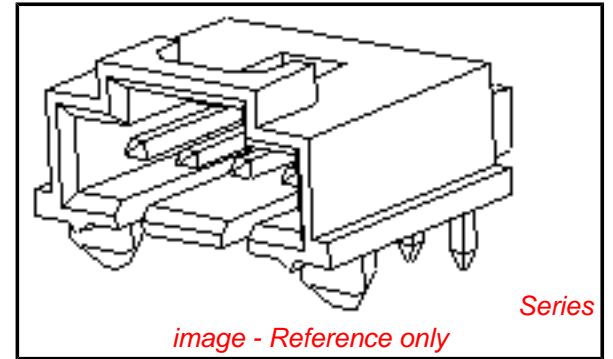


image - Reference only

**EU RoHS**

**ELV and RoHS Compliant**

**REACH SVHC**

Not Reviewed

**Halogen-Free**

**Status**

**Not Reviewed**

**China RoHS**



**Need more information on product environmental compliance?**

Email [productcompliance@molex.com](mailto:productcompliance@molex.com)  
For a multiple part number RoHS Certificate of Compliance, [click here](#)

Please visit the [Contact Us](#) section for any non-product compliance questions.

**Search Parts in this Series**

[70575Series](#)

**Mates With**

[70004](#)

Temperature Range - Operating -40°C to +105°C  
Termination Interface: Style Through Hole

### **Electrical**

Current - Maximum per Contact 3A  
Voltage - Maximum 250V

### **Solder Process Data**

Lead-free Process Capability Wave Capable (TH only)

### **Material Info**

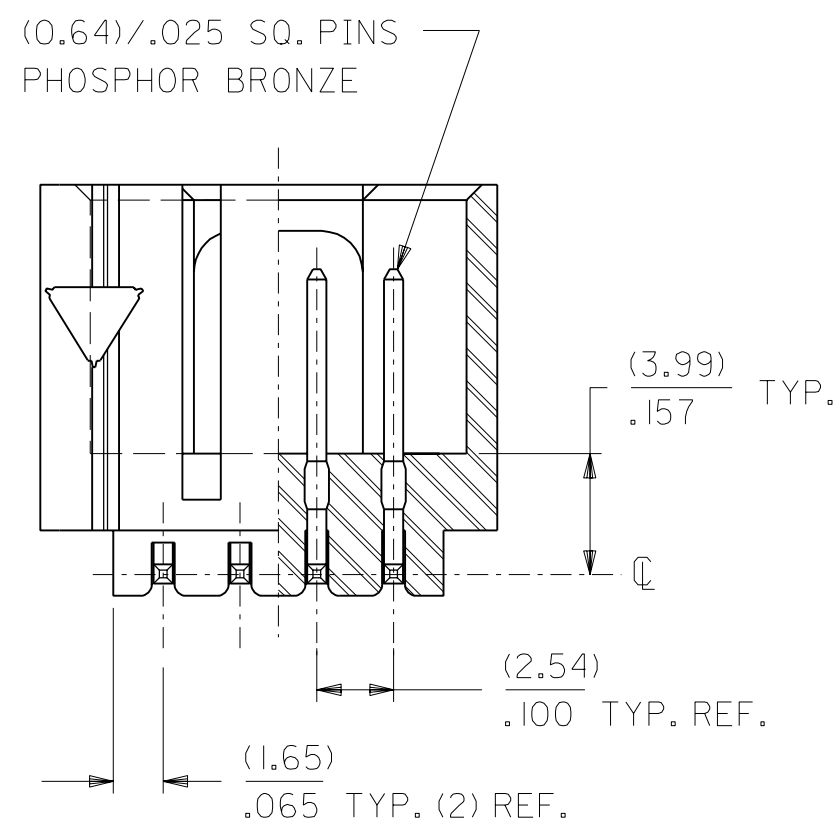
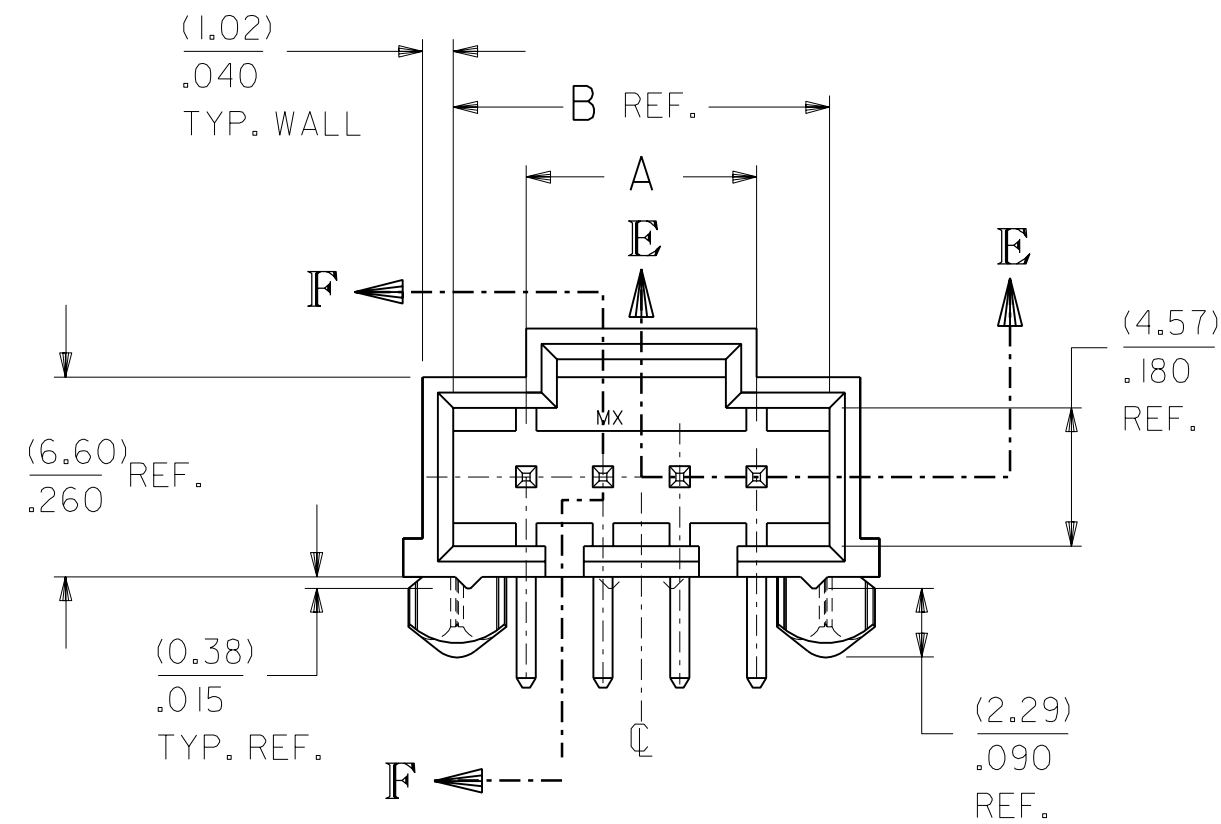
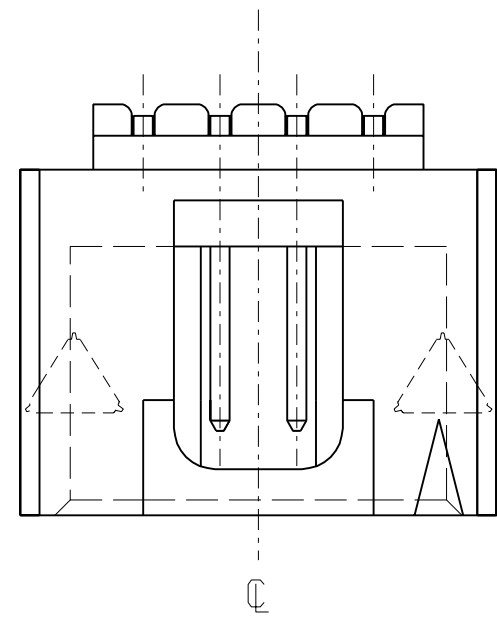
### **Reference - Drawing Numbers**

Packaging Specification PK-70873-0017  
Product Specification PS-70400, PS-70541  
Sales Drawing SDA-70575-\*\*\*\*

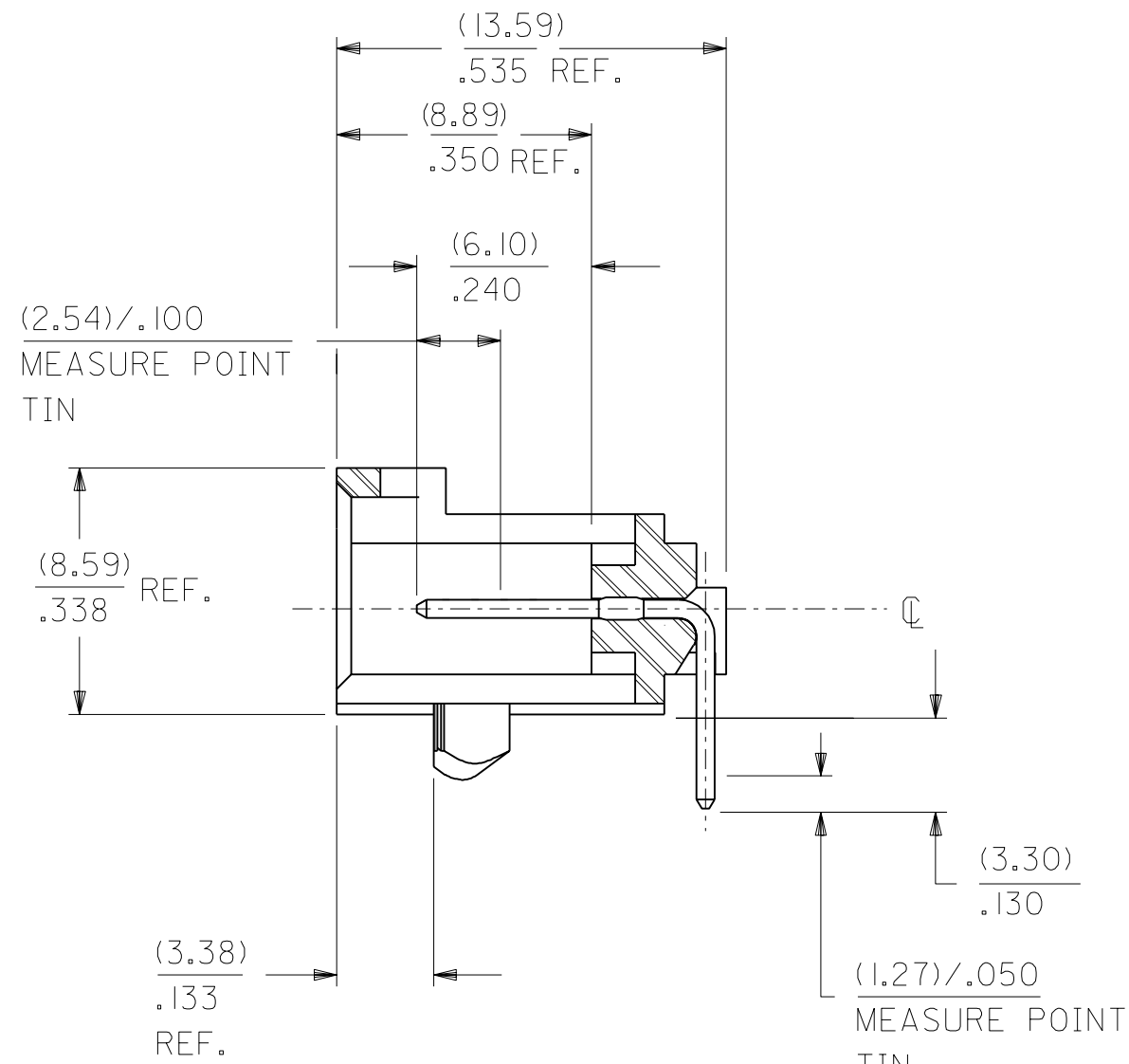
This document was generated on 05/31/2010

**PLEASE CHECK [WWW.MOLEX.COM](http://WWW.MOLEX.COM) FOR LATEST PART INFORMATION**

OPTION "E"



SECTION E-E



SECTION F-F

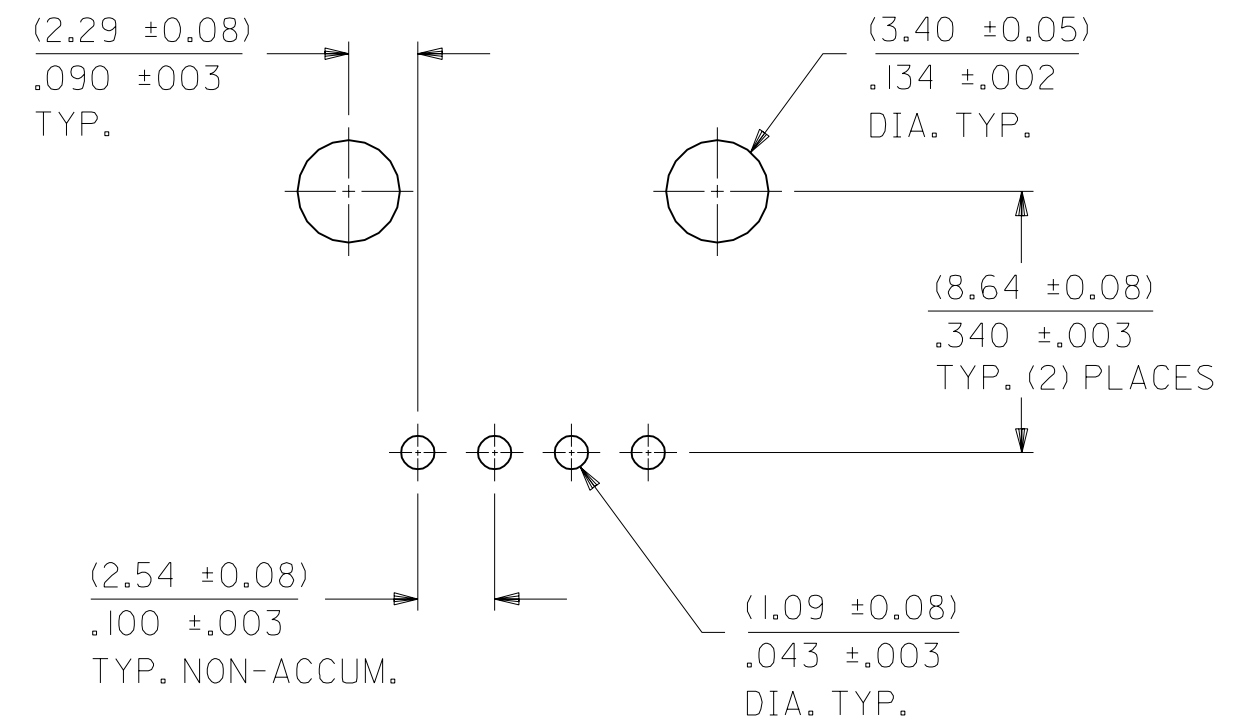
NOTES

- 1) MATERIAL: G.F. THERMOPLASTIC, 94V-0, COLOR-BLACK.
- 2) HEADER TO BE USED WITH NO. 70004 INTERIM CLIP, VERSION "A".
- 3) REFER TO PRODUCT SPEC: P.S.-70541.
- 4) STANDARD PACKAGING PER PK-70873-0017. OPTIONAL PACKAGING MAY BE AVAILABLE. (SEE DRAWING PK-70575-\*\*\*\* FOR ORDER NUMBERS)

- TIN - .000150 MINIMUM TIN PLATE OVER .000050 MINIMUM NICKEL PLATE.
- 15 GOLD - .000015 MINIMUM GOLD PLATE IN SELECT AREA, .000075 MINIMUM TIN PLATE IN SELECT AREA, OVER .000050 MINIMUM NICKEL PLATE OVERALL.
- 30 GOLD - .000030 MINIMUM GOLD PLATE IN SELECT AREA, .000075 MINIMUM TIN PLATE IN SELECT AREA, OVER .000050 MINIMUM NICKEL PLATE OVERALL.

(SEE SH.2 FOR OPTIONAL PLATINGS)

| CKT. SIZE | "A"   |       | "B" REF. |       |
|-----------|-------|-------|----------|-------|
|           | MM    | IN.   | MM       | IN.   |
| 4         | 7.62  | .300  | 12.45    | .490  |
| 5         | 10.16 | .400  | 14.99    | .590  |
| 6         | 12.70 | .500  | 17.53    | .690  |
| 7         | 15.24 | .600  | 20.07    | .790  |
| 8         | 17.78 | .700  | 22.61    | .890  |
| 9         | 20.32 | .800  | 25.15    | .990  |
| 10        | 22.86 | .900  | 27.69    | 1.090 |
| 11        | 25.40 | 1.000 | 30.23    | 1.190 |
| 12        | 27.94 | 1.100 | 32.77    | 1.290 |
| 13        | 30.48 | 1.200 | 35.31    | 1.390 |
| 14        | 33.02 | 1.300 | 37.85    | 1.490 |
| 15        | 35.56 | 1.400 | 40.39    | 1.590 |
| 16        | 38.10 | 1.500 | 42.93    | 1.690 |
| 17        | 40.64 | 1.600 | 45.47    | 1.790 |
| 18        | 43.18 | 1.700 | 48.01    | 1.890 |
| 19        | 45.72 | 1.800 | 50.55    | 1.990 |
| 20        | 48.26 | 1.900 | 53.09    | 2.090 |
| 21        | 50.80 | 2.000 | 55.63    | 2.190 |
| 22        | 53.34 | 2.100 | 58.17    | 2.290 |
| 23        | 55.88 | 2.200 | 60.71    | 2.390 |
| 24        | 58.42 | 2.300 | 63.25    | 2.490 |
| 25        | 60.96 | 2.400 | 65.79    | 2.590 |



RECOMMENDED P.C. BOARD LAYOUT

(FOR USE WITH (1.57) .062 THICK BOARD)

\*THE PRIMARY SHIPPING CARTON WILL BE LABELED "COMPLIANT TO RoHS DIRECTIVE 2002/95/EC AND ELV ANNEX II OF DIRECTIVE 2000/53/EC". CARTONS WITHOUT THIS LABEL MAY CONTAIN PRODUCT WITH LEAD. PLATING PER E.S.-88-\*\*\*

|          |   |      |
|----------|---|------|
|          | 2 | B    |
|          | 1 | B    |
| MFG. SH. |   | REV. |

| DIMENSIONS SHOWN (METRIC) INCH<br>UNLESS OTHERWISE SPECIFIED<br>TOLERANCES: ANGULAR ± 1/2°   |  | ▽ = 0 ▼ = 0 REVISE ONLY ON CAD SYSTEM |                |                |              |  |     |                    |                |                         |                 |                    |                          |   |  |
|--|--|---------------------------------------|----------------|----------------|--------------|--|-----|--------------------|----------------|-------------------------|-----------------|--------------------|--------------------------|---|--|
| <table border="1"> <thead> <tr> <th></th> <th>INCH</th> <th>METRIC</th> </tr> </thead> <tbody> <tr> <td>3 PLACE</td> <td>± .010</td> <td>---</td> </tr> <tr> <td>2 PLACE</td> <td>± .014</td> <td>± 0.25</td> </tr> <tr> <td>1 PLACE</td> <td>---</td> <td>± 0.35</td> </tr> </tbody> </table> |  |                                       | INCH           | METRIC         | 3 PLACE      | ± .010   | --- | 2 PLACE            | ± .014         | ± 0.25                  | 1 PLACE         | ---                | ± 0.35                   | TITLE<br>SALES ASSEMBLY<br>HEADER - RIGHT ANGLE<br>.100 CENTERS W/P.C.B. PEGS |  |
|  | INCH   | METRIC                                |                |                |              |  |     |                    |                |                         |                 |                    |                          |   |  |
| 3 PLACE  | ± .010   | ---                                   |                |                |              |  |     |                    |                |                         |                 |                    |                          |   |  |
| 2 PLACE  | ± .014   | ± 0.25                                |                |                |              |  |     |                    |                |                         |                 |                    |                          |   |  |
| 1 PLACE  | ---  | ± 0.35                                |                |                |              |  |     |                    |                |                         |                 |                    |                          |   |  |
| <table border="1"> <tr> <td>DRWG. BY: AAB</td> <td>CHK'D. BY: AAB</td> </tr> <tr> <td>APP'D. BY: WAZ</td> <td>SCALE: 4 : 1</td> </tr> </table>   |  | DRWG. BY: AAB                         | CHK'D. BY: AAB | APP'D. BY: WAZ | SCALE: 4 : 1 | <table border="1"> <tr> <td>MOLEX INCORPORATED</td> <td>SHEET NO. DATE</td> </tr> <tr> <td>LITSL,ILL. 60532 U.S.A.</td> <td>1 OF 2 05/13/93</td> </tr> <tr> <td>PART NO. DRWG. NO.</td> <td>SEE CHART SDA-70575-****</td> </tr> <tr> <td>FILE NAME: S70575X1.DGN</td> <td>THIS DRAWING CONTAINS INFORMATION THAT IS PROPRIETARY TO MOLEX INC. AND SHOULD NOT BE USED WITHOUT WRITTEN PERMISSION.</td> </tr> </table> |     | MOLEX INCORPORATED | SHEET NO. DATE | LITSL,ILL. 60532 U.S.A. | 1 OF 2 05/13/93 | PART NO. DRWG. NO. | SEE CHART SDA-70575-**** | FILE NAME: S70575X1.DGN   | THIS DRAWING CONTAINS INFORMATION THAT IS PROPRIETARY TO MOLEX INC. AND SHOULD NOT BE USED WITHOUT WRITTEN PERMISSION. |
| DRWG. BY: AAB  | CHK'D. BY: AAB   |                                       |                |                |              |  |     |                    |                |                         |                 |                    |                          |   |  |
| APP'D. BY: WAZ   | SCALE: 4 : 1   |                                       |                |                |              |  |     |                    |                |                         |                 |                    |                          |   |  |
| MOLEX INCORPORATED   | SHEET NO. DATE   |                                       |                |                |              |  |     |                    |                |                         |                 |                    |                          |   |  |
| LITSL,ILL. 60532 U.S.A.  | 1 OF 2 05/13/93  |                                       |                |                |              |  |     |                    |                |                         |                 |                    |                          |   |  |
| PART NO. DRWG. NO.   | SEE CHART SDA-70575-****   |                                       |                |                |              |  |     |                    |                |                         |                 |                    |                          |   |  |
| FILE NAME: S70575X1.DGN  | THIS DRAWING CONTAINS INFORMATION THAT IS PROPRIETARY TO MOLEX INC. AND SHOULD NOT BE USED WITHOUT WRITTEN PERMISSION. |                                       |                |                |              |  |     |                    |                |                         |                 |                    |                          |   |  |
| LTR.   | REVISIONS  | LTR.                                  | REVISIONS      |                |              |  |     |                    |                |                         |                 |                    |                          |   |  |

|   |                                |                                  |    |    |   |   |   |   |                       |                |   |                        |                |  |  |
|---|--------------------------------|----------------------------------|----|----|---|---|---|---|-----------------------|----------------|---|------------------------|----------------|--|--|
|   | 13                             | 12                               | 11 | 10 | 9 | 8 | 7 | 6 | 70575                 | 4              | 3 | 2                      | 1              |  |  |
| J | ENGINEERING NUMBER<br>A-70575- | MANUFACTURE<br>RELEASE<br>STATUS |    |    |   |   |   |   | CONNECTOR END PLATING |                |   | P.C. BOARD END PLATING |                |  |  |
|   |                                |                                  |    |    |   |   |   |   | TYPE                  | H<br>MEAS.     |   | TYPE                   | K<br>MEAS.     |  |  |
|   | -0003-0024                     | R.F.M.                           |    |    |   |   |   |   | TIN                   | (2,54)<br>.100 |   | TIN                    | (1,27)<br>.050 |  |  |
|   | -0038-0059                     | R.F.M.                           |    |    |   |   |   |   | 15 GOLD               | (2,54)<br>.100 |   | TIN                    | (1,27)<br>.050 |  |  |
| I | -0073-0094                     | R.F.M.                           |    |    |   |   |   |   | 30 GOLD               | (2,54)<br>.100 |   | TIN                    | (1,27)<br>.050 |  |  |
|   | -0108-0129                     |                                  |    |    |   |   |   |   |                       |                |   |                        |                |  |  |
|   | -0143-0164                     | R.F.M.                           |    |    |   |   |   |   | 50 GOLD               | (2,54)<br>.100 |   | TIN                    | (1,27)<br>.050 |  |  |
| H |                                |                                  |    |    |   |   |   |   |                       |                |   |                        |                |  |  |

|   |      |             |              |             |              |             |              |            |              |             |              |            |            |            |            |      |
|---|------|-------------|--------------|-------------|--------------|-------------|--------------|------------|--------------|-------------|--------------|------------|------------|------------|------------|------|
| G | CKTS | EDP NUMBER  | ENG NUMBER   | EDP NUMBER  | ENG NUMBER   | EDP NUMBER  | ENG NUMBER   | EDP NUMBER | ENG NUMBER   | EDP NUMBER  | ENG NUMBER   | EDP NUMBER | ENG NUMBER | EDP NUMBER | ENG NUMBER | CKTS |
|   | 02   | N.A.        | N.A.         | N.A.        | N.A.         | N.A.        | N.A.         | N.A.       | N.A.         | N.A.        | N.A.         | N.A.       | N.A.       | N.A.       | N.A.       | 02   |
|   | 03   | N.A.        | N.A.         | N.A.        | N.A.         | N.A.        | N.A.         | N.A.       | N.A.         | N.A.        | N.A.         | N.A.       | N.A.       | N.A.       | N.A.       | 03   |
|   | 04   | 705-75-0003 | A-70575-0003 | 705-75-0038 | A-70575-0038 | 705-75-0073 | A-70575-0073 |            | A-70575-0108 | 705-75-0143 | A-70575-0143 |            |            |            |            | 04   |
|   | 05   | 705-75-0004 | A-70575-0004 | 705-75-0039 | A-70575-0039 | 705-75-0074 | A-70575-0074 |            | A-70575-0109 | 705-75-0144 | A-70575-0144 |            |            |            |            | 05   |
|   | 06   | 705-75-0005 | A-70575-0005 | 705-75-0040 | A-70575-0040 | 705-75-0075 | A-70575-0075 |            | A-70575-0110 | 705-75-0145 | A-70575-0145 |            |            |            |            | 06   |
| F | 07   | 705-75-0006 | A-70575-0006 | 705-75-0041 | A-70575-0041 | 705-75-0076 | A-70575-0076 |            | A-70575-0111 | 705-75-0146 | A-70575-0146 |            |            |            |            | 07   |
|   | 08   | 705-75-0007 | A-70575-0007 | 705-75-0042 | A-70575-0042 | 705-75-0077 | A-70575-0077 |            | A-70575-0112 | 705-75-0147 | A-70575-0147 |            |            |            |            | 08   |
|   | 09   | 705-75-0008 | A-70575-0008 | 705-75-0043 | A-70575-0043 | 705-75-0078 | A-70575-0078 |            | A-70575-0113 | 705-75-0148 | A-70575-0148 |            |            |            |            | 09   |
|   | 10   | 705-75-0009 | A-70575-0009 | 705-75-0044 | A-70575-0044 | 705-75-0079 | A-70575-0079 |            | A-70575-0114 | 705-75-0149 | A-70575-0149 |            |            |            |            | 10   |
|   | 11   | 705-75-0010 | A-70575-0010 | 705-75-0045 | A-70575-0045 | 705-75-0080 | A-70575-0080 |            | A-70575-0115 | 705-75-0150 | A-70575-0150 |            |            |            |            | 11   |
|   | 12   | 705-75-0011 | A-70575-0011 | 705-75-0046 | A-70575-0046 | 705-75-0081 | A-70575-0081 |            | A-70575-0116 | 705-75-0151 | A-70575-0151 |            |            |            |            | 12   |
|   | 13   | 705-75-0012 | A-70575-0012 | 705-75-0047 | A-70575-0047 | 705-75-0082 | A-70575-0082 |            | A-70575-0117 | 705-75-0152 | A-70575-0152 |            |            |            |            | 13   |
| E | 14   | 705-75-0013 | A-70575-0013 | 705-75-0048 | A-70575-0048 | 705-75-0083 | A-70575-0083 |            | A-70575-0118 | 705-75-0153 | A-70575-0153 |            |            |            |            | 14   |
|   | 15   | 705-75-0014 | A-70575-0014 | 705-75-0049 | A-70575-0049 | 705-75-0084 | A-70575-0084 |            | A-70575-0119 | 705-75-0154 | A-70575-0154 |            |            |            |            | 15   |
|   | 16   | 705-75-0015 | A-70575-0015 | 705-75-0050 | A-70575-0050 | 705-75-0085 | A-70575-0085 |            | A-70575-0120 | 705-75-0155 | A-70575-0155 |            |            |            |            | 16   |
|   | 17   | 705-75-0016 | A-70575-0016 | 705-75-0051 | A-70575-0051 | 705-75-0086 | A-70575-0086 |            | A-70575-0121 | 705-75-0156 | A-70575-0156 |            |            |            |            | 17   |
|   | 18   | 705-75-0017 | A-70575-0017 | 705-75-0052 | A-70575-0052 | 705-75-0087 | A-70575-0087 |            | A-70575-0122 | 705-75-0157 | A-70575-0157 |            |            |            |            | 18   |
|   | 19   | 705-75-0018 | A-70575-0018 | 705-75-0053 | A-70575-0053 | 705-75-0088 | A-70575-0088 |            | A-70575-0123 | 705-75-0158 | A-70575-0158 |            |            |            |            | 19   |
| D | 20   | 705-75-0019 | A-70575-0019 | 705-75-0054 | A-70575-0054 | 705-75-0089 | A-70575-0089 |            | A-70575-0124 | 705-75-0159 | A-70575-0159 |            |            |            |            | 20   |
|   | 21   | 705-75-0020 | A-70575-0020 | 705-75-0055 | A-70575-0055 | 705-75-0090 | A-70575-0090 |            | A-70575-0125 | 705-75-0160 | A-70575-0160 |            |            |            |            | 21   |
|   | 22   | 705-75-0021 | A-70575-0021 | 705-75-0056 | A-70575-0056 | 705-75-0091 | A-70575-0091 |            | A-70575-0126 | 705-75-0161 | A-70575-0161 |            |            |            |            | 22   |
|   | 23   | 705-75-0022 | A-70575-0022 | 705-75-0057 | A-70575-0057 | 705-75-0092 | A-70575-0092 |            | A-70575-0127 | 705-75-0162 | A-70575-0162 |            |            |            |            | 23   |
|   | 24   | 705-75-0023 | A-70575-0023 | 705-75-0058 | A-70575-0058 | 705-75-0093 | A-70575-0093 |            | A-70575-0128 | 705-75-0163 | A-70575-0163 |            |            |            |            | 24   |
|   | 25   | 705-75-0024 | A-70575-0024 | 705-75-0059 | A-70575-0059 | 705-75-0094 | A-70575-0094 |            | A-70575-0129 | 705-75-0164 | A-70575-0164 |            |            |            |            | 25   |

**OPTIONAL PLATINGS**  
50 GOLD - .000050 MIN. GOLD IN SELECT AREA  
.000075 MIN. TIN IN SELECT AREA  
.000050 MIN. NICKEL PLATE OVER-ALL.

|   |                |   |                |
|---|----------------|---|----------------|
| DIMENSIONS SHOWN (METRIC) INCH<br>UNLESS OTHERWISE SPECIFIED<br>TOLERANCES ANGULAR ± 1/2° |                | ▽ = 0 ▼ = 0 REVISE ONLY ON CAD SYSTEM   |                |
| 3 PLACE ± ---   | INCH           | 2 PLACE ± ---   | METRIC         |
| 2 PLACE ± ---   | ± ---          | 1 PLACE --- ± ---   | ± ---          |
| DRAFT WHERE APPLICABLE MUST<br>REMAIN WITHIN DIMENSIONS                                   |                | PART NO. DRWG. NO.  |                |
| SEE SHEET I   |                | SEE CHART SDA-70575-****  |                |
| DRWG. BY: AAB   | CHK'D. BY: AAB | FILE NAME: 570575X2.DGN   | DATE: 05/13/93 |
| APP'D. BY: WAZ  | SCALE: :       | THIS DRAWING CONTAINS INFORMATION THAT IS PROPRIETARY TO MOLEX INC. AND SHOULD NOT BE USED WITHOUT WRITTEN PERMISSION |                |
| LTR. REVISIONS  | LTR. REVISIONS | DA  | C              |