



# PRODUCT SPECIFICATION

**Model No : CST-534M9/535M9**

## Descriptions:

- 0.56 Inch Triad Digit Display
- CST-534: Common Anode
- CST-535: Common Cathode
- Emitting Color: Super Bright Green



CUSTOMER APPROVED SIGNATURES	APPROVED BY	CHECKED BY	PREPARED BY

**CHINA SEMICONDUCTOR CORPORATION**

Address:2FL. NO.909,Chung-Cheng Road,  
Chung-Ho City Taipei Hsien,Taiwan.

Tel:886-2-2223-9696

Fax:886-2-2223-9377

**OPTO PLUS TECHNOLOGIES CO.,LTD**

Address:696 Shun jiang Rd.,Ji Shan St.Shaoxing,  
ZheJiang,China

Tel:86-0575-88623888

Fax:86-0575-88623112



<b>Spec. No.</b>	PS-ND-08090123
<b>Rev.</b>	A

**Model No : CST-534/535M9**

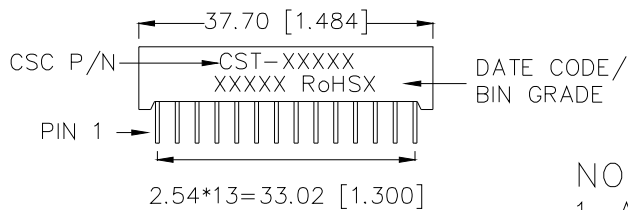
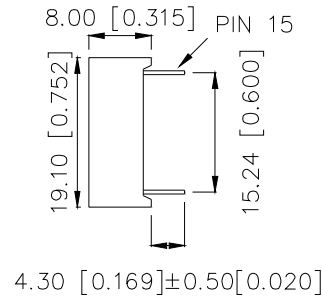
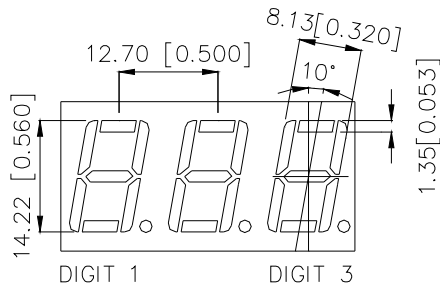
**Features -**

1. 0.56 inch (14.2mm) digit height.
2. Case mold type.
3. RoHS compliant.
4. Low power consumption.
5. Easy mounting on P.C. board or socket.

**Device Selection Guide -**

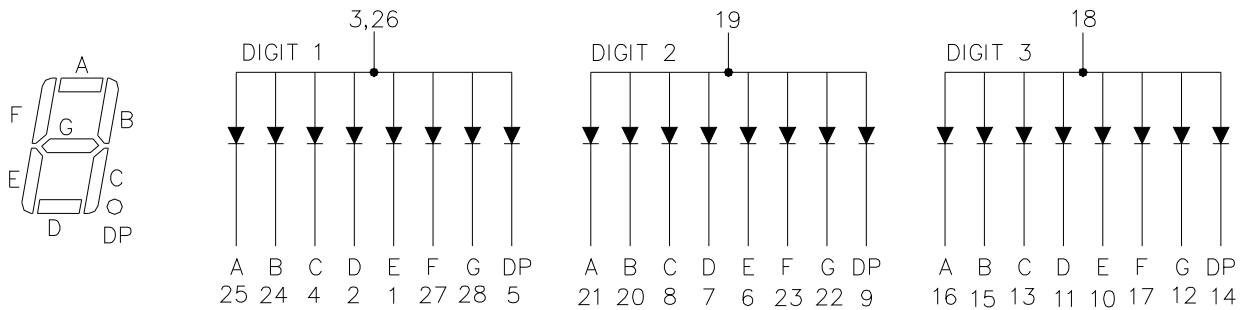
Part No.	Chip		Description
	Material	Emitted Color	
<b>CST-534M9</b>	<b>AlGaInP</b>	<b>Super Bright Yellow Green</b>	<b>Common Anode</b>
<b>CST-535M9</b>			<b>Common Cathode</b>

**Package Dimensions -**



**NOTE:**

1. All pins are  $\phi 0.50 [0.020]$ .
2. Dimension in millimeter [inch], tolerance is  $\pm 0.25 [0.010]$  unless otherwise noted.


**Model No : CST-534/535M9**
**Internal Circuit Diagrams -**


CST-534 Common Anode.  
(CST-535 is Common Cathode.)

**Absolute Maximum Rating -**

(Ta=25°C)

Parameter	Symbol	Rating	Unit
Power Dissipation Per Dice	<b>P<sub>AD</sub></b>	70	mW
Continuous Forward Current Per Dice	<b>I<sub>AF</sub></b>	25	mA
Peak Current Per Dice(duty cycle 1/10, 1kHz)	<b>I<sub>PF</sub></b>	90	mA
Derating Linear From 25°C Per Dice	-	0.33	mA/°C
Reverse Voltage Per Dice	<b>V<sub>R</sub></b>	5	V
Operating Temp.	<b>T<sub>opr</sub></b>	-35 ~ +85	°C
Storage Temp.	<b>T<sub>stg</sub></b>	-35 ~ +85	°C
Solder temperature 1/16 inch below seating plane for 3 seconds at 260°C			



<b>Spec. No.</b>	PS-ND-08090123
<b>Rev.</b>	A

**Model No : CST-534/535M9**
**Electro-optical Characteristics -**

(Ta=25°C)

Parameter	Symbol	Min.	Typ.	Max.	Unit	Condition
Forward Voltage Per Segment	$V_F$	-	2.1	2.8	V	$I_F=20mA$
Luminous Intensity Per Segment	$I_v$	-	10	-	mcd	$I_F=10mA$
Peak Emission Wavelength	$\lambda_p$	-	572	-	nm	$I_F=20mA$
Dominant Wavelength	$\lambda_d$	-	570	-	nm	$I_F=20mA$
Spectrum Radiation Bandwidth	$\Delta \lambda$	-	20	-	nm	$I_F=20mA$
Reverse Current	$I_R$	-	-	100	$\mu A$	$V_R=5V$
Luminous Intensity Matching Ratio	<b>IV-m</b>	-	-	2:1	-	$I_F=10mA$



Spec. No.	PS-ND-08090123
Rev.	A

**Model No : CST-534/535M9**

**Typical Electrical / Optical Characteristics Curves -**

**(Ta = 25°C Unless Otherwise Noted)**

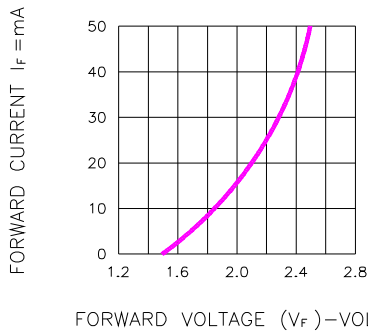


Fig.1 FORWARD CURRENT VS. FORWARD VOLTAGE

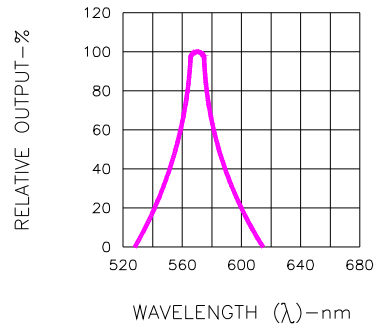


Fig.2 SPECTRAL RESPONSE

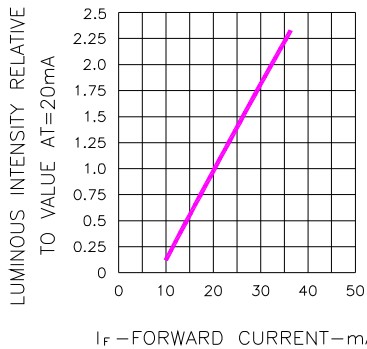


Fig.3 RELATIVE LUMINOUS INTENSITY VS. FORWARD CURRENT

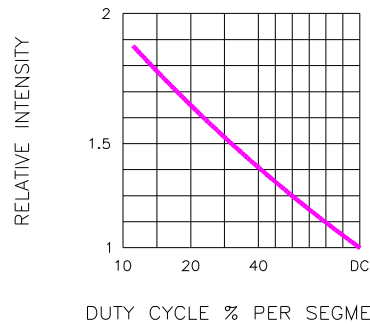


Fig.5 LUMINOUS INTENSITY VS. DUTY CYCLE

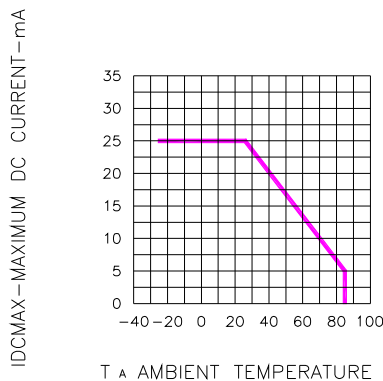


Fig.4 MAXIMUM ALLOWABLE DC CURRENT PER SEGMENT VS. A FUNCTION OF AMBIENT TEMPERATURE

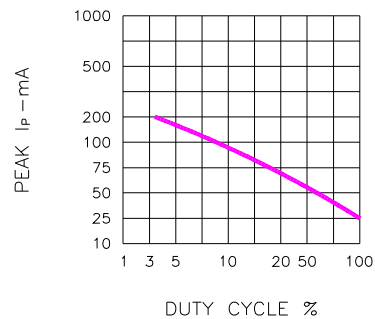


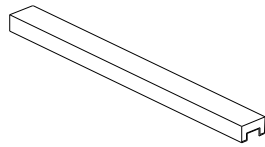
Fig.6 MAX PEAK CURRENT VS. DUTY CYCLE % (REFRESH RATE f=1 KHz)



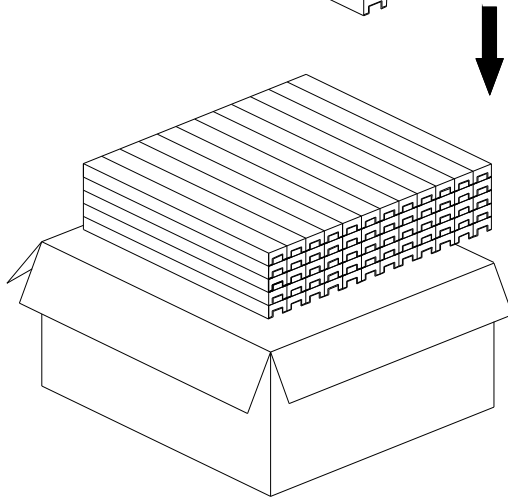
Spec. No.	PS-ND-08090123
Rev.	A

**Model No: CST-534/535M9**

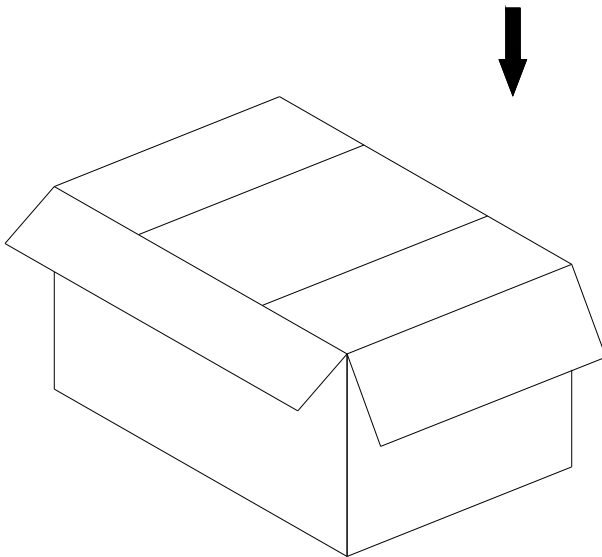
■ Package Dimensions



13 Pcs Per Tube



60 Tubes Per Inner Box  
Total Q'TY: 780 Pcs



3 Inner Boxes Per Carton.

Total Q'TY: 2340 Pcs

Carton Size:

L540\*W485\*H305.5 mm

Note: The specifications are subject to change without notice. Please contact us for updated information.