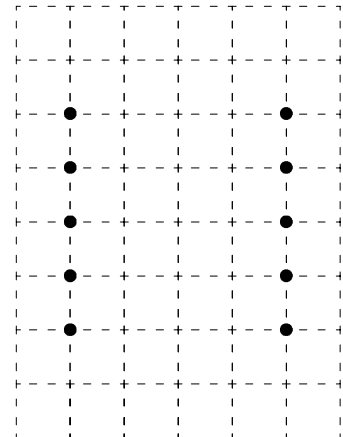


PARAMETER		UNITS
Primary Impedance	600CT*	Ω
Secondary Impedance	600	
Longitudinal Balance	60dB min.	
300 - 3400 Hz		
Primary DC Resistance	36	Ω Max.
Secondary DC Resistance	47	Ω Max.
Frequency Response	+25	dB
300 - 3400Hz		
Insertion Loss	1.0 Max @ 1kHz	dB
Isolation (HI-POT)	1500	V _{RMS}
Primary DC	None	
Return Loss	26dB min @ 1kHz	dB

T-30410

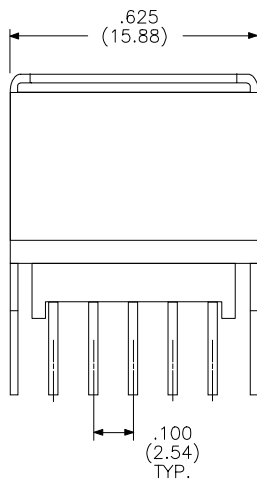
PIN POSITION GRID 0.100 (2.54)

● HOLES FOR BOBBIN PINS

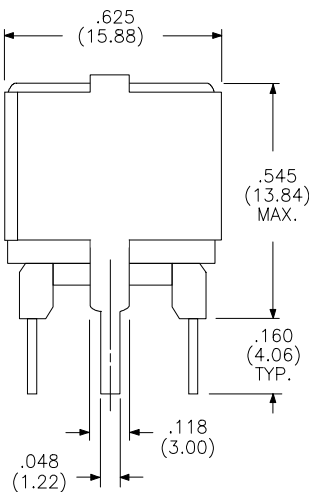


*Pins 2 & 4 shorted

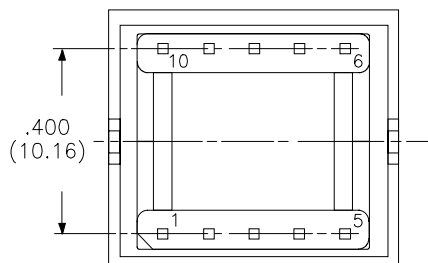
Physical Dimensions in inches (mm)



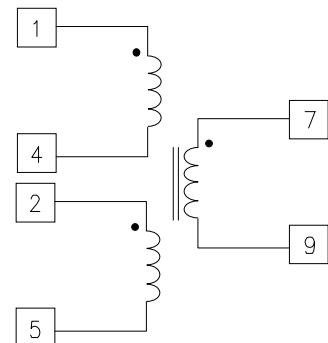
Pin Diameter is 0.025 (0.64)



Bottom View



SCHEMATIC DIAGRAM:



RHOMBUS INDUSTRIES INC. **FSCM NO. 16714**

RHOMBUS P/N: T-30410

CUST P/N:

NAME:

DATE: 6/25/97

SHEET: 1 OF 1