



# TAI-SAW TECHNOLOGY CO., LTD.

No. 3, Industrial 2nd Rd., Ping-Chen Industrial District,  
Taoyuan, 324, Taiwan, R.O.C.

TEL: 886-3-4690038 FAX: 886-3-4697532

E-mail: [tstsales@mail.taisaw.com](mailto:tstsales@mail.taisaw.com) Web: [www.taisaw.com](http://www.taisaw.com)

## Approval Sheet For Product Specification

Issued Date: Nov, 24, 2005

Product Name: SAW Filter 1575.42 MHz SMD 2.0X1.6 mm

TST Parts No.:TA0502A

Customer Parts No.: \_\_\_\_\_

Company: _____
Division: _____
Approved by : _____
Date: _____

Checked by: \_\_\_\_\_ Bob Chau

Approval by: \_\_\_\_\_ Francis Chen

Date: \_\_\_\_\_ 11, 24, 2005



# TAI-SAW TECHNOLOGY CO., LTD.

No. 3, Industrial 2nd Rd., Ping-Chen Industrial District,  
Taoyuan, 324, Taiwan, R.O.C.

TEL: 886-3-4690038 FAX: 886-3-4697532

E-mail: [tstsales@mail.taisaw.com](mailto:tstsales@mail.taisaw.com) Web: [www.taisaw.com](http://www.taisaw.com)

## SAW Filter 1575.42 MHz for GPS

MODEL NO.: TA0502A

REV. NO.:1

### A. MAXIMUM RATING:

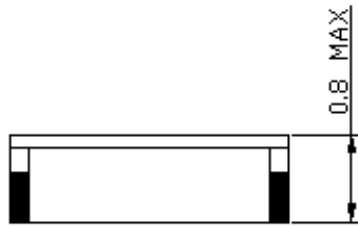
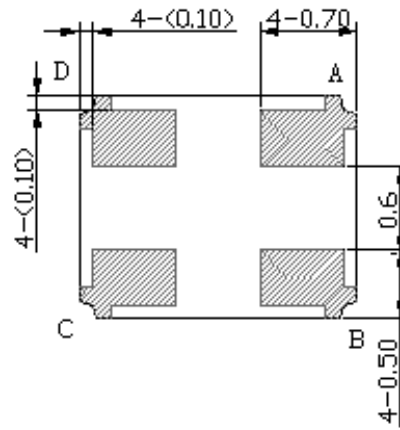
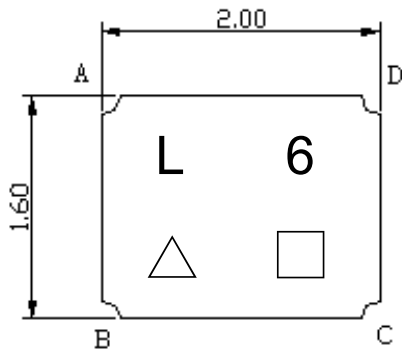
1. Input Power Level: 10 dB<sub>m</sub>
2. DC voltage: 5 V
3. Operating Temperature: -30°C to +85°C
4. Storage Temperature: -40°C to +95°C

RoHS Compliant  
Lead free  
Lead-free soldering

### B. ELECTRICAL CHARACTERISTICS:

Item		Min.	Typ.	Max.
<b>Center frequency</b>	<b>F<sub>c</sub></b> (MHz)	-	1575.42	-
<b>Insertion loss</b> (1574.42~1576.42 MHz)	<b>IL</b> (dB)	-	2.5	3.5
<b>Amplitude ripple</b> (1574.42~1576.42 MHz)	(dB)	-	0.1	1.0
<b>Attenuation</b> (Reference level from 0 dB)				
1475.42	MHz (dB)	28	30	-
1535.42	MHz (dB)	30	38	-
1615.42	MHz (dB)	30	50	-
1675.42	MHz (dB)	32	35	-
<b>VSWR</b> (1574.42~1576.42 MHz)		-	1.2	2.0
<b>Source impedance</b>	<b>Z<sub>s</sub></b> (Ω)	-	50	-
<b>Load impedance</b>	<b>Z<sub>L</sub></b> (Ω)	-	50	-

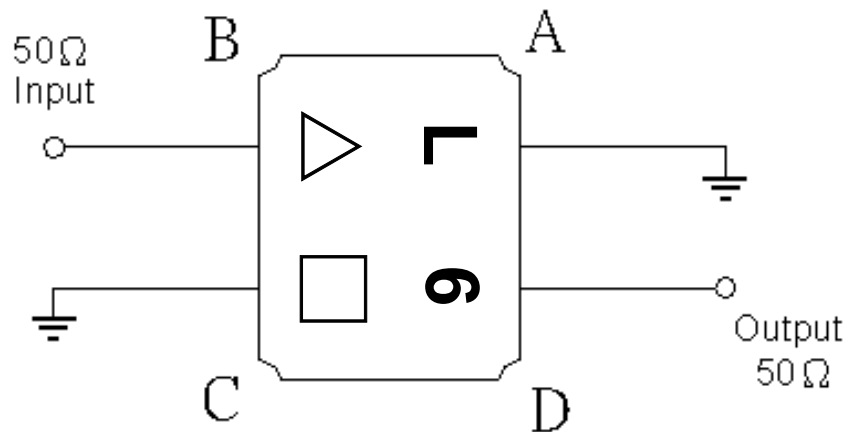
**C. OUTLINE DRAWING:**



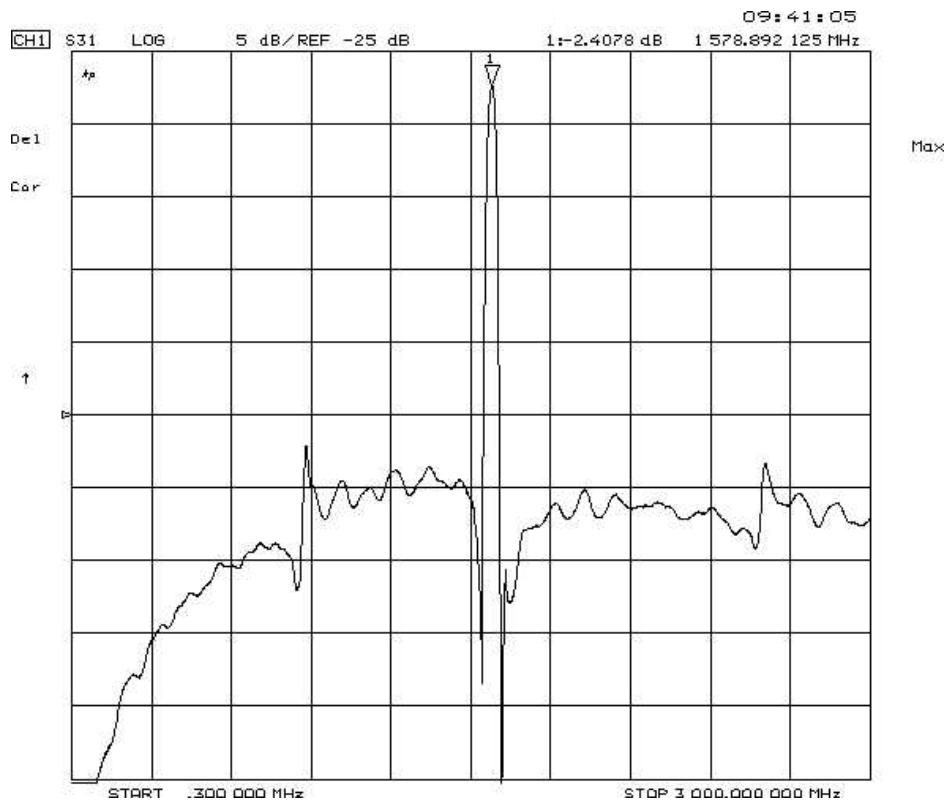
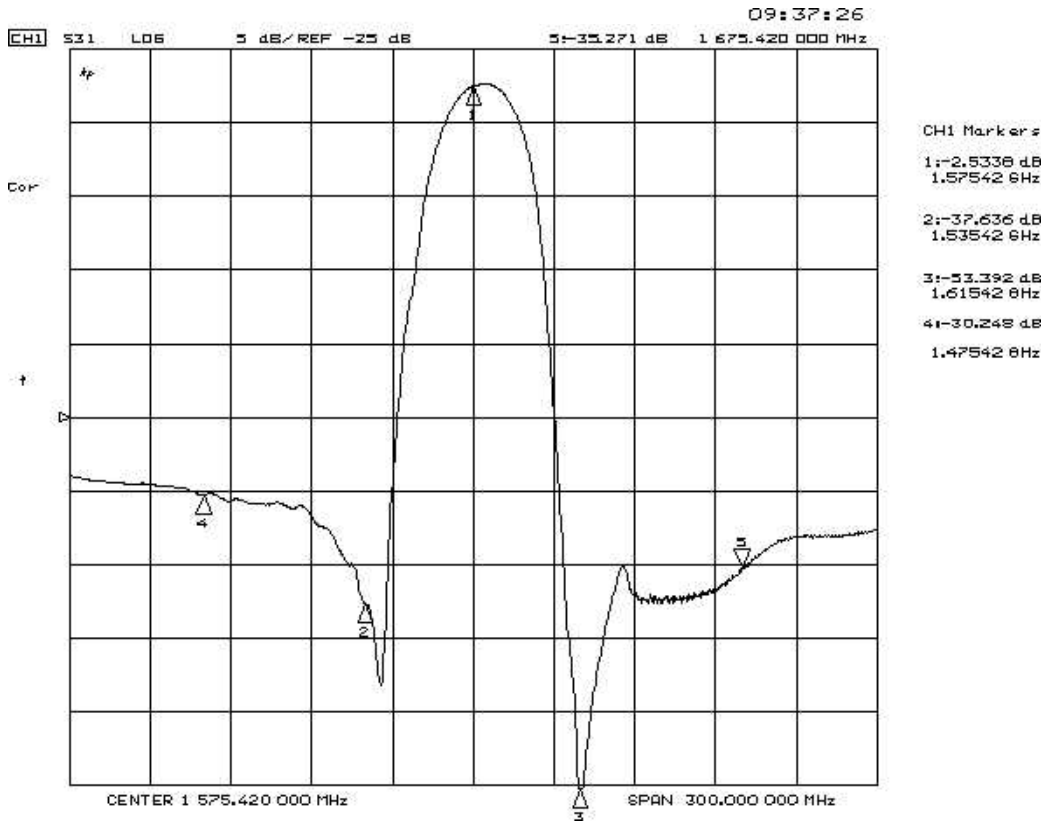
#B : Input  
 #D : Output  
 #A,C : Ground  
 Unit : mm

△ : Year Code  
 □ : Date Code

**D. MEASUREMENT CIRCUIT:**

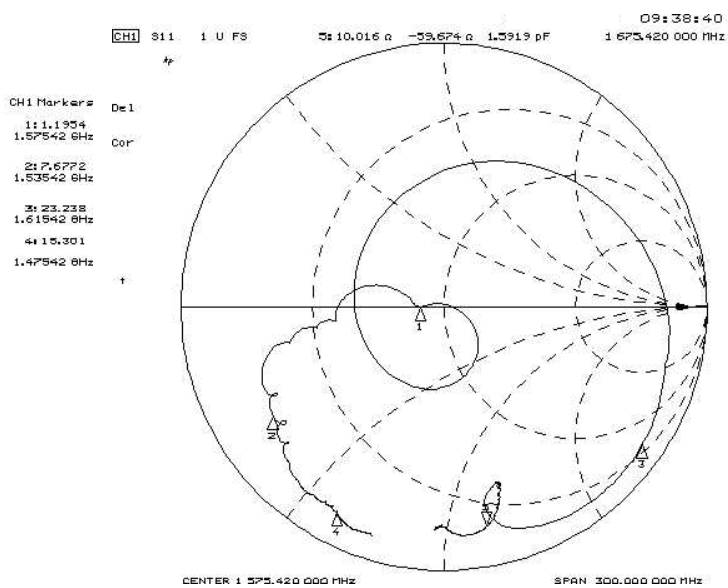
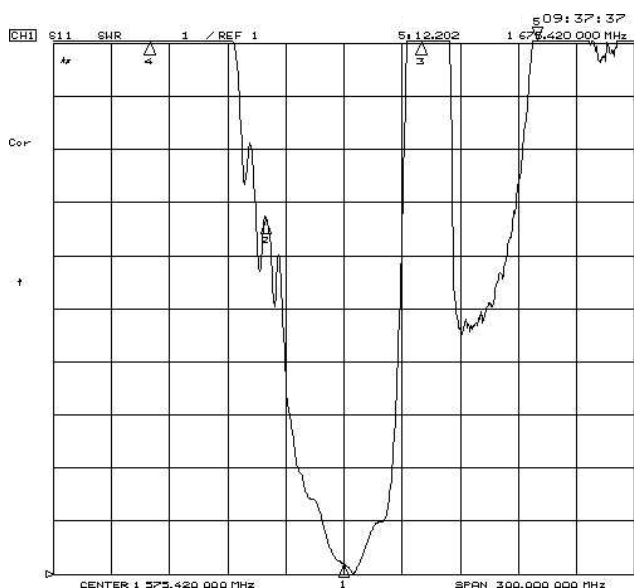


## E. Frequency Characteristics : Transfer function

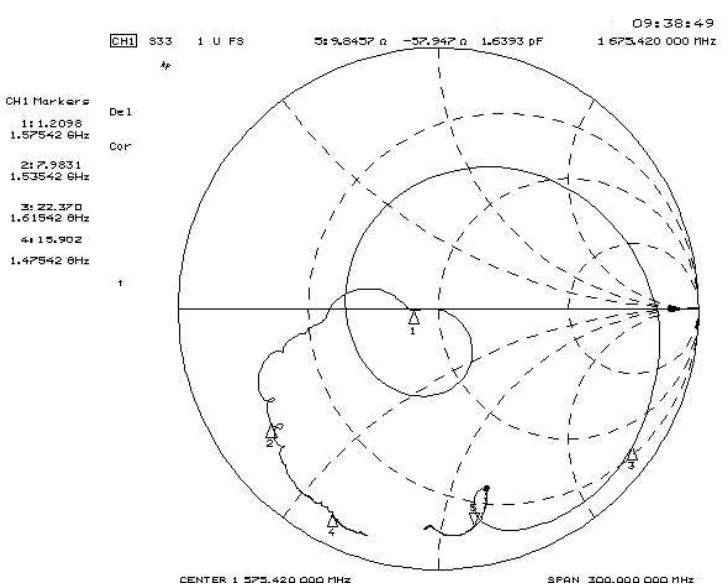
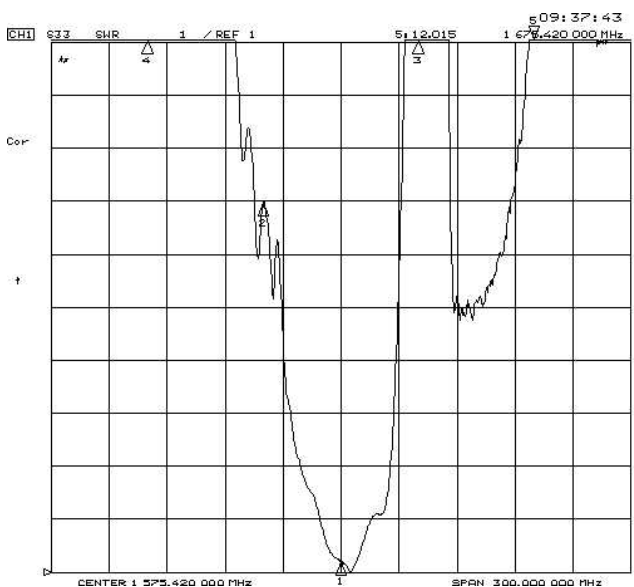


# Reflections Functions :

## S11 VSWR

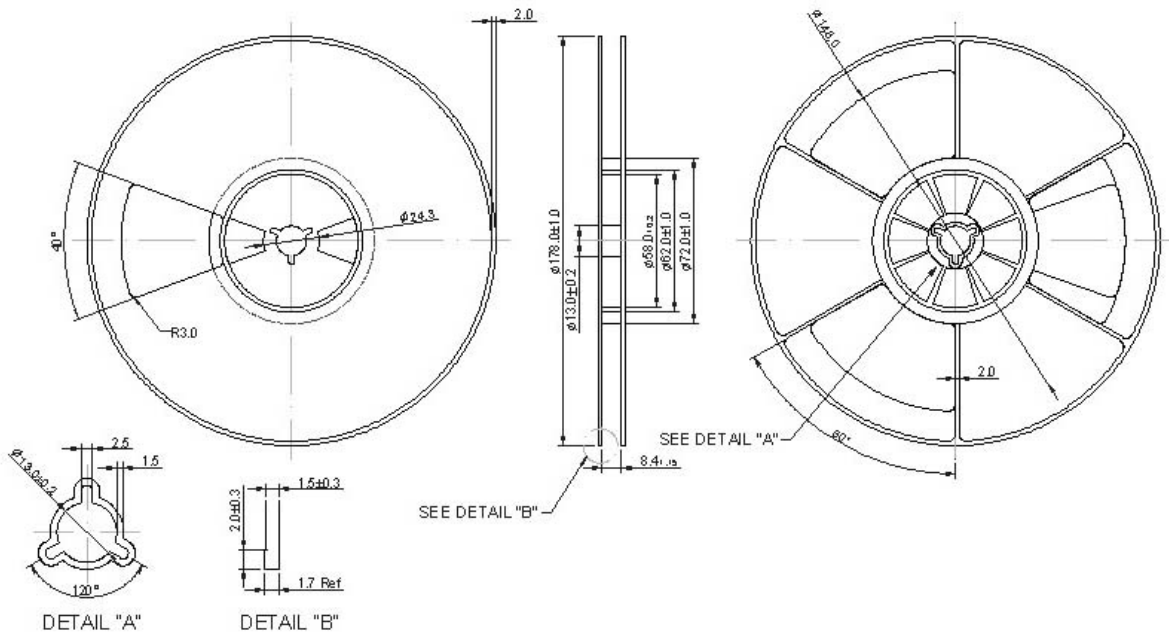


## S22 VSWR



## F. PACKING:

### 1. REEL DIMENSION



### 2. TAPE DIMENSION

