

FEATURES

- ◆ SMD package
- ◆ 4:1 wide input voltage range
- ◆ Short circuit protection(automatic recovery)
- ◆ 1500VDC isolation
- ◆ Operating temperature: -40℃ ~ +85℃
- ◆ No heatsink required
- ◆ No external component required
- ◆ MTBF>1,000,000 hours
- ◆ RoHS Compliance

MODEL SELECTION

WRA^①24^②05^③Z^④T^⑤-1W5^⑥

- ① Product Series
- ② Input Voltage
- ③ Output Voltage
- ④ Wide (4:1) Input Range
- ⑤ SMD Package
- ⑥ Rated Power

APPLICATIONS

The WRA_ZT-1W5&WRB_ZT-1W5 series are specially designed for applications where a wide range input voltage power supplies are isolated from the input power supply in a distributed power supply system on a circuit board.

These products apply to:

- 1) Where the voltage of the input power supply is wide range(voltage range ≤4:1);
- 2) Where isolation is necessary between input and output (isolation voltage ≤1500VDC);
- 3 here the regulation of the output voltage and the output ripple noise are demanded.

SELECTION GUIDE

Order code	Input Voltage(VDC)			Output			Efficiency (% Typ)
	Nominal	Range	Max.*	Voltage (VDC)	Current(mA)		
					Max.	Min.	
WRA2405ZT-1W5	24	9-36	40	±5	±150	±15	74
WRA2412ZT-1W5	24	9-36	40	±12	±63	±6	77
WRA2415ZT-1W5	24	9-36	40	±15	±50	±5	75
WRB2403ZT-1W5	24	9-36	40	3.3	500	50	71
WRB2405ZT-1W5	24	9-36	40	5	300	30	76
WRB2409ZT-1W5	24	9-36	40	9	167	17	76
WRB2412ZT-1W5	24	9-36	40	12	125	12	79
WRB2415ZT-1W5	24	9-36	40	15	100	10	80
WRA4805ZT-1W5	48	18-72	80	±5	±150	±15	74
WRA4812ZT-1W5	48	18-72	80	±12	±63	±6	76
WRA4815ZT-1W5	48	18-72	80	±15	±50	±5	76
WRB4803ZT-1W5	48	18-72	80	3.3	500	50	72
WRB4805ZT-1W5	48	18-72	80	5	300	30	75
WRB4809ZT-1W5	48	18-72	80	9	167	17	78
WRB4812ZT-1W5	48	18-72	80	12	125	12	77
WRB4815ZT-1W5	48	18-72	80	15	100	10	77

*Input voltage can't exceed this value, or will cause the permanent damage.

COMMON SPECIFICATIONS

Parameter	Test conditions	Min.	Typ.	Max.	Units
Storage humidity				95	%
Operating temperature		-40		85	℃
Storage Temp. range		-55		125	℃
Temp. rise at full load			15		℃
Lead temperature	1.5mm from case for 10 seconds			300	℃
Short circuit protection		Continuous, automatics recovery			
Cooling		Free air convection			
Case Material		Epoxy Resin (UL94-V0)			
MTBF		1000			K hours
Weight			5.2		g



ISOLATION SPECIFICATIONS

Parameter	Test conditions	Min.	Typ.	Max	Units
Isolation voltage	Tested for 1 minute and 1mA max	1500			VDC
Isolation resistance	Test at 500VDC	1000			MΩ
Isolation capacitance	Input/Output, 100KHz/1V		1000		μF

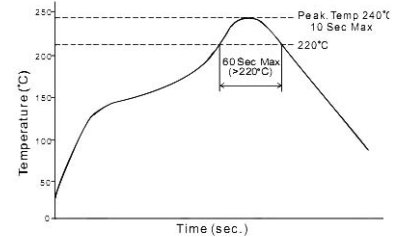
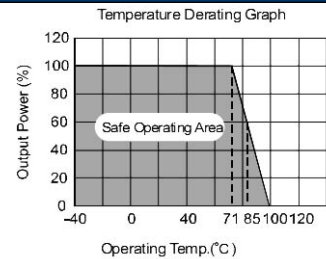
OUTPUT SPECIFICATIONS

Parameter	Test conditions	Min.	Typ.	Max	Units
Output power	Refer to products program	0.15		1.5	W
Positive voltage accuracy	Refer to recommended circuit		±1	±3	%
Negative voltage accuracy	Refer to recommended circuit		±3	±5	%
Load regulation	From 10% to 100% load		±0.5	±1.5*	%
Line regulation	Input voltage from low to high		±0.2	±0.75	%
Temperature Drift (Vout)	Refer to recommended circuit			±0.03	%/°C
Output ripple & noise**	20MHz Bandwidth		35	100	mVp-p
Switching Frequency	100% load, input voltage range		550		kHz

* Dual output models unbalanced load: ±5%.

**Test ripple and noise by "parallel cable" method. See detailed operation instructions at Testing of Power Converter section, application notes.

TYPICAL TEMPERATURE CURVE



Remark:
The curve applies only to the hot air reflow soldering

APPLICATION NOTE

1) Requirement on output load

In order to ensure the product operate efficiently and reliably, in addition to a max load (namely full load), a minimum load is specified for this kind of DC/DC converter. Make sure the specified range of input voltage is not exceeded, the minimum output load **no less than 10% load**. If the actual load is less than the specified minimum load, the output ripple may increase sharply while its efficiency and reliability will reduce greatly. If the actual output power is very small, please add an appropriate resistor as extra loading, or contact our company for other lower output power products.

2) Recommended Circuit

All the WRA_ZT-1W5 & WRB_ZT-1W5 series have been tested according to the following recommended testing circuit before leaving factory. This series should be tested under load (see Figure 1).

If you want to further decrease the input/output ripple, you can increase capacitance properly or choose capacitors with low ESR. However, the capacitance of the output filter capacitor must be proper. If the capacitance is too big, a startup problem might arise. For every channel of output, provided the safe and reliable operation is ensured, the maximum capacitance of its filter capacitor sees (Table 1). General:

Cin: 10μF~47μF

Cout: 10μF/100mA

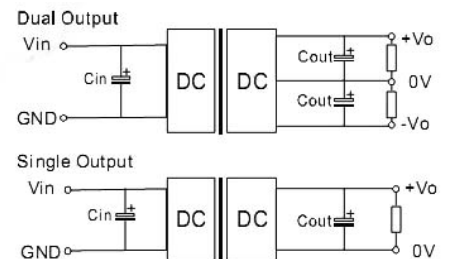
3) Input Current

When it is used in unregulated power supply, be sure that the fluctuating range of the power supply and the rippled voltage do not exceed the module standard. Input current of power supply should afford the flash startup current of this kind of DC/DC module (Figure 2)

General: $I_p \leq 1.6 \cdot I_{in-max}$

4) No parallel connection or plug and play

RECOMMENDED CIRCUIT



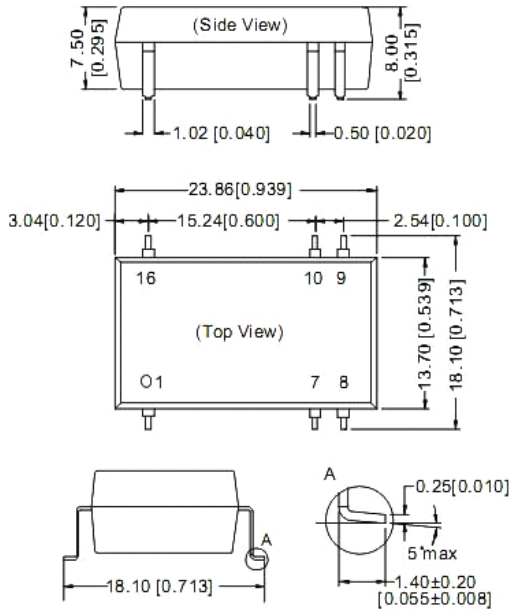
(Figure 1)

Output External Capacitor Table (Table 1)

Single Vout (VDC)	Cout (μF)	Dual Vout (VDC)	Cout (μF)
3.3	2200	±5	680
9	680	±12	330
5	1000	±15	220
12	470	-	-
15	330	-	-

OUTLINE DIMENSIONS & FOOTPRINT DETAILS

MECHANICAL DIMENSIONS



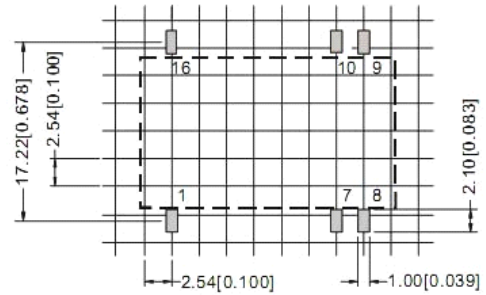
FOOTPRINT DETAILS		
Pin	Single	Dual
1	GND	GND
7	NC	NC
8	NC	0V
9	+Vo	+Vo
10	0V	-Vo
16	Vin	Vin

NC: No connection

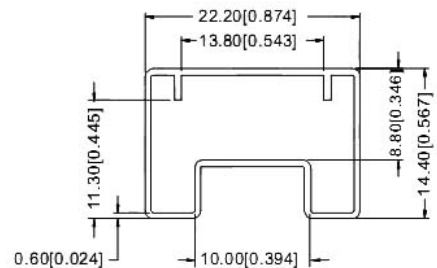
Note:
 Unit:mm[inch]
 Pin section tolerances:±0.10mm[±0.004inch]
 General tolerances:±0.25mm[±0.010inch]

RECOMMENDED FOOTPRINT(TOP VIEW)

DUAL/SINGLE OUTPUT



TUBE OUTLINE DIMENSIONS



Note:
 Unit :mm[inch]
 General tolerances: ±0.50mm[±0.020inch]

L=530mm[20.866inch] pcs/tube: 21
 L=220mm[8.661inch] pcs/tube: 8

Note:

1. The load shouldn't be less than 10%, otherwise ripple will increase dramatically.
2. Operation under 10% load will not damage the converter; However, they may not meet all specification listed.
3. Capacitor MAX load tested at input voltage range and full load.
4. All specifications measured at Ta=25°C, humidity<75%, nominal input voltage and rated output load unless otherwise specified.
5. Only typical models listed, other models may be different, please contact our technical person for more details.
6. In this datasheet, all the test methods of indications are based on corporate standards.

MICRODC

Professional Power Module

Microdc Professional Power Module, Inc.

Tel:0086-20-86000646 E-mail:tech@microdc.cn

Website:http://www.microdc.cn

Microdc Professional Power module, Inc. makes no representation that the use of its products in the circuits described herein, or the use of other technical information contained herein, will not infringe upon existing or future patent rights. Specifications are subject to change without notice.

©2010 Microdc Professional Power Module, Inc. Guangzhou



RoHS COMPLIANT INFORMATION

This series is compatible with RoHS soldering systems with a peak wave solder temperature of 300°C for 10 seconds. The pin termination finish on the SIP package type is Tin Plate, Hot Dipped over Matte Tin with Nickel Preplate. The DIP types are Matte Tin over Nickel Preplate. Both types in this series are backward compatible with Sn/Pb soldering systems.



REACH COMPLIANT INFORMATION

This series has proven that this product does not contain harmful chemicals, it also has harmful chemical substances through the registration, inspection and approval.