

MATERIALS AND FINISHES

BODY BRASS
PLATED GOLD

CENTER CONTACT BRASS
PLATED GOLD

INSULATOR TEFLON

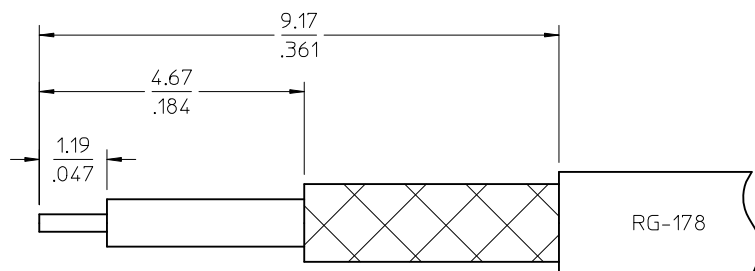
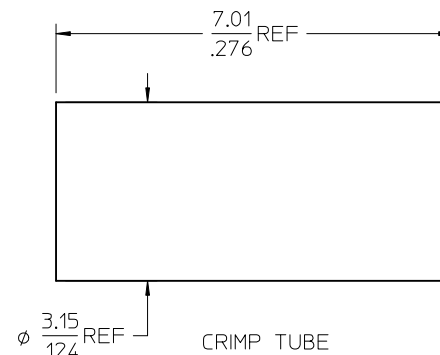
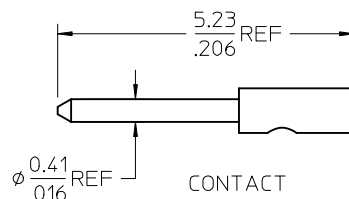
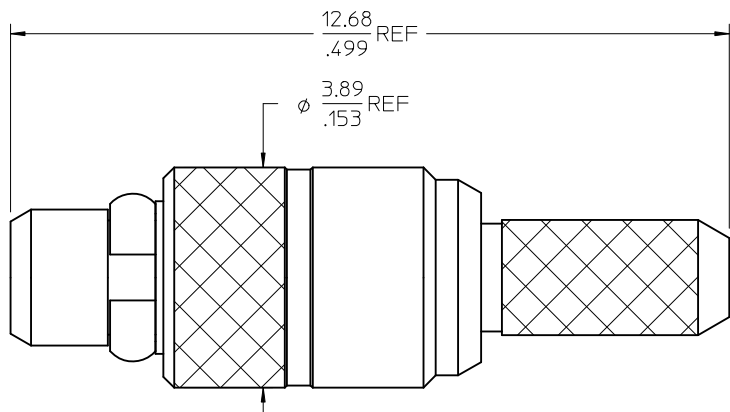
MMCX PLUG
INTERFACE

0.13±0.13
.005±.005

15.32
.603 REF

2.67
.105 HEX

RG178 CABLE



RECOMMENDED CABLE STRIP

73415-0972	P/N 73415-0971, ONE PIECE PER BAG
73415-0971	PER COMMERCIAL REQUIREMENTS, PACKAGING-BULK
73415-0970	PER MILITARY REQUIREMENTS, PACKAGING-BULK
PART NO.	PLATING AND PACKAGING

CECC 22 340	INTERFACE
PS-89675-1920	ELECTRO/MECH. PERFORM.
SPECIFICATION	DESCRIPTION

CHG: DELETE AS
INTERFACE
SPEC WAS
ES-73599-0000-0150
PS WAS -1900
ADD STRIPS
EC NO: URF2012-0021
2011/07/18
DRWN:WIENER
2011/07/18
CHKD:SSS
2011/07/20
APPR:WIENER
2011/07/20

QUALITY SYMBOLS ▽=0 ▽=0	GENERAL TOLERANCES (UNLESS SPECIFIED)	DIMENSION STYLE MM/IN	SCALE	DESIGN UNITS METRIC	THIRD ANGLE PROJECTION
	4 PLACES ± --- ± --- 3 PLACES ± --- ± --- 2 PLACES ± --- ± --- 1 PLACE ± --- ± ---	mm INCH	DRAWN BY DATE TEF 1999/02/15	TITLE MMCX PLUG, STRAIGHT 50 OHMS, FOR RG178 CABLE MMCX-PC	
ANGULAR ± 2 °	DRAFT WHERE APPLICABLE MUST REMAIN WITHIN DIMENSIONS	APPROVED BY DATE JOHNSON 2004/06/04	MATERIAL NO. MISEN 2004/06/04	MOLEX INCORPORATED	SHEET NO. 1 OF 1
REV B2	SEE TABLE	DOCUMENT NO. SD-73415-097	THIS DRAWING CONTAINS INFORMATION THAT IS PROPRIETARY TO MOLEX INCORPORATED AND SHOULD NOT BE USED WITHOUT WRITTEN PERMISSION		