

Octal E1 Transceiver Chip

OVERVIEW

www.datasheet4u.com

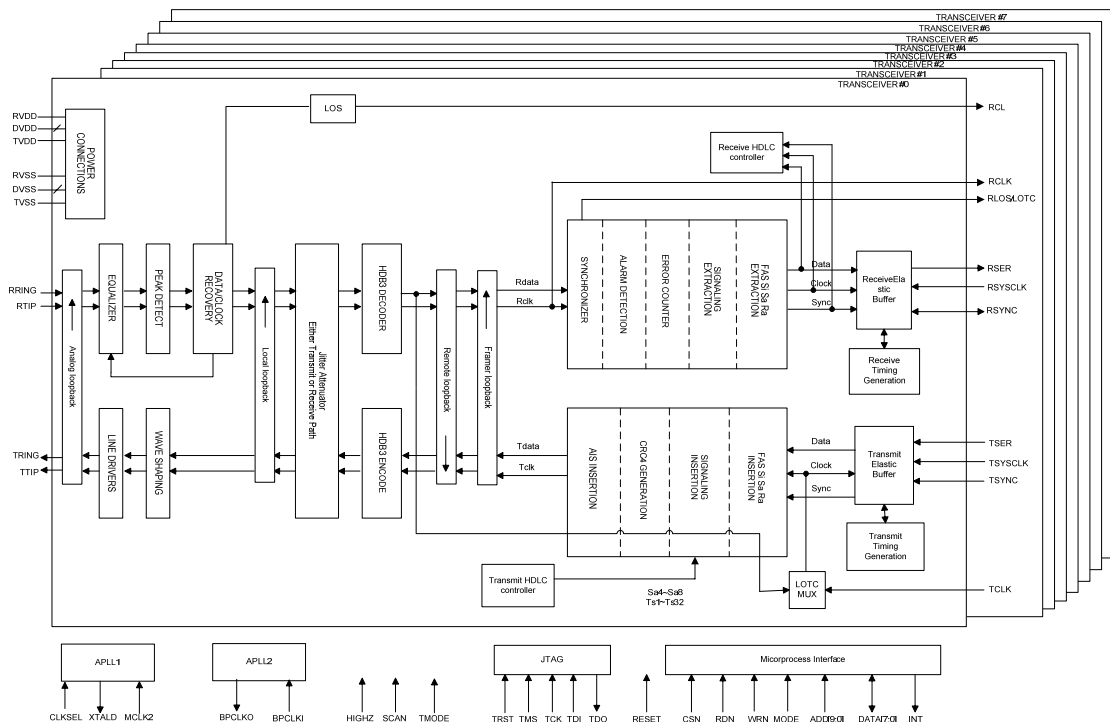
Octal E1 Transceiver CP5028 is one of the ETLINK series chips designed by Chiphomer Technology Company, it integrates eight independent E1 transceivers into a single chip. Each E1 transceiver works functionally as CP5021, which provide complete function of E1 line interface and E1 Framer.



PQFP208
-40 to 85 °C

FEATURES

- Eight channels E1 transceiver
- Onboard line interface for clock/data recovery and waveshaping
- Supports 75ohm E1 coaxial and 120ohm E1 twisted pair applications
- 32-bit or 64-bit jitter attenuator
- Loss of signal indication with programmable thresholds according to ITU G.775, ETS 300 233
- E1 Framer support framed or unframed data reception and transmission
- The transmit and receive sections of each transceiver are fully independent
- Frames FAS, CAS, CCS and CRC-4 formats
- Each transceiver contains two 512-bit elastic buffers respectively for receive and transmit direction, controlled slip capability and slip indication
- Supports Sa and Si bits insertion and extraction
- Provides 4 performance monitor counters for bipolar and code violations, CRC-4 errors, E bits and FAS word errors
- Detects and generates various alarm including RCL, RLOS, AIS, RRA, RDMA, RSA1, RSA0, RSC, RUA0.
- Integrated signaling controller
 - Inserts and Extracts CAS signaling
 - HDLC controller with two 64-byte buffers



Octal E1 Transceiver Chip

- Support four separate loop-backs for testing functions
- 8-bit microprocessor interface supports both Intel and Motorola bus mode.
- JTAG boundary scan meet IEEE 1149.1
- CMOS 3.3 V technology, 5 V tolerant inputs
- Maximum power \leq 800 mill watt
- Operating Industrial temperature range: -40°C ~ 85°C
- eLQFP208 package

APPLICATIONS

- PBX
- Digital Access Cross Connect Systems (DACs)
- SONET/SDH Add/Drop Multiplexer
- VoIP Gateways, Multiplexer

Chiphomer Technology Limited
Add: 4F, Building D, 1618 Yishan Road Shanghai, P.R.C
Tel: +86-(0)21-64058488
Fax: +86-(0)21-64050030
Email: sales@chiphomer.com
Web: www.chiphomer.com