

10500 × 3 pixel CCD Linear Sensor (Color)

Description

The ILX734LA is a reduction type CCD linear sensor developed for color image scanner, and has shutter function per each color. This sensor reads A4-size documents at a density of 1200 DPI.

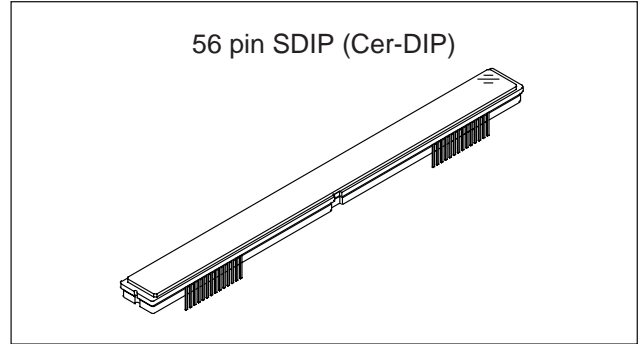
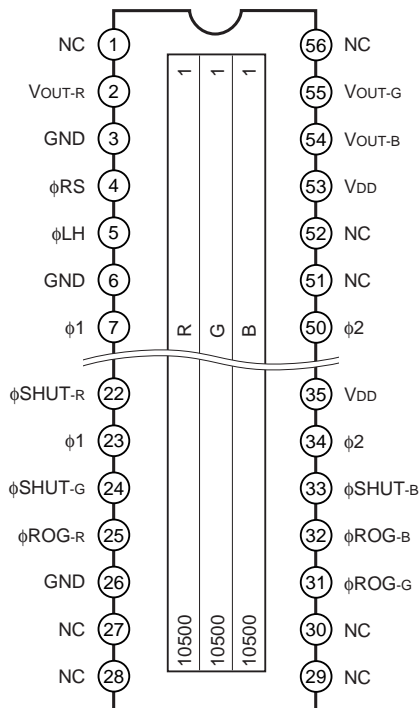
Features

- Number of effective pixels: 31500 pixels (10500 pixels × 3)
- Pixel size: 8μm × 8μm (8μm pitch)
- Distance between line: 64μm (8 lines)
- Single-sided readout
- Shutter function
- Ultra low lag/High sensitivity
- Single 12V power supply
- Input Clock Pulse: CMOS 5V drive
- Number of output: 3 (R, G, B)
- Package: 56 pin SDIP (400 mil)

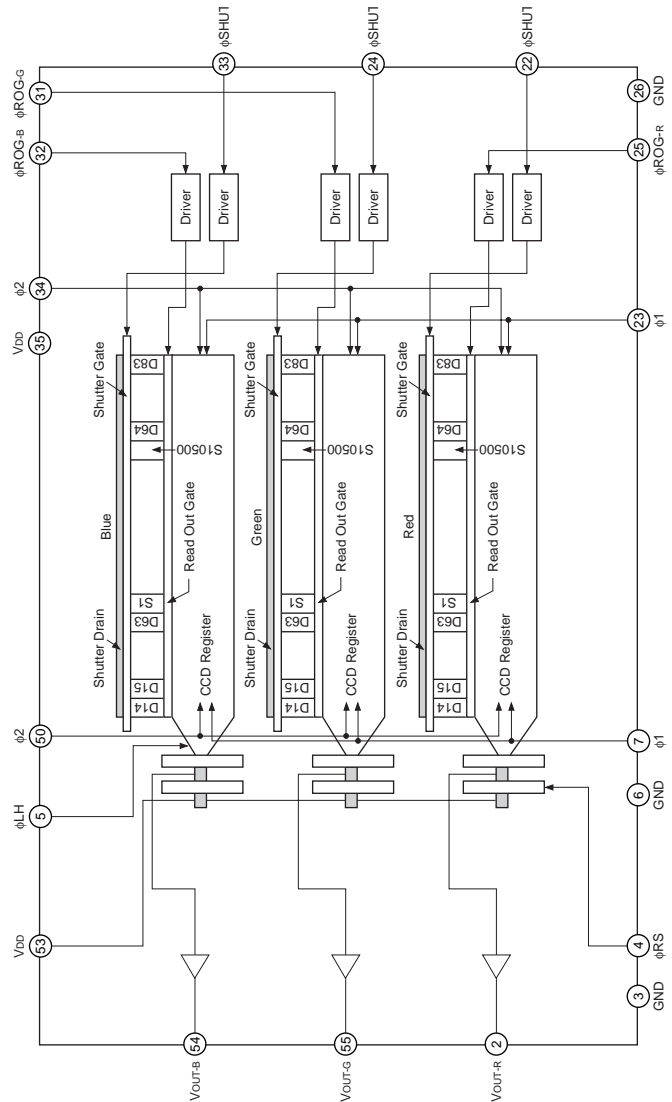
Absolute Maximum Ratings

- Supply voltage V_{DD} 15 V
- Operating temperature -10 to +55 °C
- Storage temperature -30 to +80 °C

Pin Configuration (Top View)



Block Diagram



Sony reserves the right to change products and specifications without prior notice. This information does not convey any license by any implication or otherwise under any patents or other right. Application circuits shown, if any, are typical examples illustrating the operation of the devices. Sony cannot assume responsibility for any problems arising out of the use of these circuits.

Pin Description (Pins other than below are defined as NC.)

Pin No.	Symbol	Description	Pin No.	Symbol	Description
1	NC	NC	31	ϕ ROG-G	Clock pulse input
2	V _{OUT-R}	Signal out (red)	32	ϕ ROG-B	Clock pulse input
3	GND	GND	33	ϕ SHUT-B	Clock pulse input
4	ϕ RS	Clock pulse input	34	ϕ 2	Clock pulse input
5	ϕ LH	Clock pulse input	35	V _{DD}	12V power supply
6	GND	GND	50	ϕ 2	Clock pulse input
7	ϕ 1	Clock pulse input	51	NC	NC
22	ϕ SHUT-R	Clock pulse input	52	NC	NC
23	ϕ 1	Clock pulse input	53	V _{DD}	12V power supply
24	ϕ SHUT-G	Clock pulse input	54	V _{OUT-B}	Signal out (blue)
25	ϕ ROG-R	Clock pulse input	55	V _{OUT-G}	Signal out (green)
26	GND	GND	56	NC	NC

Recommended Supply Voltage

Item	Min.	Typ.	Max.	Unit
V _{DD}	11.4	12	12.6	V

Clock Characteristics

Item	Symbol	Min.	Typ.	Max.	Unit
Input capacity of ϕ 1, ϕ 2	C ϕ 1, C ϕ 2	—	1600	—	pF
Input capacity of ϕ LH	C ϕ LH	—	10	—	pF
Input capacity of ϕ RS	C ϕ RS	—	10	—	pF
Input capacity of ϕ ROG, ϕ SHUT*1	C ϕ ROG, C ϕ SHUT	—	10	—	pF

*1 It indicates that ϕ ROG-R, ϕ ROG-G, ϕ ROG-B as ϕ ROG, ϕ SHUT-R, ϕ SHUT-G, ϕ SHUT-B as ϕ SHUT.

Clock Frequency

Item	Symbol	Min.	Typ.	Max.	Unit
ϕ 1, ϕ 2, ϕ LH, ϕ RS	f ϕ 1, f ϕ 2, f ϕ LH, f ϕ RS	—	1	5	MHz

Input Clock Pulse Voltage Condition

Item		Min.	Typ.	Max.	Unit
ϕ 1, ϕ 2, ϕ LH, ϕ RS, ϕ ROG, ϕ SHUT pulse voltage	High level	4.75	5.0	5.25	V
	Low level	—	0	0.1	V

Electrooptical Characteristics (Note 1)

(Ta = 25°C, VDD = 12V, fφRS = 1MHz, Input clock = 5Vp-p, Light source = 3200K, IR cut filter CM-500S (t = 1.0mm))

Item	Symbol	Min.	Typ.	Max.	Unit	Remarks	
Sensitivity	Red	RR	1.3	2.0	2.7	V/(lx · s)	Note 2
	Green	RG	2.1	3.2	4.3		
	Blue	RB	1.6	2.5	3.4		
Sensitivity nonuniformity	PRNU	—	6	20	%	Note 3	
Saturation output voltage	VSAT	2	3.2	—	V	Note 4	
Saturation exposure	Red	SER	0.74	1.6	—	lx · s	Note 5
	Green	SEG	0.46	1	—		
	Blue	SEB	0.58	1.28	—		
Dark voltage average	VDRK	—	0.3	2.2	mV	Note 6	
Dark signal nonuniformity	DSNU	—	1.5	5.5	mV	Note 6	
Image lag	IL	—	0.02	—	%	Note 7	
Supply current	IVDD	—	26	50	mA	—	
Total transfer efficiency	TTE	92	95	—	%	—	
Output impedance	Zo	—	250	—	Ω	—	
Offset level	Vos	—	6.5	—	V	Note 8	
Dynamic range	DR	1000	10670	—	—	Note 9	

Notes)

- In accordance with the given electrooptical characteristics, the black level is defined as the average value of D2, D3 to D12.
- For the sensitivity test light is applied with a uniform intensity of illumination.
- PRNU is defined as indicated below. Ray incidence conditions are the same as for Note 2.

$$V_{OUT-G} = 500\text{mV (Typ.)}$$

$$PRNU = \frac{(V_{MAX} - V_{MIN})/2}{V_{AVE}} \times 100 [\%]$$

Where the 10500 pixels are divided into blocks of 100. The maximum output of each block is set to VMAX, the minimum output to VMIN and the average output to VAVE.

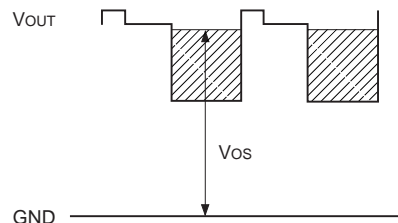
- Use below the minimum value of the saturation output voltage.
- Saturation exposure is defined as follows.

$$SE = V_{SAT}/R$$

Where R indicates RR, RG, RB, and SE indicates SER, SEG, SEB.

- Optical signal accumulated time τ int stands at 11ms.
- VOUT-G = 500mV (Typ.)
- Vos is defined as indicated bellow.

VOUT indicates VOUT-R, VOUT-G, and VOUT-B.

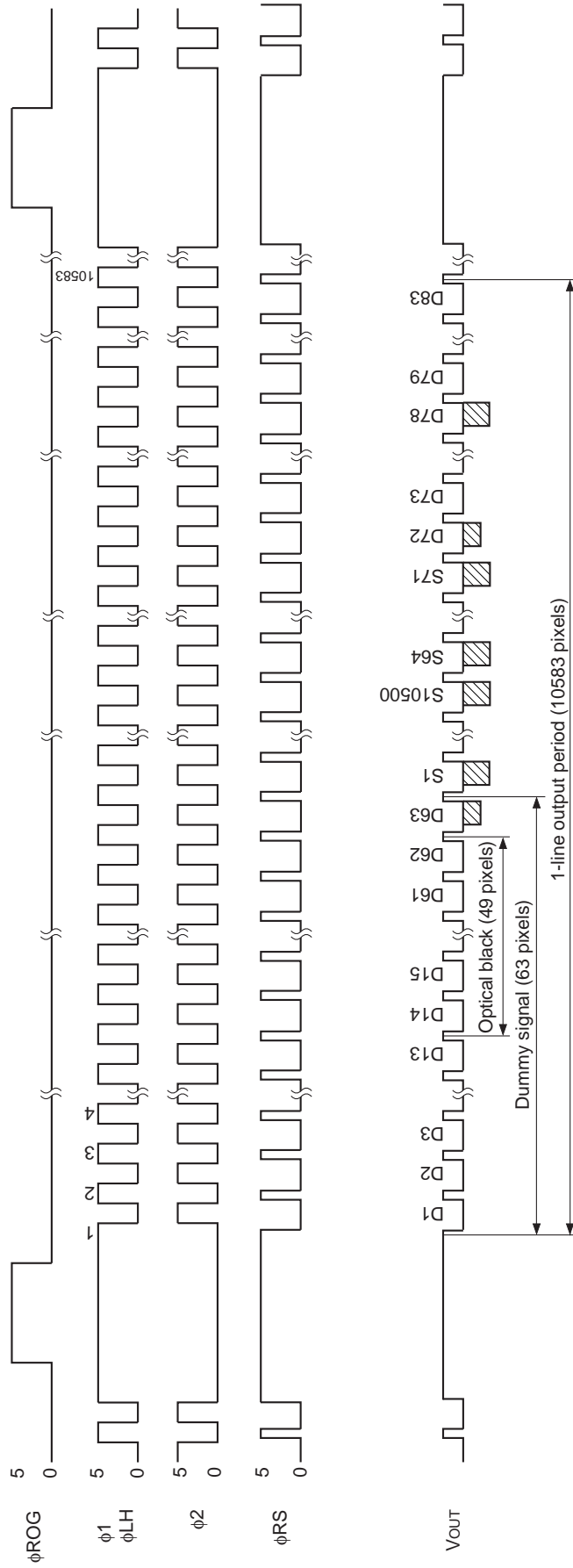


- Dynamic range is defined as follows.

$$DR = V_{SAT}/V_{DRK}$$

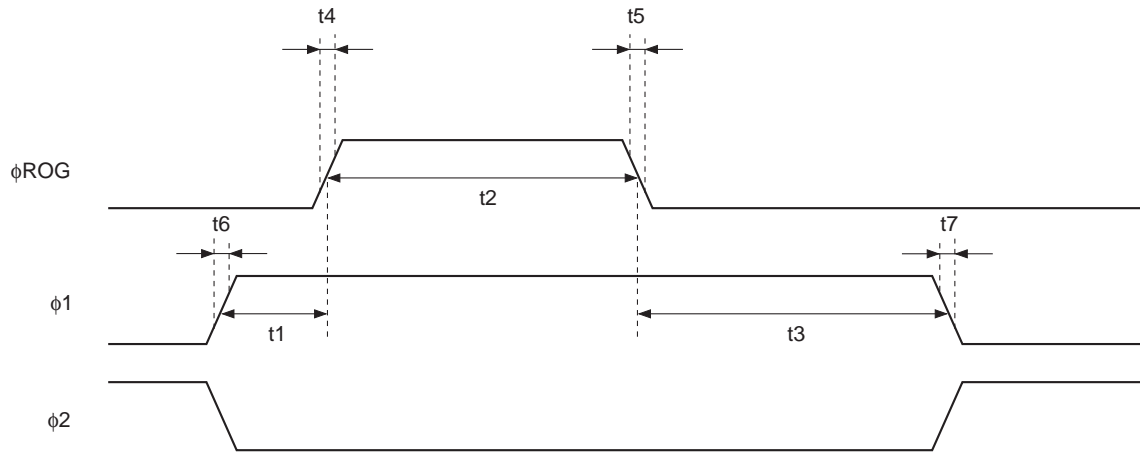
When the optical signal accumulated time is shorter, the dynamic range gets wider because the optical signal accumulated time is in proportion to the dark voltage.

Clock Timing Chart 1

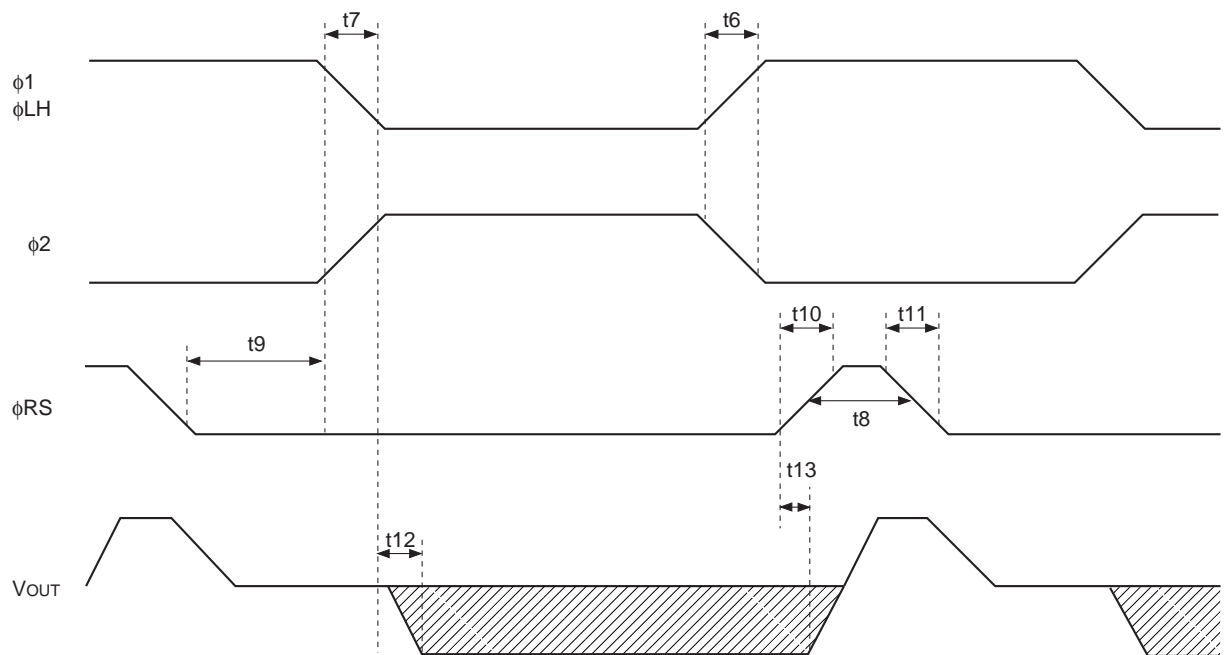


Note) The transfer pulses (ϕ_1 , ϕ_2 , ϕ_{LH}) must have more than 10583 cycles.
 V_{out} indicates V_{out-R} , V_{out-G} , V_{out-B} .

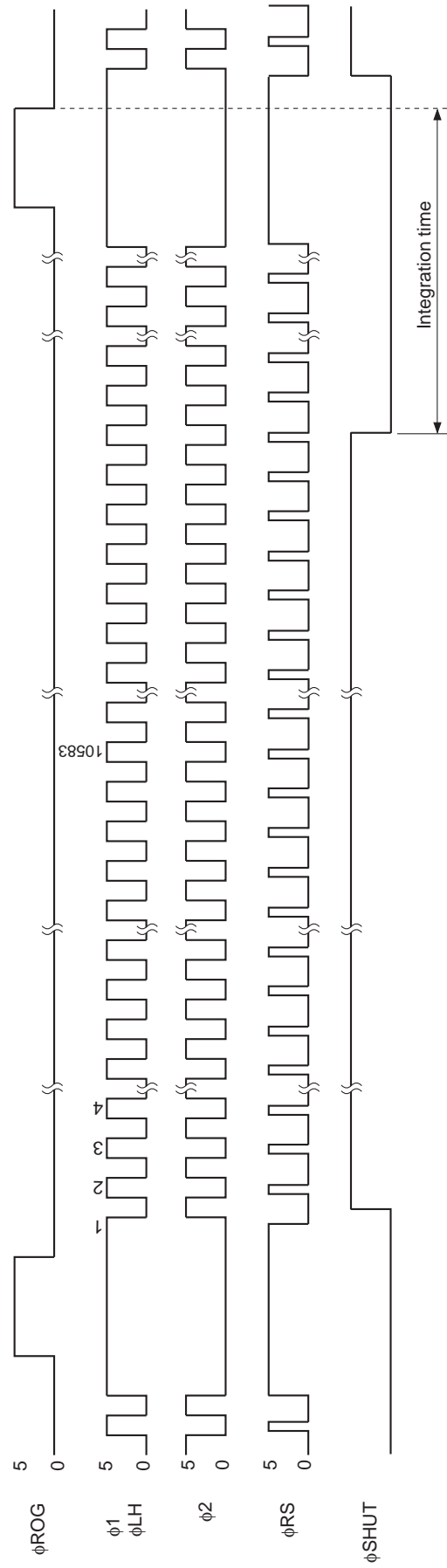
Clock Timing Chart 2



Clock Timing Chart 3



Clock Timing Chart 4 (Shutter Operation)



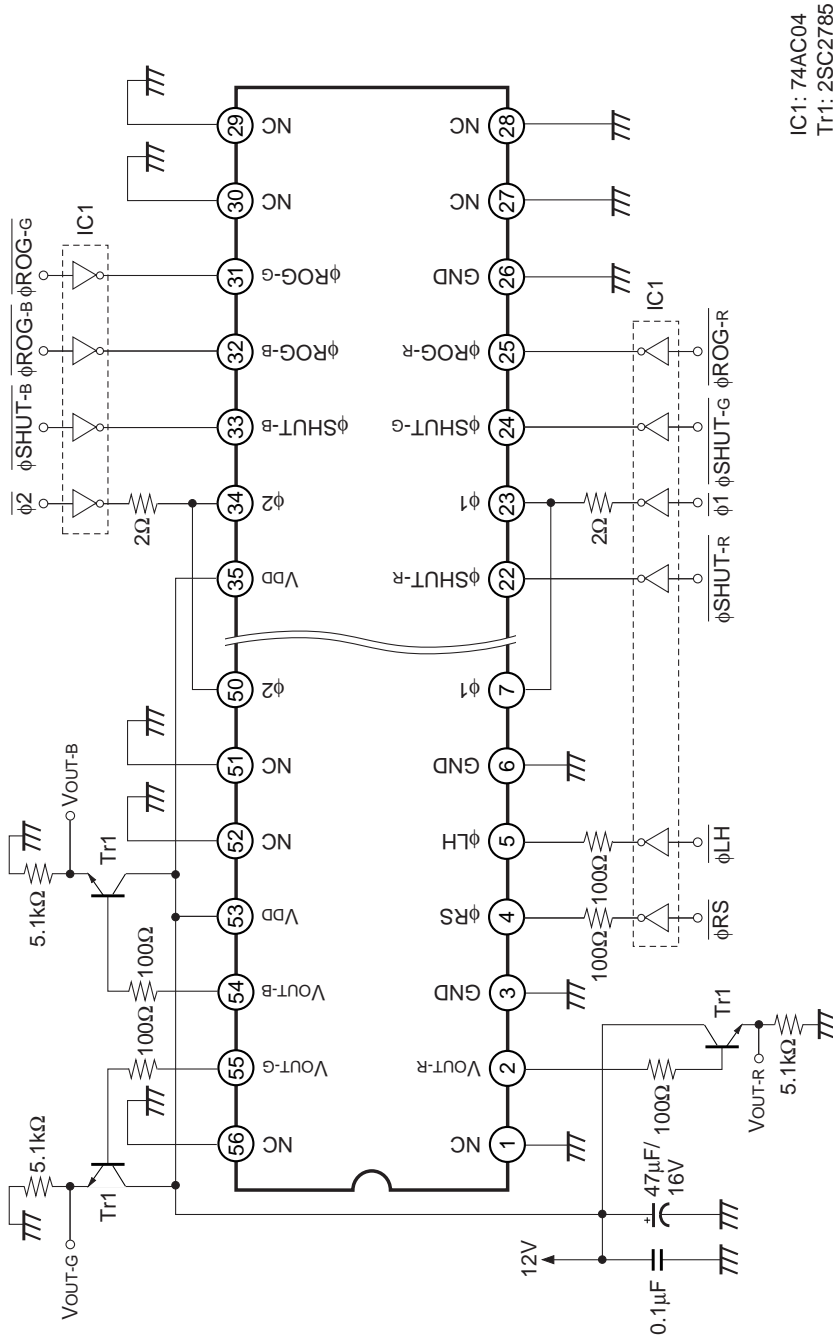
Note) Shutter pulse must not be low level during from 2 to 10583 of phi1.
Integration time can be controlled by changing the timing phi SHUT fall.

Clock Pulse Recommended Timing

Item	Symbol	Min.	Typ.	Max.	Unit
ϕ ROG, ϕ 1 pulse timing	t1	50	100	—	ns
ϕ ROG pulse high level period	t2	1200	3000	—	ns
ϕ ROG, ϕ 1 pulse timing	t3	1200	3000	—	ns
ϕ ROG pulse rise time	t4	0	5	10	ns
ϕ ROG pulse fall time	t5	0	5	10	ns
ϕ 1 pulse rise time/ ϕ 2 pulse fall time	t6	0	20	60	ns
ϕ 1 pulse fall time/ ϕ 2 pulse rise time	t7	0	20	60	ns
ϕ RS pulse high level period	t8	45	250*1	—	ns
ϕ RS, ϕ LH pulse timing	t9	45	250*1	—	ns
ϕ RS pulse rise time	t10	0	10	30	ns
ϕ RS pulse fall time	t11	0	10	30	ns
Signal output delay time	t12	—	10	—	ns
	t13	—	10	—	ns

*1 These timing data are the recommended condition under $f_{\phi RS} = 1\text{MHz}$.

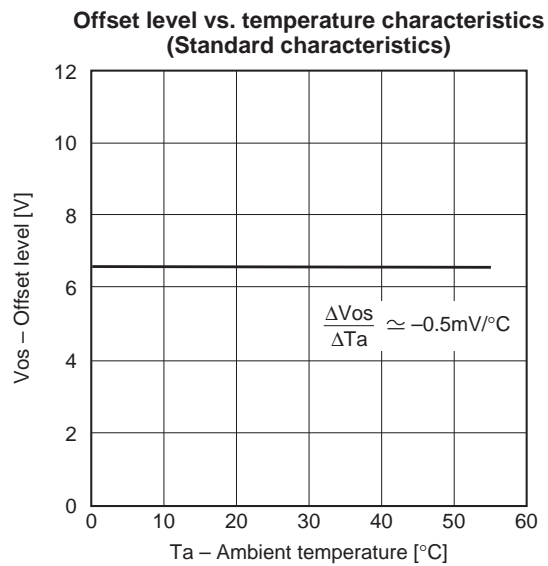
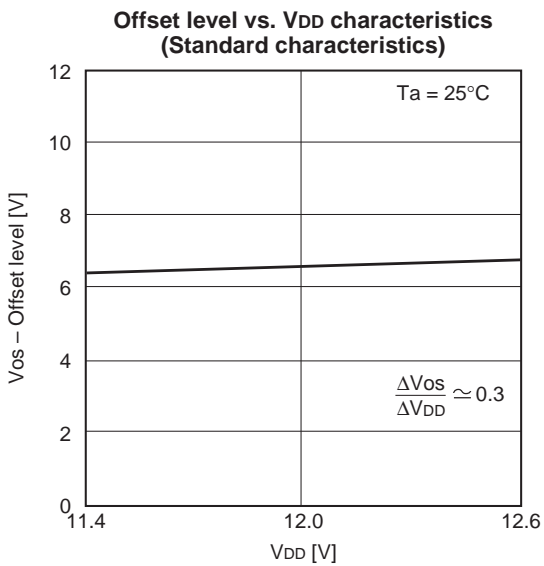
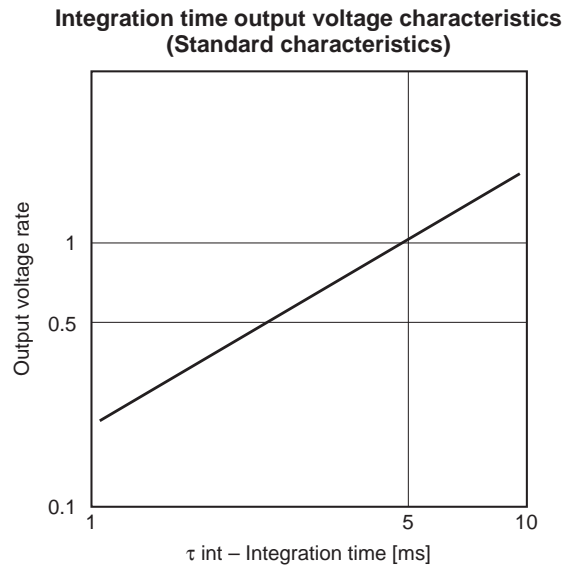
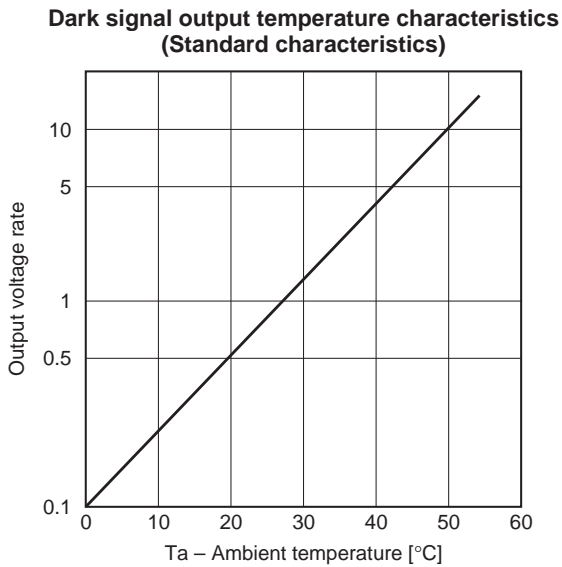
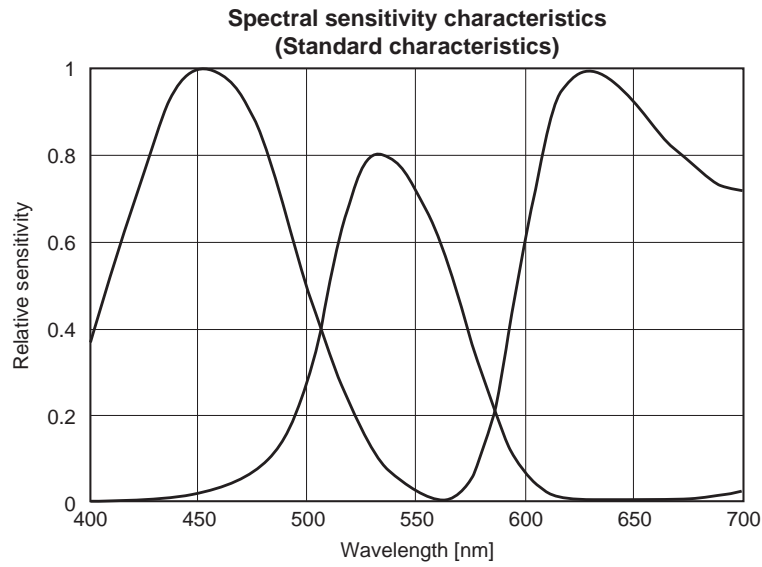
Application Circuit*1



*1 Data rate $f_{\phi RS} = 1\text{MHz}$. In the case of $f_{\phi RS} = 5\text{MHz}$, 3 pieces of 74AC04 are recommended to use for $\phi 1$ and $\phi 2$ driver.

Application circuits shown are typical examples illustrating the operation of the devices. Sony cannot assume responsibility for any problems arising out of the use of these circuits or for any infringement of third party patent and other right due to same.

Example of Representative Characteristics ($V_{DD} = 12V$, $T_a = 25^\circ C$)



Notes of Handling

1) Static charge prevention

CCD image sensors are easily damaged by static discharge. Before handling be sure to take the following protective measures.

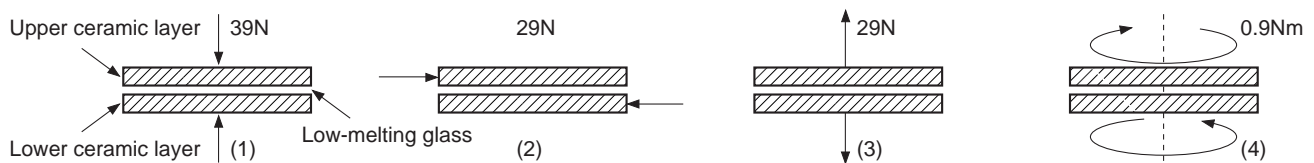
- a) Either handle bare handed or use non chargeable gloves, clothes or material.
Also use conductive shoes.
- b) When handling directly use an earth band.
- c) Install a conductive mat on the floor or working table to prevent the generation of static electricity.
- d) Ionized air is recommended for discharge when handling CCD image sensor.
- e) For the shipment of mounted substrates, use boxes treated for prevention of static charges.

2) Notes on Handling CCD Cer-DIP Packages

The following points should be observed when handling and installing cer-DIP packages.

a) Remain within the following limits when applying static load to the ceramic portion of the package:

- (1) Compressive strength: 39N/surface (Do not apply load more than 0.7mm inside the outer perimeter of the glass portion.)
- (2) Shearing strength: 29N/surface
- (3) Tensile strength: 29N/surface
- (4) Torsional strength: 0.9Nm



b) In addition, if a load is applied to the entire surface by a hard component, bending stress may be generated and the package may fracture, etc., depending on the flatness of the ceramic portion. Therefore, for installation, either use an elastic load, such as a spring plate, or an adhesive.

c) Be aware that any of the following can cause the glass to crack: because the upper and lower ceramic layers are shielded by low-melting glass,

- (1) Applying repetitive bending stress to the external leads.
- (2) Applying heat to the external leads for an extended period of time with soldering iron.
- (3) Rapid cooling or heating.
- (4) Rapid cooling or impact to a limited portion of the low-melting glass with a small-tipped tool such as tweezers.
- (5) Prying the upper or lower ceramic layers away at a support point of the low-melting glass.

Note that the preceding notes should also be observed when removing a component from a board after it has already been soldered.

3) Soldering

- a) Make sure the package temperature does not exceed 80°C.
- b) Solder dipping in a mounting furnace causes damage to the glass and other defects. Use a grounded 30W soldering iron and solder each pin in less than 2 seconds. For repairs and remount, cool sufficiently.
- c) To dismount an imaging device, do not use a solder suction equipment. When using an electric desoldering tool, ground the controller. For the control system, use a zero cross type.

- 4) Dust and dirt protection
 - a) Operate in clean environments.
 - b) Do not either touch glass plates by hand or have any object come in contact with glass surfaces. Should dirt stick to a glass surface, blow it off with an air blower. (For dirt stuck through static electricity ionized air is recommended.)
 - c) Clean with a cotton bud and ethyl alcohol if the glass surface is grease stained. Be careful not to scratch the glass.
 - d) Keep in a case to protect from dust and dirt. To prevent dew condensation, preheat or precool when moving to a room with great temperature differences.
- 5) Exposure to high temperatures or humidity will affect the characteristics. Accordingly avoid storage or usage in such conditions.
- 6) CCD image sensors are precise optical equipment that should not be subject to mechanical shocks.

