

5.0V PC REAL TIME CLOCK

FEATURES SUMMARY

- DROP-IN REPLACEMENT FOR PC COMPUTER CLOCK/CALENDAR
- COUNTS SECONDS, MINUTES, HOURS, DAYS, DAY OF THE WEEK, DATE, MONTH, and YEAR WITH LEAP YEAR COMPENSATION
- INTERFACED WITH SOFTWARE AS 128 RAM LOCATIONS:
 - 14 Bytes of Clock and Control Registers
 - 114 Bytes of General Purpose RAM
- SELECTABLE BUS TIMING (Intel/Motorola)
- THREE INTERRUPTS ARE SEPARATELY SOFTWARE-MASKABLE and TESTABLE
 - Time-of-Day Alarm (Once/Second to Once/Day)
 - Periodic Rates from 122µs to 500ms
 - End-of-Clock Update Cycle
- PROGRAMMABLE SQUARE WAVE OUTPUT
- 10 YEARS OF DATA RETENTION AND CLOCK OPERATION IN THE ABSENCE OF POWER
- SELF-CONTAINED BATTERY and CRYSTAL IN THE CAPHAT DIP PACKAGE
- PACKAGING INCLUDES A 28-LEAD SOIC and SNAPHAT® TOP (to be Ordered Separately)
- SOIC PACKAGE PROVIDES DIRECT CONNECTION FOR A SNAPHAT TOP CONTAINS THE BATTERY and CRYSTAL
- PIN and FUNCTION COMPATIBLE WITH bq3285/7A and DS12887

Figure 1. 24-pin PCDIP, CAPHAT™ Package

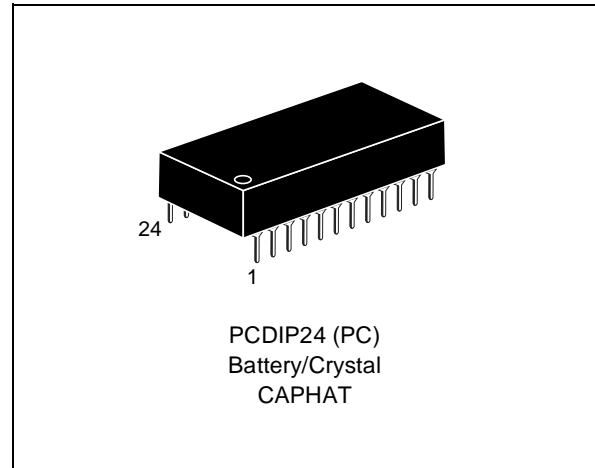


Figure 2. 28-pin SOIC Package

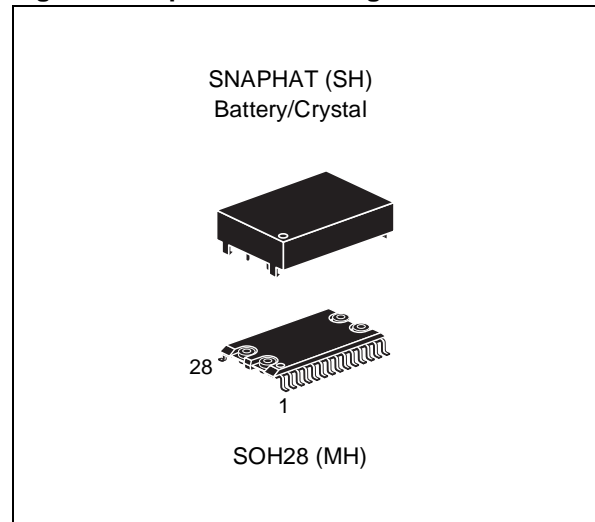


TABLE OF CONTENTS

SUMMARY DESCRIPTION **4**

- Logic Diagram (Figure 3.) 4
- Signal Names (Table 1.) 4
- 24-pin DIP Connections (Figure 4.) 5
- 28-pin SOIC Connections (Figure 5.) 5
- Block Diagram (Figure 6.) 5

MAXIMUM RATING **6**

- Absolute Maximum Ratings (Table 2.) 6

DC AND AC PARAMETERS **7**

- Operating and AC Measurement Conditions (Table 3.) 7
- AC Testing Load Circuit (No IRQ) (Figure 7.) 7
- AC Testing Load Circuit (with IRQ) (Figure 8.) 7
- Capacitance (Table 4.) 7
- DC Characteristics (Table 5.) 8

OPERATION **8**

- Signal Description 8
- Non-Volatile RAM 9
- Intel Bus READ AC Waveform (Figure 9.) 9
- Intel Bus WRITE Mode AC Waveform (Figure 10.) 10
- Motorola Bus READ/WRITE Mode AC Waveforms (Figure 11.) 10
- AC Characteristics (Table 6.) 11

CLOCK OPERATIONS **12**

- Address Map 12
- Time, Calendar, and Alarm Locations 12
- Address Map (Figure 12.) 12
- Time, Calendar, and Alarm Formats (Table 7.) 13
- Interrupts 13
- Periodic Interrupt 14
- Alarm Interrupt 14
- Update Cycle Interrupt 14
- Oscillator Control Bits 14
- Update Cycle 14
- Power Down/Up Mode AC Waveforms (Figure 13.) 15
- Power Down/Up Mode AC Characteristics (Table 8.) 15
- Power Down/Up Trip Points DC Characteristics (Table 9.) 15
- Square Wave Output Selection 16
- Square Wave Frequency/Periodic Interrupt Rate (Table 10.) 16

| | |
|---|-----------|
| Register A | 17 |
| REGISTER A (Table 11.) | 17 |
| Update Period Timing and UIP (Figure 14.) | 17 |
| Register B | 18 |
| 24/12 | 18 |
| DSE. Daylight Savings Enable | 18 |
| REGISTER B (Table 12.) | 18 |
| Update-ended/Periodic Interrupt Relationship (Figure 15.) | 19 |
| Register C | 20 |
| Register D | 20 |
| REGISTER C (Table 13.) | 20 |
| REGISTER D (Table 14.) | 20 |
| V _{CC} Noise And Negative Going Transients. | 21 |
| Supply Voltage Protection (Figure 16.) | 21 |
| PART NUMBERING | 22 |
| SNAPHAT Battery Table (Table 16.) | 22 |
| PACKAGE MECHANICAL INFORMATION | 23 |
| REVISION HISTORY | 27 |

SUMMARY DESCRIPTION

The M48T86 is an industry standard Real Time Clock (RTC). The M48T86 is composed of a lithium energy source, quartz crystal, write protection circuitry, and a 128-byte RAM array. This provides the user with a complete subsystem packaged in either a 24-pin DIP CAPHAT™ or 28-pin SNAPHAT® SOIC. Functions available to the user include a non-volatile time-of-day clock, alarm interrupts, a one-hundred-year clock with programmable interrupts, square wave output, and 128 bytes of non-volatile static RAM.

The 24-pin, 600mil DIP CAPHAT houses the M48T86 silicon with a quartz crystal and a long-life lithium button cell in a single package.

The 28-pin, 330mil SOIC provides sockets with gold plated contacts at both ends for direct connection to a separate SNAPHAT® housing con-

taining the battery and crystal. The unique design allows the SNAPHAT battery package to be mounted on top of the SOIC package after the completion of the surface mount process.

Insertion of the SNAPHAT housing after reflow prevents potential battery and crystal damage due to the high temperatures required for device surface-mounting. The SNAPHAT housing is keyed to prevent reverse insertion.

The SOIC and battery packages are shipped separately in plastic anti-static tubes or in Tape & Reel form.

For the 28-lead SOIC, the battery/crystal package part number is "M4T28-BR12SH" (see Table 16, page 22).

Figure 3. Logic Diagram

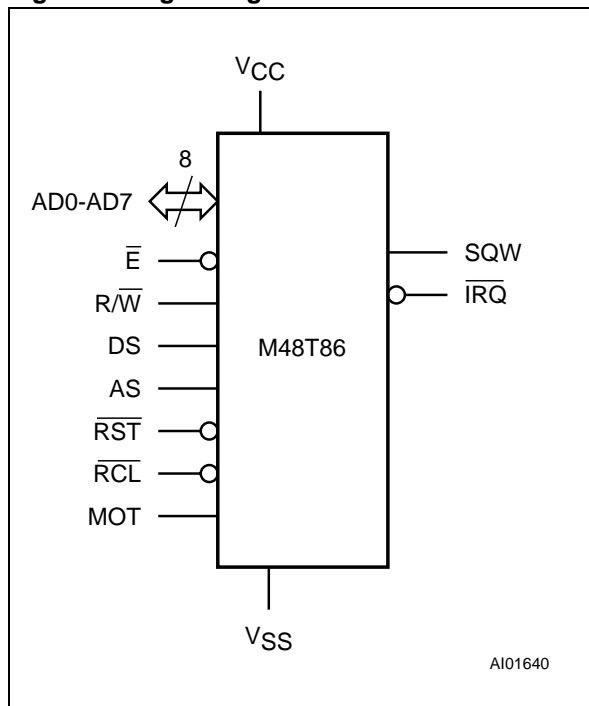


Table 1. Signal Names

| | |
|------------------|---------------------------------------|
| AD0-AD7 | Multiplexed Address/Data Bus |
| \bar{E} | Chip Enable Input |
| $\overline{R/W}$ | WRITE Enable Input |
| DS | Data Strobe Input |
| AS | Address Strobe Input |
| \overline{RST} | Reset Input |
| \overline{RCL} | RAM Clear Input |
| MOT | Bus Type Select Input |
| SQW | Square Wave Output |
| \overline{IRQ} | Interrupt Request Output (Open Drain) |
| VCC | Supply Voltage |
| VSS | Ground |
| NC | Not Connected Internally |

Figure 4. 24-pin DIP Connections

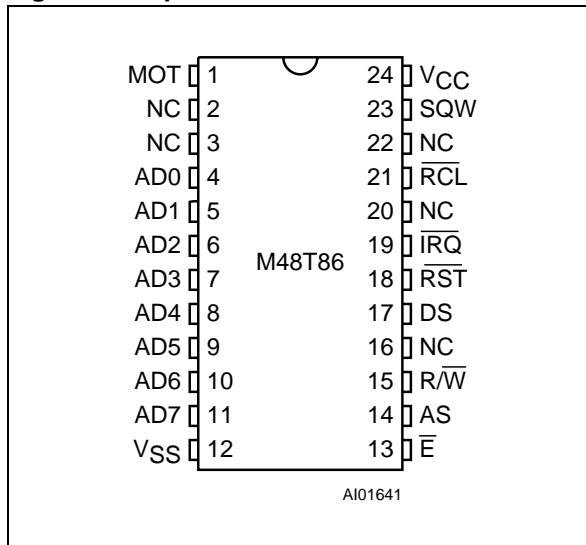


Figure 5. 28-pin SOIC Connections

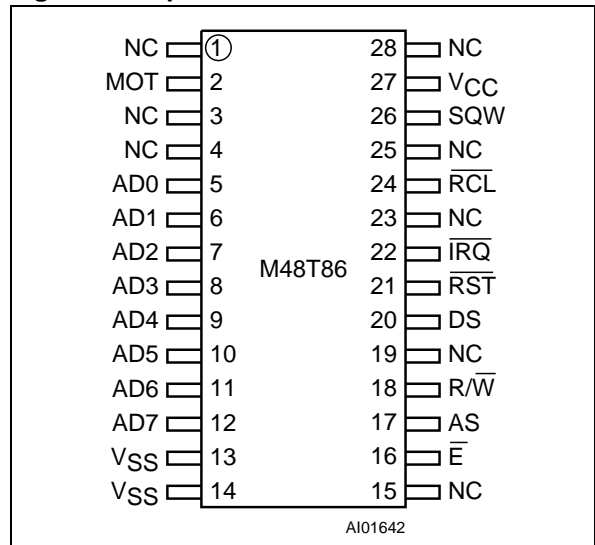
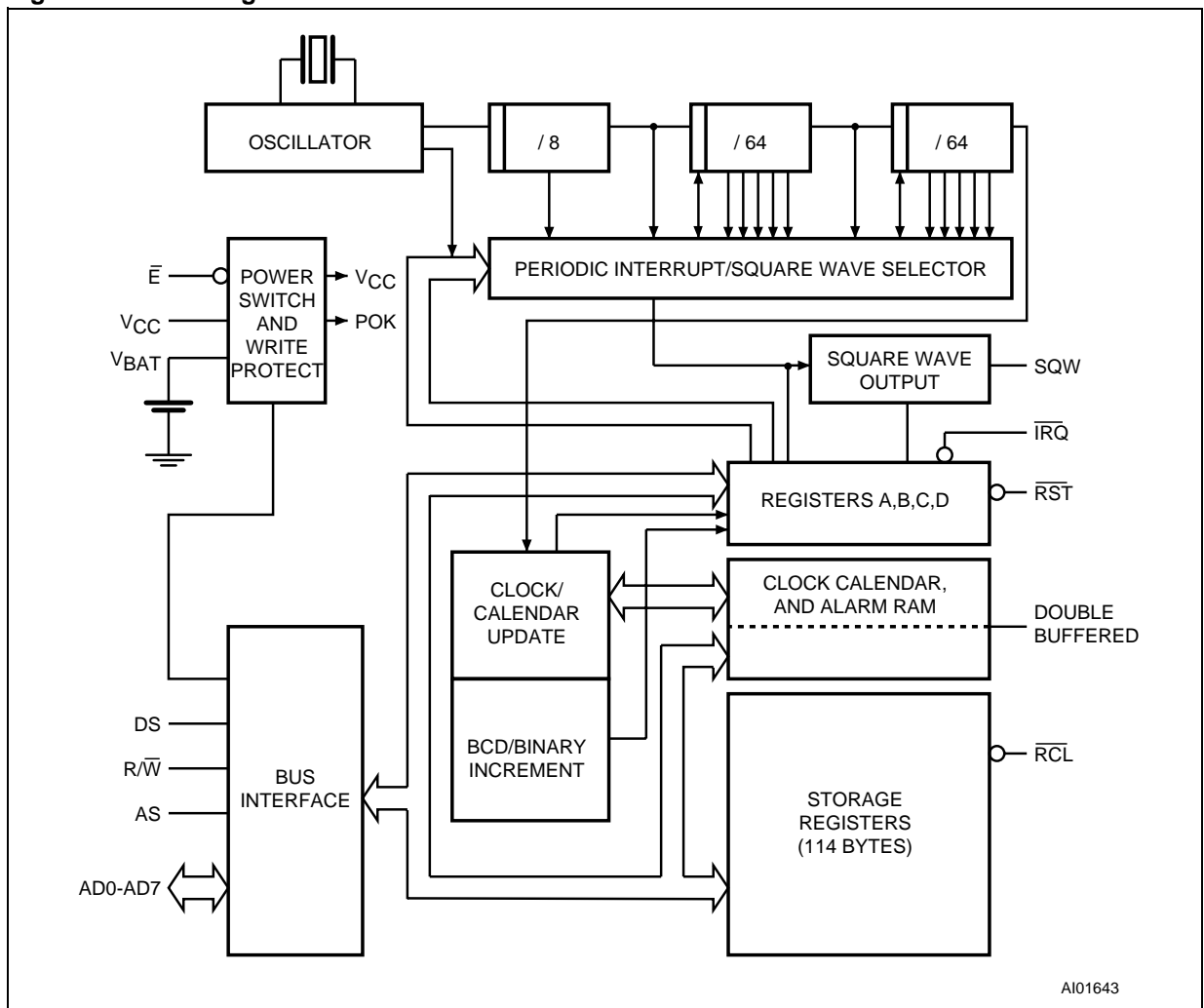


Figure 6. Block Diagram



MAXIMUM RATING

Stressing the device above the rating listed in the “Absolute Maximum Ratings” table may cause permanent damage to the device. These are stress ratings only and operation of the device at these or any other conditions above those indicated in the Operating sections of this specification is

not implied. Exposure to Absolute Maximum Rating conditions for extended periods may affect device reliability. Refer also to the STMicroelectronics SURE Program and other relevant quality documents.

Table 2. Absolute Maximum Ratings

| Symbol | Parameter | Value | Unit |
|-----------------------------------|---|-------------|------|
| T _A | Ambient Operating Temperature | 0 to 70 | °C |
| T _{STG} | Storage Temperature (V _{CC} Off, Oscillator Off) | -40 to 85 | °C |
| T _{SLD} ^(1,2) | Lead Solder Temperature for 10 seconds | 260 | °C |
| V _{IO} | Input or Output Voltages | -0.3 to 7.0 | V |
| V _{CC} | Supply Voltage | -0.3 to 7.0 | V |
| P _D | Power Dissipation | 1 | W |

Note: 1. For DIP package: Soldering temperature not to exceed 260°C for 10 seconds (total thermal budget not to exceed 150°C for longer than 30 seconds).
2. For SO package: Reflow at peak temperature of 215°C to 225°C for < 60 seconds (total thermal budget not to exceed 180°C for between 90 to 120 seconds).

CAUTION: Negative undershoots below -0.3V are not allowed on any pin while in the Battery Back-up mode.

CAUTION: Do NOT wave solder SOIC to avoid damaging SNAPHAT sockets.

DC AND AC PARAMETERS

This section summarizes the operating and measurement conditions, as well as the DC and AC characteristics of the device. The parameters in the following DC and AC Characteristic tables are derived from tests performed under the Measure-

ment Conditions listed in the relevant tables. Designers should check that the operating conditions in their projects match the measurement conditions when using the quoted parameters.

Table 3. Operating and AC Measurement Conditions

| Parameter | M48T86 | Unit |
|---|------------|------|
| Supply Voltage (V_{CC}) | 4.5 to 5.5 | V |
| Ambient Operating Temperature (T_A) | 0 to 70 | °C |
| Load Capacitance (C_L) | 100 | pF |
| Input Rise and Fall Times | ≤ 5 | ns |
| Input Pulse Voltages | 0 to 3 | V |
| Input and Output Timing Ref. Voltages | 1.5 | V |

Note: Output Hi-Z is defined as the point where data is no longer driven.

Figure 7. AC Testing Load Circuit (No \overline{IRQ})

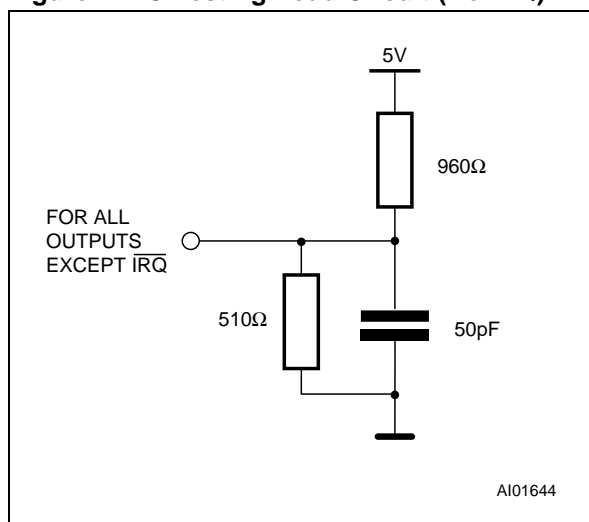


Figure 8. AC Testing Load Circuit (with \overline{IRQ})

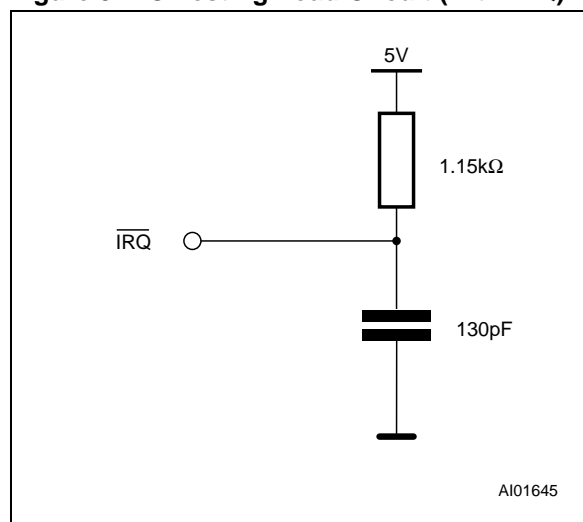


Table 4. Capacitance

| Symbol | Parameter ^(1,2) | Min | Max | Unit |
|----------------|----------------------------|-----|-----|------|
| C_{IN} | Input Capacitance | | 7 | pF |
| $C_{IO}^{(3)}$ | Input / Output Capacitance | | 5 | pF |

Note: 1. Effective capacitance measured with power supply at 5V; sampled only, not 100% tested.
 2. At 25°C, $f = 1\text{MHz}$.
 3. Outputs deselected.

Table 5. DC Characteristics

| Symbol | Parameter | Test Condition ⁽¹⁾ | Min | Max | Unit |
|----------------|---|-------------------------------|------|----------------|---------|
| I_{LI} | Input Leakage Current | $0V \leq V_{IN} \leq V_{CC}$ | | ± 1 | μA |
| $I_{LO}^{(2)}$ | Output Leakage Current | $0V \leq V_{OUT} \leq V_{CC}$ | | ± 1 | μA |
| I_{CC} | Supply Current | Outputs open | | 15 | mA |
| V_{IL} | Input Low Voltage | | -0.3 | 0.8 | V |
| V_{IH} | Input High Voltage | | 2.2 | $V_{CC} + 0.3$ | V |
| V_{OL} | Output Low Voltage | $I_{OL} = 4mA$ | | 0.4 | V |
| | Output Low Voltage (\overline{IRQ}) | $I_{OL} = 0.5mA$ | | 0.4 | V |
| V_{OH} | Output High Voltage | $I_{OH} = -1mA$ | 2.4 | | V |

Note: 1. Valid for Ambient Operating Temperature: $T_A = 0$ to $70^\circ C$; $V_{CC} = 4.5$ to $5.5V$ (except where noted).
 2. Outputs deselected.

OPERATION

Automatic deselection of the device ensures the data integrity is not compromised should V_{CC} fall below specified Power-fail Deselect Voltage (V_{PFD}) levels (see Figure 13, page 15). The automatic deselection of the device remains in effect upon power up for a period of 200ms (max) after V_{CC} rises above V_{PFD} , provided that the Real Time Clock is running and the count-down chain is not reset. This allows sufficient time for V_{CC} to stabilize and gives the system clock a wake-up period so that a valid system reset can be established.

The block diagram in Figure 6, page 5 shows the pin connections and the major internal functions of the M48T86.

Signal Description

V_{CC} , V_{SS} . DC power is provided to the device on these pins. The M48T86 uses a $5V V_{CC}$.

SQW (Square Wave Output). During normal operation (e.g., valid V_{CC}), the SQW pin can output a signal from one of 13 taps. The frequency of the SQW pin can be changed by programming Register A as shown in Table 10, page 16. The SQW signal can be turned on and off using the SQWE Bit (Register B; Bit 3). The SQW signal is not available when V_{CC} is less than V_{PFD} .

AD0-AD7 (Multiplexed Bi-Directional Address/Data Bus). The M48T86 provides a multiplexed bus in which address and data information share the same signal path. The bus cycle consists of two stages; first the address is latched, followed by the data. Address/Data multiplexing does not slow

the access time of the M48T86, because the bus change from address to data occurs during the internal RAM access time. Addresses must be valid prior to the falling edge of AS (see Figure 9, page 9), at which time the M48T86 latches the address present on AD0-AD7. Valid WRITE data must be present and held stable during the latter portion of the R/W pulse (see Figure 10, page 10). In a READ cycle, the M48T86 outputs 8 bits of data during the latter portion of the DS pulse. The READ cycle is terminated and the bus returns to a high impedance state upon a high transition on R/W.

AS (Address Strobe Input). A positive going pulse on the Address Strobe (AS) input serves to demultiplex the bus. The falling edge of AS causes the address present on AD0-AD7 to be latched within the M48T86.

MOT (Mode Select). The MOT pin offers the flexibility to choose between two bus types (see Figure 11, page 10). When connected to V_{CC} , Motorola bus timing is selected. When connected to V_{SS} or left disconnected, Intel bus timing is selected. The pin has an internal pull-down resistance of approximately $20K\Omega$.

DS (Data Strobe Input). The DS pin is also referred to as READ (RD). A falling edge transition on the Data Strobe (DS) input enables the output during a a READ cycle. This is very similar to an Output Enable (G) signal on other memory devices.

\overline{E} (Chip Enable Input). The Chip Enable pin must be asserted low for a bus cycle in the M48T86 to be accessed. Bus cycles which take place without asserting \overline{E} will latch the addresses present, but no data access will occur.

\overline{IRQ} (Interrupt Request Output). The \overline{IRQ} pin is an open drain output that can be used as an interrupt input to a processor. The \overline{IRQ} output remains low as long as the status bit causing the interrupt is present and the corresponding interrupt-enable bit is set. \overline{IRQ} returns to a high impedance state whenever Register C is read. The \overline{RST} pin can also be used to clear pending interrupts. The \overline{IRQ} bus is an open drain output so it requires an external pull-up resistor to V_{CC} .

\overline{RST} (Reset Input). The M48T86 is reset when the \overline{RST} input is pulled low. With a valid V_{CC} applied and a low on \overline{RST} , the following events occur:

1. Periodic Interrupt Enable (PIE) Bit is cleared to a zero (Register B; Bit 6);
2. Alarm Interrupt Enable (AIE) Bit is cleared to a zero (Register B; Bit 5);
3. Update Ended Interrupt Request (UF) Bit is cleared to a zero (Register C; Bit 4);
4. Interrupt Request (IRQF) Bit is cleared to a zero (Register C Bit 7);

5. Periodic Interrupt Flag (PF) Bit is cleared to a zero (Register C; Bit 6);
6. The device is not accessible until \overline{RST} is returned high;
7. Alarm Interrupt Flag (AF) Bit is cleared to a zero (Register C; Bit 5);
8. The \overline{IRQ} pin is in the high impedance state
9. Square Wave Output Enable (SQWE) Bit is cleared to zero (Register B; Bit 3); and
10. Update Ended Interrupt Enable (UIE) is cleared to a zero (Register B; Bit 4).

\overline{RCL} (RAM Clear). The \overline{RCL} pin is used to clear all 114 storage bytes, excluding clock and control registers, of the array to FF(hex) value. The array will be cleared when the \overline{RCL} pin is held low for at least 100ms with the oscillator running. Usage of this pin does not affect battery load. This function is applicable only when V_{CC} is applied.

$\overline{R/W}$ (READ/WRITE Input). The $\overline{R/W}$ pin is used to latch data into the M48T86 and provides functionality similar to \overline{W} in other memory systems.

Non-Volatile RAM

The 114 general-purpose non-volatile RAM bytes are not dedicated to any special function within the M48T86. They can be used by the processor program as non-volatile memory and are fully accessible during the update cycle.

Figure 9. Intel Bus READ AC Waveform

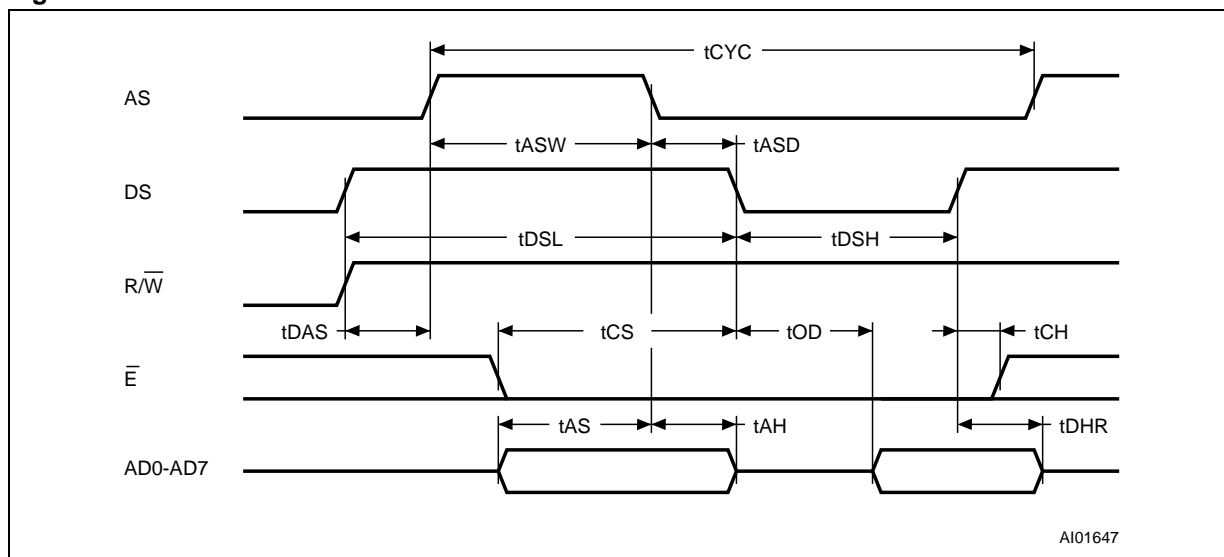


Figure 10. Intel Bus WRITE Mode AC Waveform

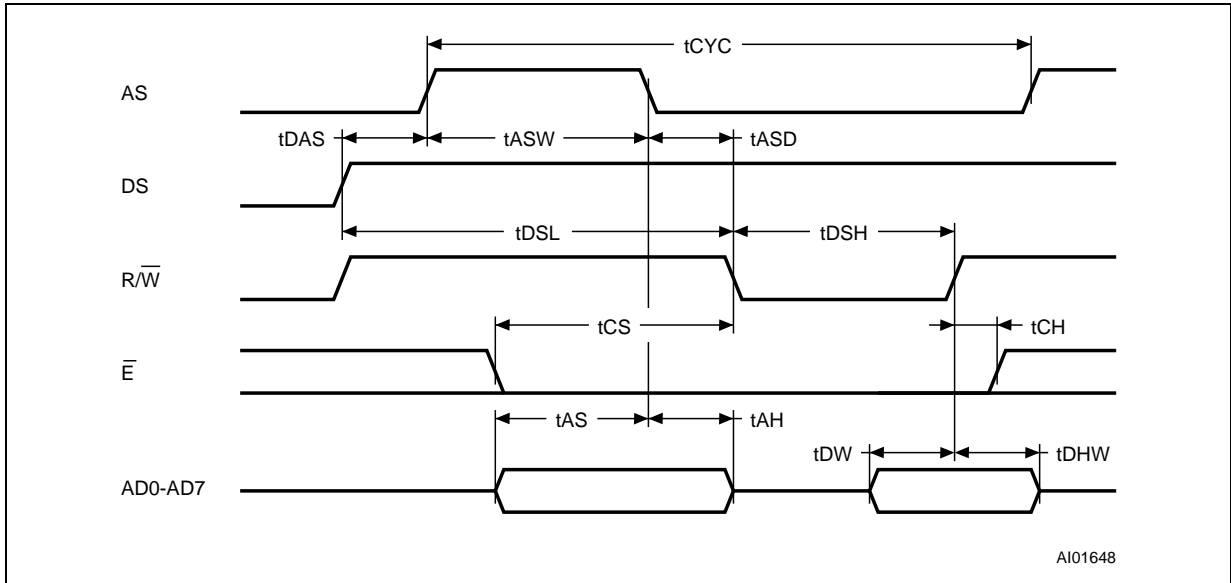


Figure 11. Motorola Bus READ/WRITE Mode AC Waveforms

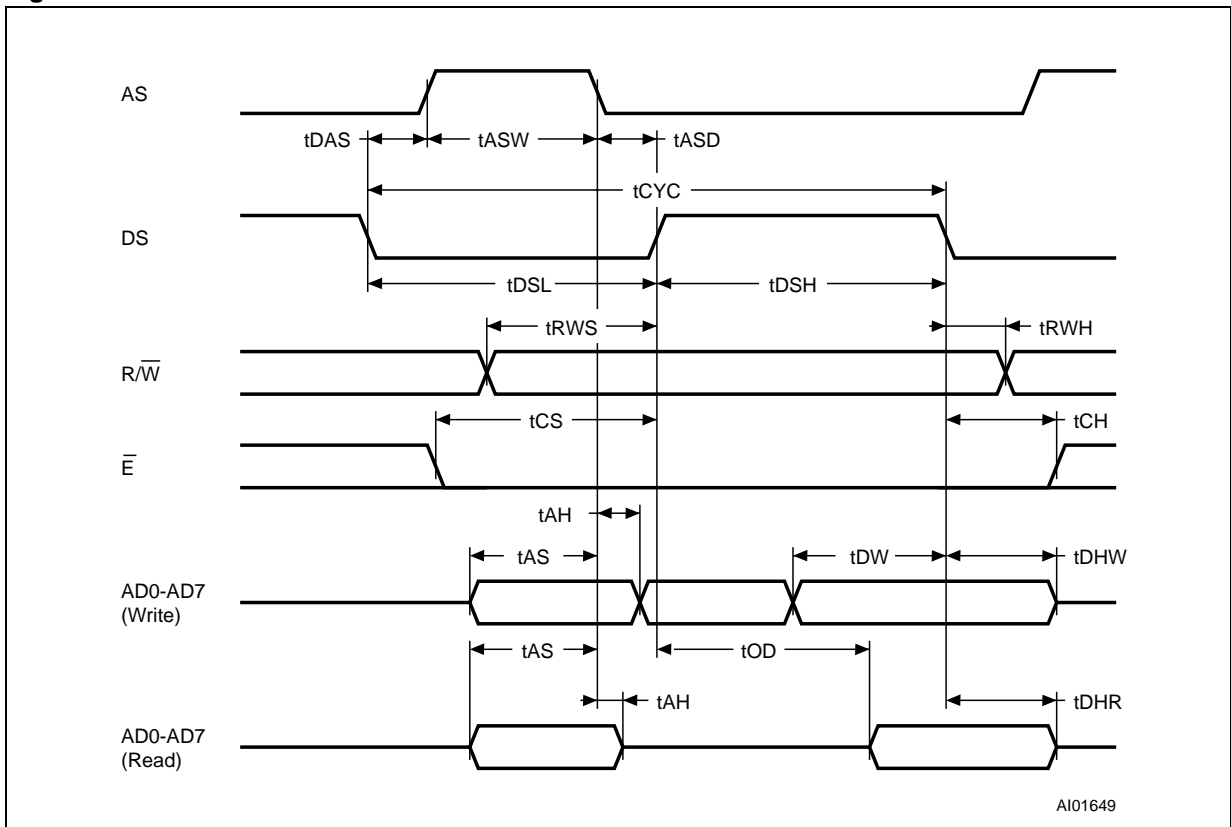


Table 6. AC Characteristics

| Symbol | Parameter ⁽¹⁾ | M48T86 | | | Unit |
|--------------------------------|--|--------|-----|-----|------|
| | | Min | Typ | Max | |
| t _{CYC} | Cycle Time | 160 | | | ns |
| t _{DSL} | Pulse Width, Data Strobe Low or R/W High | 80 | | | ns |
| t _{DSH} | Pulse Width, Data Strobe High or R/W Low | 55 | | | ns |
| t _{RWH} | R/W Hold Time | 0 | | | ns |
| t _{RWS} | R/W Setup Time | 10 | | | ns |
| t _{CS} | Chip Select Setup Time | 5 | | | ns |
| t _{CH} | Chip Select Hold Time | 0 | | | ns |
| t _{DHR} | READ Data Hold Time | 0 | | 25 | ns |
| t _{DHW} | WRITE Data Hold Time | 0 | | | ns |
| t _{AS} | Address Setup Time | 20 | | | ns |
| t _{AH} | Address Hold Time | 5 | | | ns |
| t _{DAS} | Delay Time, Data Strobe to Address Strobe Rise | 10 | | | ns |
| t _{ASW} | Pulse Width Address Strobe High | 30 | | | ns |
| t _{ASD} | Delay Time, Address Strobe to Data Strobe Rise | 35 | | | ns |
| t _{OD} | Output Data Delay Time from Data Strobe Rise | | | 50 | ns |
| t _{DW} | WRITE Setup Time | 30 | | | ns |
| t _{BUC} | Delay Time before Update Cycle | | 244 | | μs |
| t _{PI} ⁽²⁾ | Periodic Interrupt Time interval | – | – | – | |
| t _{UC} | Time of Update Cycle | | 1 | | μs |

Note: 1. Valid for Ambient Operating Temperature: T_A = 0 to 70°C; V_{CC} = 4.5 to 5.5V (except where noted).
2. See Table 10, page 16.

CLOCK OPERATIONS

Address Map

The address map of the M48T86 is shown in Figure 12. It consists of 114 bytes of user RAM, 10 bytes of RAM that contain the RTC time, calendar and alarm data, and 4 bytes which are used for control and status. All bytes can be read or written to except for the following:

1. Registers C & D are "Read only."
2. Bit 7 of Register A is "Read only."

The contents of the four Registers A, B, C, and D are described in the "Registers" section.

Time, Calendar, and Alarm Locations

The time and calendar information is obtained by reading the appropriate memory bytes. The time, calendar, and alarm registers are set or initialized by writing the appropriate RAM bytes. The contents of the time, calendar, and alarm bytes can be either Binary or Binary-Coded Decimal (BCD) format. Before writing the internal time, calendar, and alarm register, the SET Bit (Register B; Bit 7) should be written to a logic '1.' This will prevent updates from occurring while access is being attempted. In addition to writing the time, calendar, and alarm registers in a selected format (binary or BCD), the Data Mode (DM) Bit (Register B; Bit 2), must be set to the appropriate logic level ('1' signi-

fies binary data; '0' signifies Binary Coded Decimal (BCD data). All time, calendar, and alarm bytes must use the same data mode. The SET Bit should be cleared after the Data Mode Bit has been written to allow the Real Time Clock to update the time and calendar bytes. Once initialized, the Real Time Clock makes all updates in the selected mode. The data mode cannot be changed without reinitializing the ten data bytes. Table 7, page 13 shows the binary and BCD formats of the time, calendar, and alarm locations. The 24/12 Bit (Register B; Bit 1) cannot be changed without reinitializing the hour locations. When the 12-hour format is selected, a logic '1' in the high order bit of the hours byte represents PM. The time, calendar, and alarm bytes are always accessible because they are double-buffered. Once per second the ten bytes are advanced by one second and checked for an alarm condition. If a READ of the time and calendar data occurs during an update, a problem exists where data such as seconds, minutes, or hours may not correlate. However, the probability of reading incorrect time and calendar data is low. Methods of avoiding possible incorrect time and calendar READs are reviewed later in this text.

Figure 12. Address Map

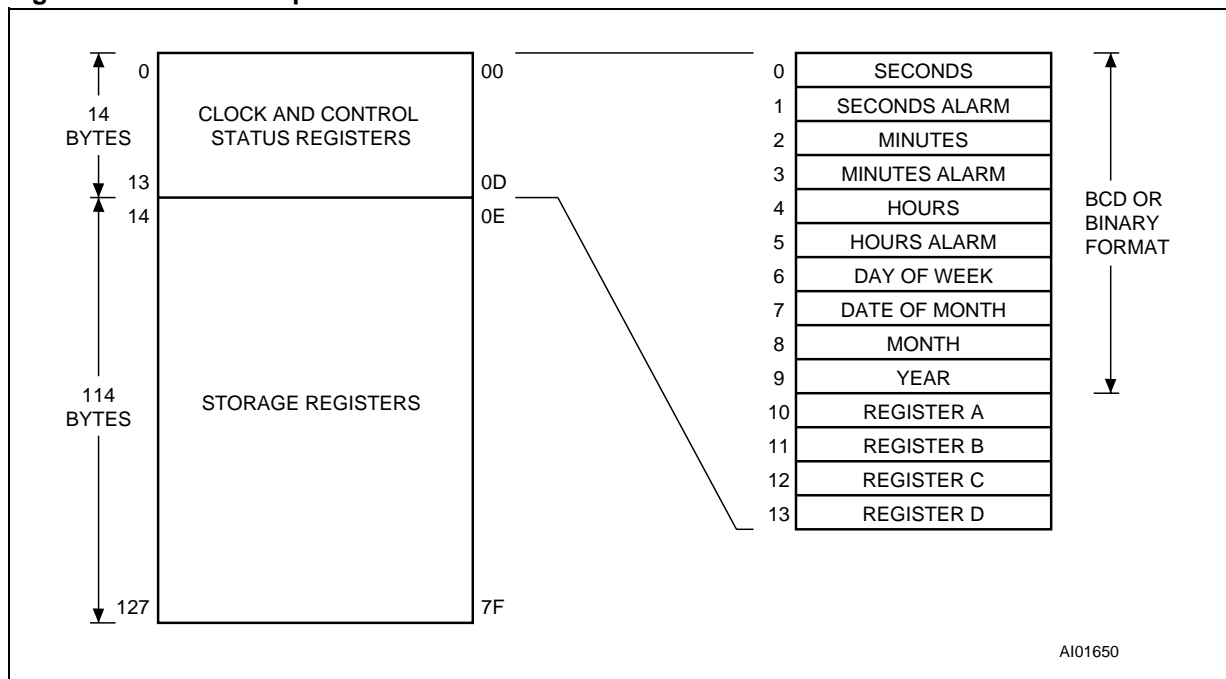


Table 7. Time, Calendar, and Alarm Formats

| Address | RTC Bytes | Range | | |
|---------|-----------------------|---------|----------------------|----------------------|
| | | Decimal | Binary | BCD |
| 0 | Seconds | 0-59 | 00-3B | 00-59 |
| 1 | Seconds Alarm | 0-59 | 00-3B | 00-59 |
| 2 | Minutes | 0-59 | 00-3B | 00-59 |
| 3 | Minutes Alarm | 0-59 | 00-3B | 00-59 |
| 4 | Hours, 12-hrs | 1-12 | 01-0C AM 81-8C PM | 01-12 AM 81-92 PM |
| | Hours, 24-hrs | 0-23 | 00-17 | 00-23 |
| 5 | Hours Alarm, 12-hrs | 1-12 | 01-0C AM 81-8C PM | 01-12 AM 81-92 PM |
| | Hours Alarm, 24-hrs | 0-23 | 00-17 | 00-23 |
| 6 | Day of Week (1 = Sun) | 1-7 | 01-07 | 01-07 |
| 7 | Day of Month | 1-31 | 01-1F | 01-31 |
| 8 | Month | 1-12 | 01-0C | 01-12 |
| 9 | Year | 0-99 | 00-63 | 00-99 |

Interrupts

The RTC plus RAM includes three separate, fully automatic sources of interrupt (alarm, periodic, update-in-progress) available to a processor. The alarm interrupt can be programmed to occur at rates from once per second to once per day. The periodic interrupt can be selected from rates of 500ms to 122 μ s. The update-ended interrupt can be used to indicate that an update cycle has completed.

The processor program can select which interrupts, if any, are going to be used. Three bits in Register B enable the interrupts. Writing a logic '1' to an interrupt-enable bit (Register B; Bit 6 = PIE; Bit 5 = AIE; Bit 4 = UIE) permits an interrupt to be initialized when the event occurs. A '0' in an interrupt-enable bit prohibits the $\overline{\text{IRQ}}$ pin from being asserted from that interrupt condition. If an interrupt flag is already set when an interrupt is enabled, $\overline{\text{IRQ}}$ is immediately set at an active level, although the interrupt initiating the event may have occurred much earlier. As a result, there are cases where the program should clear such earlier initiated interrupts before first enabling new interrupts.

When an interrupt event occurs, the related flag bit (Register C; Bit 6 = PF; Bit 5 = AF; Bit 4 = UF) is set to a logic '1.' These flag bits are set independent of the state of the corresponding enable bit in Register B and can be used in a polling mode without enabling the corresponding enable bits. The

interrupt flag bits are status bits which software can interrogate as necessary.

When a flag is set, an indication is given to software that an interrupt event has occurred since the flag bit was last read; however, care should be taken when using the flag bits as all are cleared each time Register C is read. Double latching is included with Register C so that bits which are set remain stable throughout the READ cycle. All bits which are set high are cleared when read. Any new interrupts which are pending during the READ cycle are held until after the cycle is completed. One, two, or three bits can be set when reading Register C. Each utilized flag bit should be examined when read to ensure that no interrupts are lost.

The second flag bit usage method is with fully enabled interrupts. When an interrupt flag bit is set and the corresponding enable bit is also set, the $\overline{\text{IRQ}}$ pin is asserted low. $\overline{\text{IRQ}}$ is asserted as long as at least one of the three interrupt sources has its flag and enable bits both set. The $\overline{\text{IRQF}}$ Bit (Register C; Bit 7) is a '1' whenever the $\overline{\text{IRQ}}$ pin is being driven low. Determination that the RTC initiated an interrupt is accomplished by reading Register C. A logic '1' in the $\overline{\text{IRQF}}$ Bit indicates that one or more interrupts have been initiated by the M48T86. The act of reading Register C clears all active flag bits and the $\overline{\text{IRQF}}$ Bit.

Periodic Interrupt

The periodic interrupt will cause the $\overline{\text{IRQ}}$ pin to go to an active state from once every 500ms to once every 122 μ s. This function is separate from the alarm interrupt which can be output from once per second to once per day. The periodic interrupt rate is selected using the same Register A bits which select the square wave frequency (see Table 10, page 16). Changing the Register A bits affects both the square wave frequency and the periodic interrupt output. However, each function has a separate enable bit in Register B. The periodic interrupt is enabled by the PIE Bit (Register B; Bit 6). The periodic interrupt can be used with software counters to measure inputs, create output intervals, or await the next needed software function.

Alarm Interrupt

The alarm interrupt provides the system processor with an interrupt when a match is made between the RTC's hours, minutes, and seconds bytes and the corresponding alarm bytes.

The three alarm bytes can be used in two ways. First, when the alarm time is written in the appropriate hours, minutes, and seconds alarm locations, the alarm interrupt is initiated at the specified time each day if the Alarm Interrupt Enable Bit (Register B; Bit 5) is high. The second use is to insert a "Don't care" state in one or more of the three alarm bytes. The "Don't care" code is any hexadecimal value from C0 to FF. The two most significant bits of each byte set the "Don't care" condition when at logic '1.' An alarm will be generated each hour when the "Don't care" is set in the hours byte. Similarly, an alarm is generated every minute with "Don't care" codes in the hour and minute alarm bytes. The "Don't care" codes in all three alarm bytes create an interrupt every second.

Update Cycle Interrupt

After each update cycle, the Update Cycle Ended Flag Bit (UF) (Register C; Bit 4) is set to a '1.' If the Update Interrupt Enable Bit (UIE) (Register B; Bit 4) is set to a '1,' and the SET Bit (Register B; Bit 7) is a '0,' then an interrupt request is generated at the end of each update cycle.

Oscillator Control Bits

When the M48T86 is shipped from the factory the internal oscillator is turned off. This feature prevents the lithium energy cell from being discharged until it is installed in a system. A pattern of

"010" in Bits 4-6 of Register A will turn the oscillator on and enable the countdown chain. A pattern of "11X" will turn the oscillator on, but holds the countdown chain of the oscillator in reset. All other combinations of Bits 4-6 keep the oscillator off.

Update Cycle

The M48T86 executes an update cycle once per second regardless of the SET Bit (Register B; Bit 7). When the SET Bit is asserted, the user copy of the double buffered time, calendar, and alarm bytes is frozen and will not update as the time increments. However, the time countdown chain continues to update the internal copy of the buffer. This feature allows accurate time to be maintained, independent of reading and writing the time, calendar, and alarm buffers. This also guarantees that the time and calendar information will be consistent. The update cycle also compares each alarm byte with the corresponding time byte and issues an alarm if a match or if a "Don't care" code is present in all three positions.

There are three methods of accessing the real time clock that will avoid any possibility of obtaining inconsistent time and calendar data. The first method uses the update-ended interrupt. If enabled, an interrupt occurs after every update cycle which indicates that over 999ms are available to read valid time and date information. If this interrupt is used, the IRQF Bit (Register C; Bit 7) should be cleared before leaving the interrupt routine.

A second method uses the Update-In-Progress (UIP) Bit (Register A; Bit 7) to determine if the update cycle is in progress. The UIP Bit will pulse once per second. After the UIP Bit goes high, the update transfer occurs 244 μ s later. If a low is read on the UIP Bit, the user has at least 244 μ s before the time/calendar data will be changed. Therefore, the user should avoid interrupt service routines that would cause the time needed to read valid time/calendar data to exceed 244 μ s.

The third method uses a periodic interrupt to determine if an update cycle is in progress. The UIP Bit is set high between the setting of the PF Bit (Register C; Bit 6). Periodic interrupts that occur at a rate greater than t_{BUC} allow valid time and date information to be reached at each occurrence of the periodic interrupt. The READs should be completed within $1/(t_{\text{PL}/2} + t_{\text{BUC}})$ to ensure that data is not read during the update cycle.

Figure 13. Power Down/Up Mode AC Waveforms

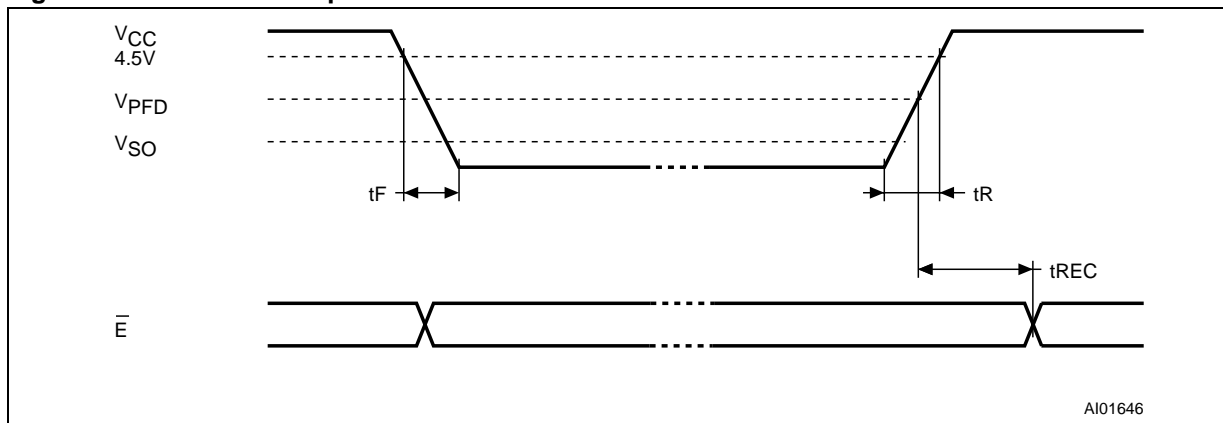


Table 8. Power Down/Up Mode AC Characteristics

| Symbol | Parameter ⁽¹⁾ | Min | Max | Unit |
|-------------|-----------------------------|-----|-----|---------------|
| $t_F^{(2)}$ | V_{CC} Fall Time | 300 | | μs |
| t_R | V_{CC} Rise Time | 100 | | μs |
| t_{REC} | V_{PFD} to \bar{E} High | 20 | 200 | ms |

Note: 1. Valid for Ambient Operating Temperature: $T_A = 0$ to 70°C ; $V_{CC} = 4.5$ to 5.5V (except where noted).

2. V_{CC} fall time of less than t_F may result in deselection/write protection not occurring until $200\mu\text{s}$ after V_{CC} passes V_{PFD} .

Table 9. Power Down/Up Trip Points DC Characteristics

| Symbol | Parameter ^(1,2) | Min | Typ | Max | Unit |
|----------------|------------------------------------|-----|-----|------|-------|
| V_{PFD} | Power-fail Deselect Voltage | 4.0 | | 4.35 | V |
| V_{SO} | Battery Back-up Switchover Voltage | | 3.0 | | V |
| $t_{DR}^{(3)}$ | Expected Data Retention Time | 10 | | | YEARS |

Note: 1. Valid for Ambient Operating Temperature: $T_A = 0$ to 70°C ; $V_{CC} = 4.5$ to 5.5V (except where noted).

2. All voltages referenced to V_{SS} .

3. At 25°C .

Square Wave Output Selection

Thirteen of the 15 divider taps are made available to a 1-of-15 selector, as shown in the block diagram of Figure 6, page 5. The purpose of selecting a divider tap is to generate a square wave output signal on the SQW pin. The RS3-RS0 bits in Register A establish the square wave output frequency. These frequencies are listed in Table 10, page

16. The SQW frequency selection shares the 1-of-15 selector with the periodic interrupt generator. Once the frequency is selected, the output of the SQW pin can be turned on and off under program control with the Square Wave Enabled (SQWE) Bit.

Table 10. Square Wave Frequency/Periodic Interrupt Rate

| Register A Bits | | | | Square Wave | | Periodic Interrupt | |
|-----------------|-----|-----|-----|-------------|-------|--------------------|-------|
| RS3 | RS2 | RS1 | RS0 | Frequency | Units | Period | Units |
| 0 | 0 | 0 | 0 | None | | None | |
| 0 | 0 | 0 | 1 | 256 | Hz | 3.90625 | ms |
| 0 | 0 | 1 | 0 | 128 | Hz | 7.8125 | ms |
| 0 | 0 | 1 | 1 | 8.192 | kHz | 122.070 | us |
| 0 | 1 | 0 | 0 | 4.096 | kHz | 244.141 | us |
| 0 | 1 | 0 | 1 | 2.048 | kHz | 488.281 | us |
| 0 | 1 | 1 | 0 | 1.024 | kHz | 976.5625 | us |
| 0 | 1 | 1 | 1 | 512 | Hz | 1.953125 | ms |
| 1 | 0 | 0 | 0 | 256 | Hz | 3.90625 | ms |
| 1 | 0 | 0 | 1 | 128 | Hz | 7.8125 | ms |
| 1 | 0 | 1 | 0 | 64 | Hz | 15.625 | ms |
| 1 | 0 | 1 | 1 | 32 | Hz | 31.25 | ms |
| 1 | 1 | 0 | 0 | 16 | Hz | 62.5 | ms |
| 1 | 1 | 0 | 1 | 8 | Hz | 125 | ms |
| 1 | 1 | 1 | 0 | 4 | Hz | 250 | ms |
| 1 | 1 | 1 | 1 | 2 | Hz | 500 | ms |

Register A

UIP. Update in Progress. The Update in Progress (UIP) Bit is a status flag that can be monitored. When the UIP Bit is '1,' the update transfer will soon occur (see Figure 14). When UIP is a '0,' the update transfer will not occur for at least 244 μ s. The time, calendar, and alarm information in RAM is fully available for access when the UIP Bit is '0.' The UIP Bit is "Read only" and is not affected by $\overline{\text{RST}}$. Writing the SET Bit in Register B to a '1' inhibits any update transfer and clears the UIP Status Bit.

OSC0, OSC1, OSC2. Oscillator Control. These three bits are used to control the oscillator and reset the countdown chain. A pattern of "010" enables operation by turning on the oscillator and enabling the divider chain. A pattern of 11X turns the oscillator on, but keeps the frequency divider disabled. When "010" is written, the first update begins after 500ms.

RS3, RS2, RS1, RS0. These four rate-selection bits select one of the 13 taps on the 15-stage divider or disable the divider output. The tap selected may be used to generate an output square wave (SQW pin) and/or a periodic interrupt. The user may do one of the following:

1. Enable the interrupt with the PIE Bit;
- or
2. Enable the SQW output with the SQWE Bit;
- or
3. Enable both at the same time and same rate;
- or
4. Enable neither.

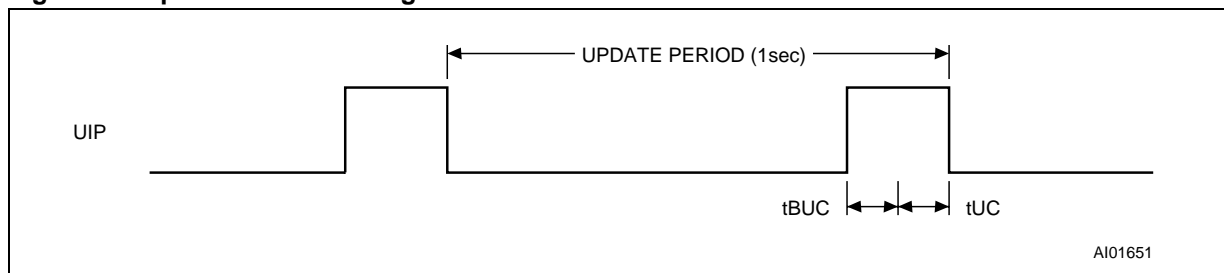
Table 10, page 16 lists the periodic interrupt rates and the square wave frequencies that may be chosen with the RS Bits. These four READ/WRITE bits are not affected by $\overline{\text{RST}}$.

Table 11. REGISTER A

MSB

| BIT7 | BIT6 | BIT5 | BIT4 | BIT3 | BIT2 | BIT1 | BIT0 |
|------|------|------|------|------|------|------|------|
| UIP | OSC2 | OSC1 | OSC0 | RS3 | RS2 | RS1 | RS0 |

Figure 14. Update Period Timing and UIP



Register B

SET. When the SET Bit is a '0,' the update transfer functions normally by advancing the counts once per second. When the SET Bit is written to a '1,' any update transfer is inhibited and the program may initialize the time and calendar bytes without an update occurring. READ cycles can be executed in a similar manner. SET is a READ/WRITE bit which is not modified by RST or internal functions of the M48T86.

PIE: Periodic Interrupt Enable. The Periodic Interrupt Enable Bit (PIE) is a READ/WRITE bit which allows the Periodic Interrupt Flag (PF) Bit in Register C to cause the IRQ pin to be driven low (see Figure 15, page 19 for the relationship between PIE and UIE). When the PIE Bit is set to '1,' periodic interrupts are generated by driving the IRQ pin low at a rate specified by the RS3-RS0 bits of Register A. A '0' in the PIE Bit blocks the IRQ output from being driven by a periodic interrupt, but the Periodic Flag (PF) Bit is still set at the periodic rate. PIE is not modified by any internal M48T86 functions, but is cleared to '0' on RST.

AIE: Alarm Interrupt Enable. The Alarm Interrupt Enable (AIE) Bit is a READ/WRITE bit which, when set to a '1,' permits the Alarm Flag (AF) Bit in Register C to assert $\overline{\text{IRQ}}$. An alarm interrupt occurs for each second that the three time bytes equal the three alarm bytes including a "Don't care" alarm code of binary 1XXXXXXX. When the AIE Bit is set to '0,' the AF Bit does not initiate the $\overline{\text{IRQ}}$ signal. The $\overline{\text{RST}}$ pin clears AIE to '0.' The internal functions of the M48T86 do not affect the AIE Bit.

UIE: Update Ended Interrupt Enable. The Update Ended Interrupt Enable (UIE) Bit is a READ/WRITE bit which enables the Update End Flag (UF) Bit in Register C to assert $\overline{\text{IRQ}}$. A transition low on the $\overline{\text{RST}}$ pin or the SET Bit going high clears the UIE Bit.

SQWE: Square Wave Enable. When the Square Wave Enable (SQWE) Bit is set to a '1,' a square wave signal is driven out on the SQW pin. The frequency is determined by the rate-selection bits RS3-RS0. When the SQWE Bit is set to '0,' the SQW pin is held low. The SQWE Bit is cleared by the $\overline{\text{RST}}$ pin. SQWE is a READ/WRITE bit.

DM: Data Mode. The Data Mode (DM) Bit indicates whether time and calendar information are in binary or BCD format. The DM Bit is set by the program to the appropriate format and can be read as required. This bit is not modified by internal function or RST. A '1' in DM signifies binary data and a '0' specifies Binary Coded Decimal (BCD) data.

24/12

The 24/12 Control Bit establishes the format of the hours byte. A '1' indicates the 24-hour mode and a '0' indicates the 12-hour mode. This bit is READ/WRITE and is not affected by internal functions or RST.

DSE. Daylight Savings Enable

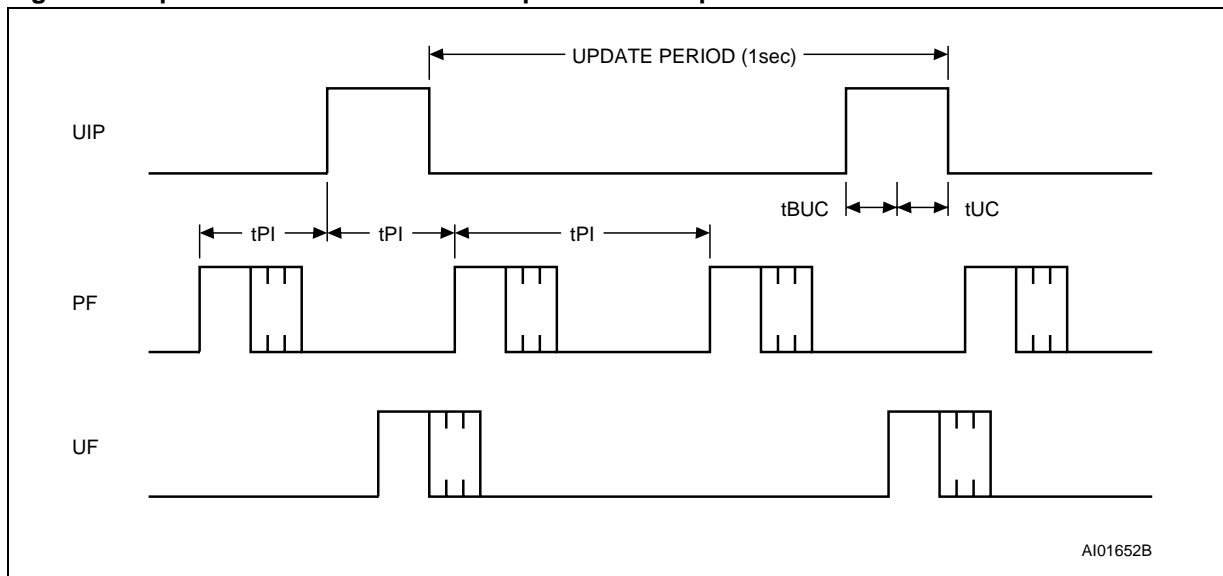
The Daylight Savings Enable (DSE) Bit is a READ/WRITE bit which enables two special updates when set to a '1.' On the first Sunday in April, the time increments from 1:59:59AM to 3:00:00 AM. On the last Sunday in October, when the time reaches 1:59:59 AM, it changes to 1:00:00 AM. These special updates do not occur when the DSE Bit is a '0.' This bit is not affected by internal functions or RST.

Table 12. REGISTER B

MSB

| BIT7 | BIT6 | BIT5 | BIT4 | BIT3 | BIT2 | BIT1 | BIT0 |
|------|------|------|------|------|------|-------|------|
| SET | PIE | AIE | UIE | SQWE | DM | 24/12 | DSE |

Figure 15. Update-ended/Periodic Interrupt Relationship



Register C

IRQF: Interrupt Request Flag. The Interrupt Request Flag (IRQF) Bit is set to a '1' when one or more of the following are true:

PF = PIE = 1

AF = AIE = 1

UF = UIE = 1

(e.g., $IRQF = PF * PIE + AF * AIE + UF * UIE$)

PF: Periodic Interrupt Flag. The Periodic Interrupt Flag (PF) is a "Read only" bit which is set to a '1' when an edge is detected on the selected tap of the divider chain. The RS3-RS0 bits establish the periodic rate. PF is set to a '1' independent of the state of the PIE Bit. The IRQ signal is active and will set the IRQF Bit. The PF Bit is cleared by a RST or a software READ of Register C.

AF: Alarm Flag. A '1' in the AF (Alarm Interrupt Flag) Bit indicates that the current time has matched the alarm time. If the AIE Bit is also a '1,' the IRQ pin will go low and a '1' will appear in the IRQF Bit. A RST or a READ of Register C will clear AF.

UF: Update Ended Interrupt Flag. The Update Ended Interrupt Flag (UF) Bit is set after each update cycle. When the UIE Bit is set to a '1,' the '1' in the UF Bit causes the IRQF Bit to be a '1.' This will assert the IRQ pin. UF is cleared by reading Register C or a RST.

BIT 0 through 3: Unused Bits. Bit 3 through Bit 0 are unused. These bits always read '0' and cannot be written.

Register D

VRT: Valid Ram And Time. The Valid RAM and Time (VRT) Bit is set to the '1' state by STMicroelectronics prior to shipment. This bit is not writable and should always be a '1' when read. If a '0' is ever present, an exhausted internal lithium cell is indicated and both the contents of the RTC data and RAM data are questionable. This bit is unaffected by RST.

BIT 0 through 6: Unused Bits. The remaining bits of Register D are not usable. They cannot be written and when read, they will always read '0.'

Table 13. REGISTER C**MSB**

| BIT7 | BIT6 | BIT5 | BIT4 | BIT3 | BIT2 | BIT1 | BIT0 |
|------|------|------|------|------|------|------|------|
| IRQF | PF | AF | UF | 0 | 0 | 0 | 0 |

Table 14. REGISTER D**MSB**

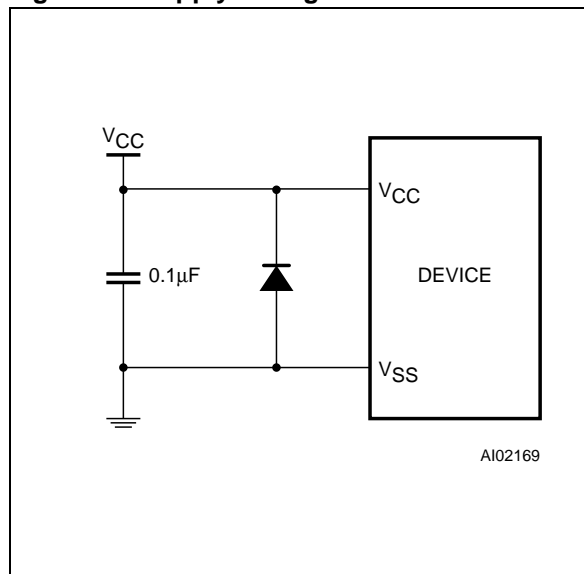
| BIT7 | BIT6 | BIT5 | BIT4 | BIT3 | BIT2 | BIT1 | BIT0 |
|------|------|------|------|------|------|------|------|
| VRT | 0 | 0 | 0 | 0 | 0 | 0 | 0 |

V_{CC} Noise And Negative Going Transients

I_{CC} transients, including those produced by output switching, can produce voltage fluctuations, resulting in spikes on the V_{CC} bus. These transients can be reduced if capacitors are used to store energy which stabilizes the V_{CC} bus. The energy stored in the bypass capacitors will be released as low going spikes are generated or energy will be absorbed when overshoots occur. A ceramic bypass capacitor value of 0.1 μ F (as shown in Figure 16) is recommended in order to provide the needed filtering.

In addition to transients that are caused by normal SRAM operation, power cycling can generate negative voltage spikes on V_{CC} that drive it to values below V_{SS} by as much as one volt. These negative spikes can cause data corruption in the SRAM while in battery backup mode. To protect from these voltage spikes, it is recommended to connect a schottky diode from V_{CC} to V_{SS} (cathode connected to V_{CC}, anode to V_{SS}). Schottky diode 1N5817 is recommended for through hole and MBRS120T3 is recommended for surface mount.

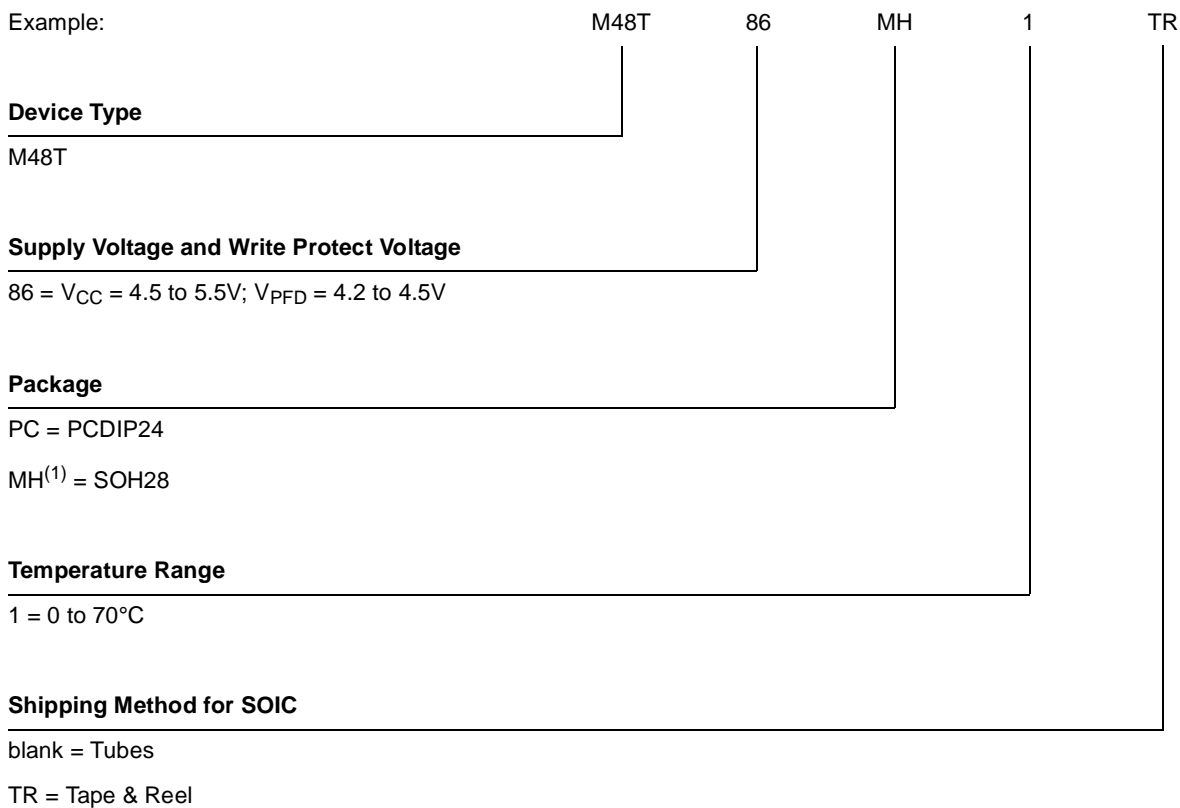
Figure 16. Supply Voltage Protection



M48T86

PART NUMBERING

Table 15. Ordering Information Scheme



Note: 1. The SOIC package (SOH28) requires the battery/crystal package (SNAPHAT[®]) which is ordered separately under the part number "M4T28-BR12SH" in plastic tube or "M4T28-BR12SHTR" in Tape & Reel form.

Caution: Do not place the SNAPHAT battery package "M4TXX-BR12SH" in conductive foam as it will drain the lithium button-cell battery.

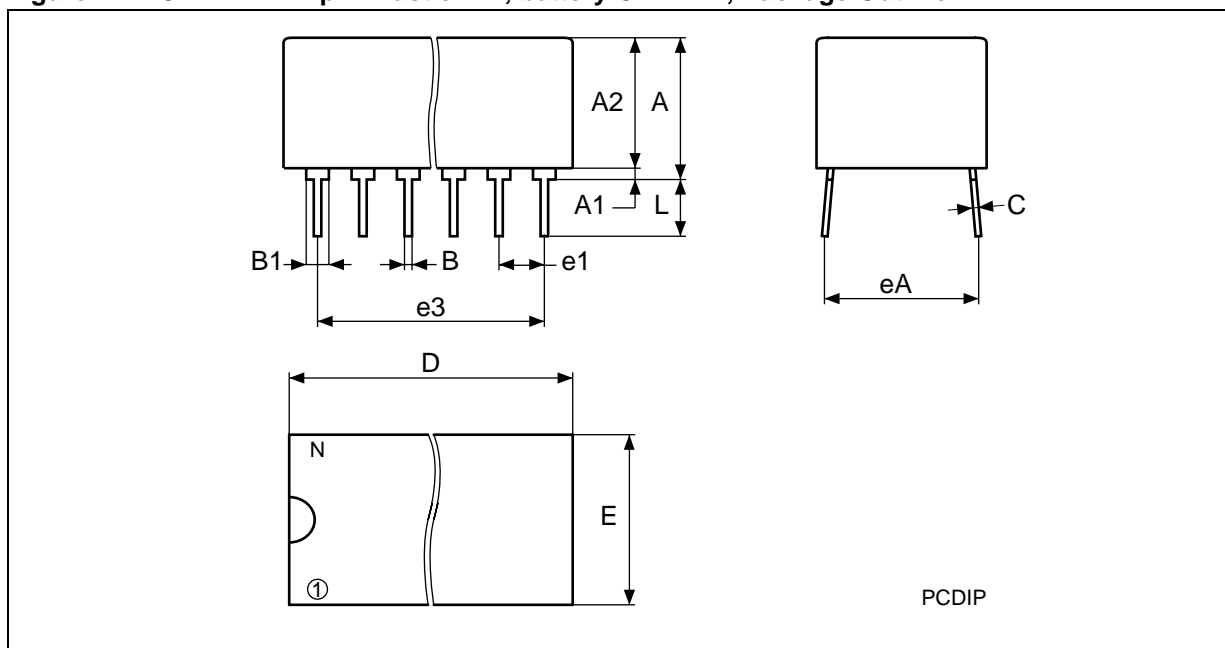
For a list of available options (e.g., Speed, Package) or for further information on any aspect of this device, please contact the ST Sales Office nearest you.

Table 16. SNAPHAT Battery Table

| Part Number | Description | Package |
|--------------|----------------------------------|---------|
| M4T28-BR12SH | Lithium Battery (48mAh) SNAPHAT | SH |
| M4T32-BR12SH | Lithium Battery (120mAh) SNAPHAT | SH |

PACKAGE MECHANICAL INFORMATION

Figure 17. PCDIP24 – 24-pin Plastic DIP, battery CAPHAT, Package Outline

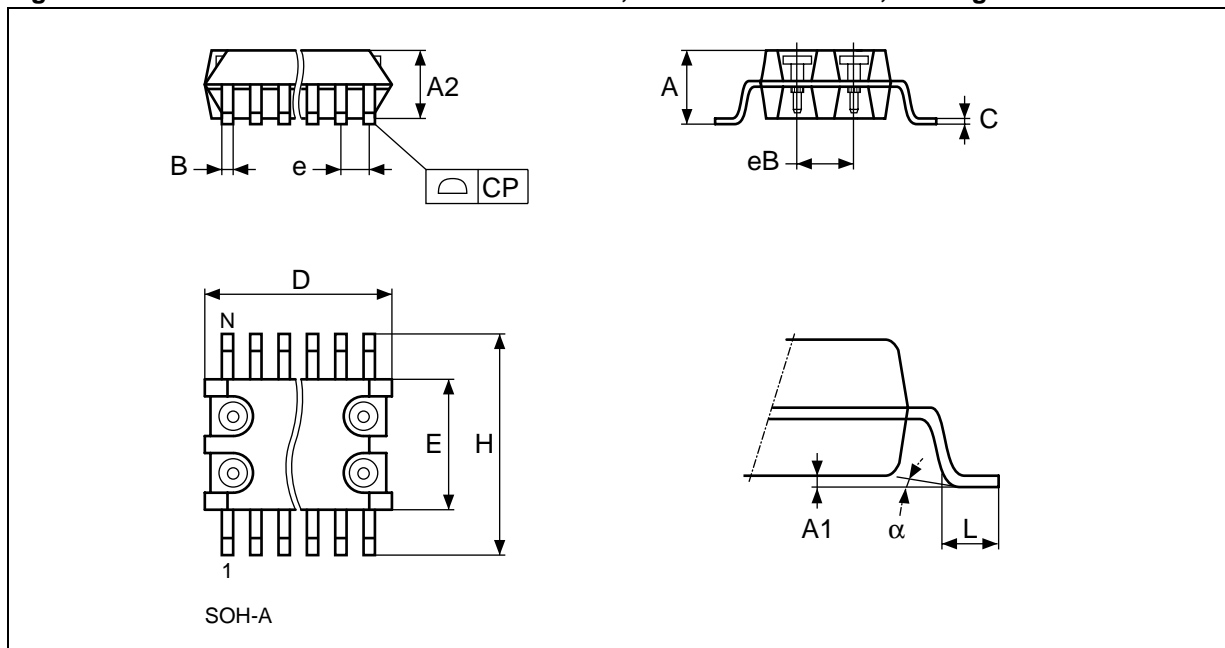


Note: Drawing is not to scale.

Table 17. PCDIP24 – 24-pin Plastic DIP, battery CAPHAT, Package Mechanical Data

| Symb | mm | | | inches | | |
|------|-----|-------|-------|--------|--------|--------|
| | Typ | Min | Max | Typ | Min | Max |
| A | | 8.89 | 9.65 | | 0.3500 | 0.3799 |
| A1 | | 0.38 | 0.76 | | 0.0150 | 0.0299 |
| A2 | | 8.36 | 8.89 | | 0.3291 | 0.3500 |
| B | | 0.38 | 0.53 | | 0.0150 | 0.0209 |
| B1 | | 1.14 | 1.78 | | 0.0449 | 0.0701 |
| C | | 0.20 | 0.31 | | 0.0079 | 0.0122 |
| D | | 34.29 | 34.80 | | 1.3500 | 1.3701 |
| E | | 17.83 | 18.34 | | 0.7020 | 0.7220 |
| e1 | | 2.29 | 2.79 | | 0.0902 | 0.1098 |
| e3 | | 25.15 | 30.73 | | 0.9902 | 1.2098 |
| eA | | 15.24 | 16.00 | | 0.6000 | 0.6299 |
| L | | 3.05 | 3.81 | | 0.1201 | 0.1500 |
| N | | 24 | | | 24 | |

Figure 18. SOH28 – 28-lead Plastic Small Outline, 4-socket SNAPHAT, Package Outline

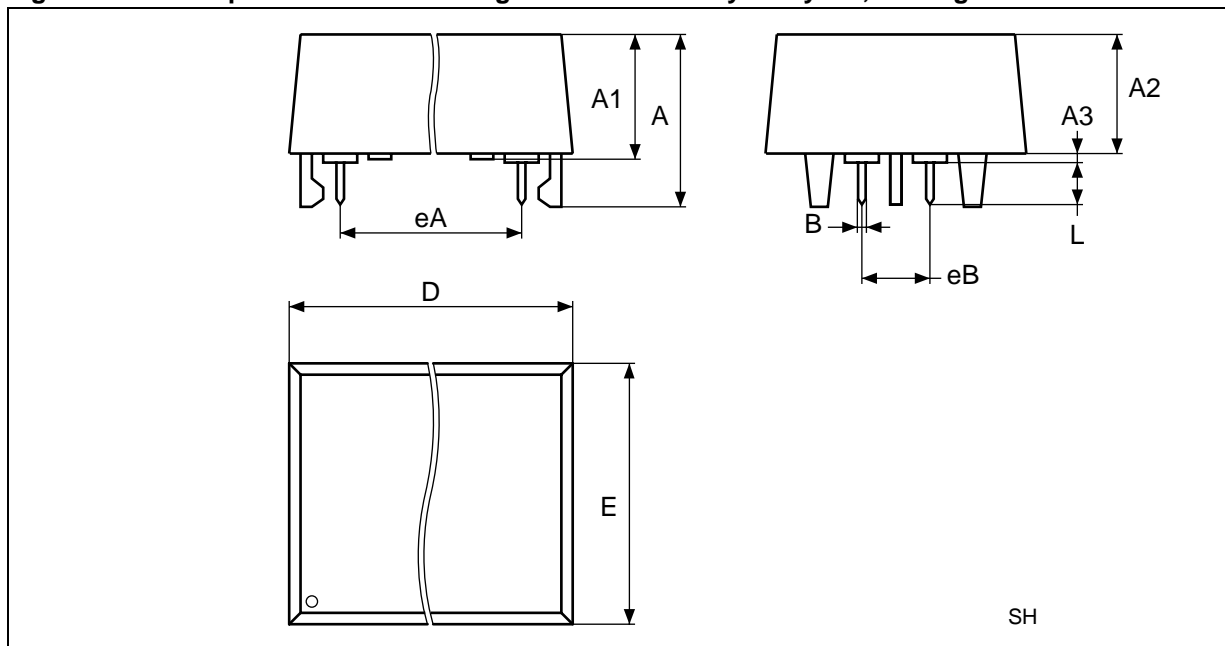


Note: Drawing is not to scale.

Table 18. SOH28 – 28-lead Plastic Small Outline, 4-socket battery SNAPHAT, Package Mechanical Data

| Symb | mm | | | inches | | |
|------|------|-------|-------|--------|--------|--------|
| | Typ | Min | Max | Typ | Min | Max |
| A | | | 3.05 | | | 0.1201 |
| A1 | | 0.05 | 0.36 | | 0.0020 | 0.0142 |
| A2 | | 2.34 | 2.69 | | 0.0921 | 0.1059 |
| B | | 0.36 | 0.51 | | 0.0142 | 0.0201 |
| C | | 0.15 | 0.32 | | 0.0059 | 0.0126 |
| D | | 17.71 | 18.49 | | 0.6972 | 0.7280 |
| E | | 8.23 | 8.89 | | 0.3240 | 0.3500 |
| e | 1.27 | – | – | 0.0500 | – | – |
| eB | | 3.20 | 3.61 | | 0.1260 | 0.1421 |
| H | | 11.51 | 12.70 | | 0.4531 | 0.5000 |
| L | | 0.41 | 1.27 | | 0.0161 | 0.0500 |
| α | | 0° | 8° | | 0° | 8° |
| N | 28 | | | 28 | | |
| CP | | | 0.10 | | | 0.0039 |

Figure 19. SH – 4-pin SNAPHAT Housing for 48mAh Battery & Crystal, Package Outline

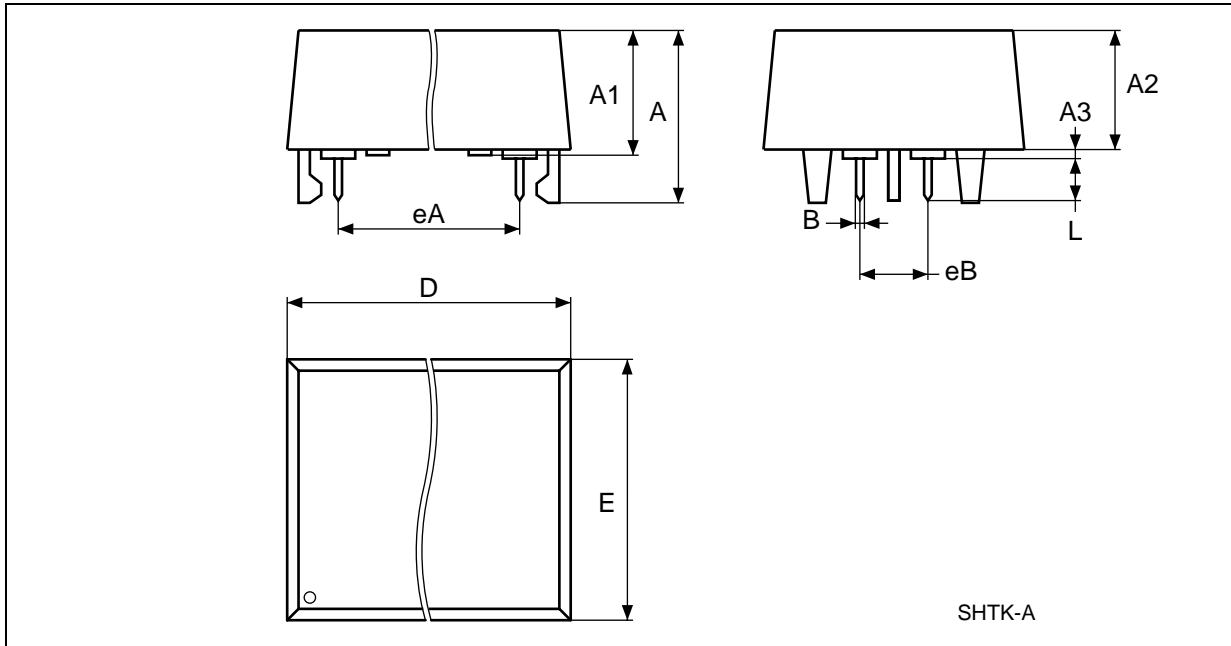


Note: Drawing is not to scale.

Table 19. SH – 4-pin SNAPHAT Housing for 48mAh Battery & Crystal, Package Mechanical Data

| Symb | mm | | | inches | | |
|------|-----|-------|-------|--------|--------|--------|
| | Typ | Min | Max | Typ | Min | Max |
| A | | | 9.78 | | | 0.3850 |
| A1 | | 6.73 | 7.24 | | 0.2650 | 0.2850 |
| A2 | | 6.48 | 6.99 | | 0.2551 | 0.2752 |
| A3 | | | 0.38 | | | 0.0150 |
| B | | 0.46 | 0.56 | | 0.0181 | 0.0220 |
| D | | 21.21 | 21.84 | | 0.8350 | 0.8598 |
| E | | 14.22 | 14.99 | | 0.5598 | 0.5902 |
| eA | | 15.55 | 15.95 | | 0.6122 | 0.6280 |
| eB | | 3.20 | 3.61 | | 0.1260 | 0.1421 |
| L | | 2.03 | 2.29 | | 0.0799 | 0.0902 |

Figure 20. SH – 4-pin SNAPHAT Housing for 120mAh Battery & Crystal, Package Outline



Note: Drawing is not to scale.

Table 20. SH – 4-pin SNAPHAT Housing for 120mAh Battery & Crystal, Package Mechanical Data

| Symb | mm | | | inches | | |
|------|-----|-------|-------|--------|-------|-------|
| | Typ | Min | Max | Typ | Min | Max |
| A | | | 10.54 | | | 0.415 |
| A1 | | 8.00 | 8.51 | | 0.315 | .0335 |
| A2 | | 7.24 | 8.00 | | 0.285 | 0.315 |
| A3 | | | 0.38 | | | 0.015 |
| B | | 0.46 | 0.56 | | 0.018 | 0.022 |
| D | | 21.21 | 21.84 | | 0.835 | 0.860 |
| E | | 17.27 | 18.03 | | 0.680 | .0710 |
| eA | | 15.55 | 15.95 | | 0.612 | 0.628 |
| eB | | 3.20 | 3.61 | | 0.126 | 0.142 |
| L | | 2.03 | 2.29 | | 0.080 | 0.090 |

REVISION HISTORY**Table 21. Document Revision History**

| Date | Revision Details |
|------------|--|
| March 1999 | First Issue |
| 05/04/00 | Page layout changed |
| 07/31/01 | Reformatted; temp/voltage info. added to tables (Table 5, 6, 8, 9) |
| 05/20/02 | Modify reflow time and temperature footnotes (Table 2) |

Information furnished is believed to be accurate and reliable. However, STMicroelectronics assumes no responsibility for the consequences of use of such information nor for any infringement of patents or other rights of third parties which may result from its use. No license is granted by implication or otherwise under any patent or patent rights of STMicroelectronics. Specifications mentioned in this publication are subject to change without notice. This publication supersedes and replaces all information previously supplied. STMicroelectronics products are not authorized for use as critical components in life support devices or systems without express written approval of STMicroelectronics.

The ST logo is registered trademark of STMicroelectronics
All other names are the property of their respective owners.

© 2002 STMicroelectronics - All Rights Reserved

STMicroelectronics GROUP OF COMPANIES
Australia - Brazil - Canada - China - Finland - France - Germany - Hong Kong - India - Israel - Italy - Japan - Malaysia -
Malta - Morocco - Singapore - Spain - Sweden - Switzerland - United Kingdom - U.S.A.

www.st.com