

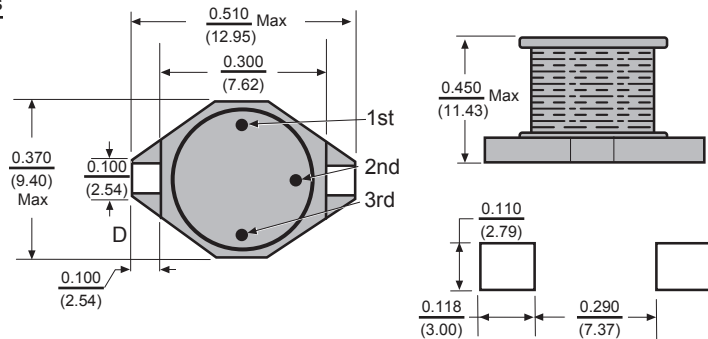


Power Chip Inductors PCI50



* Notice of marking change see "Marking" below.

Dimensions: Inches
(mm)



| Allied Part Number | Inductance (μh) | Tolerance (%) | SRF (MHz) TYP. | DCR Max. (Ω) | Isat (A) | Irms (A) |
|--------------------|-----------------|---------------|----------------|--------------|----------|----------|
| PCI50-4R7M-RC | 4.7 | 20 | 25 | .033 | 8.0 | 3.5 |
| PCI50-100M-RC | 10 | 20 | 22 | .033 | 8.0 | 3.5 |
| PCI50-150M-RC | 15 | 20 | 18 | .042 | 7.0 | 3.0 |
| PCI50-220M-RC | 22 | 20 | 11 | .054 | 5.5 | 2.5 |
| PCI50-330M-RC | 33 | 20 | 9.0 | 0.08 | 4.0 | 2.0 |
| PCI50-470M-RC | 47 | 20 | 8.0 | 0.10 | 3.8 | 1.6 |
| PCI50-680M-RC | 68 | 20 | 7.0 | 0.17 | 3.0 | 1.2 |
| PCI50-101M-RC | 100 | 20 | 5.0 | 0.22 | 2.5 | 1.2 |
| PCI50-151M-RC | 150 | 20 | 4.0 | 0.34 | 2.0 | 0.9 |
| PCI50-221M-RC | 220 | 20 | 3.5 | 0.44 | 1.6 | 0.7 |
| PCI50-331M-RC | 330 | 20 | 2.5 | 0.70 | 1.2 | 0.6 |
| PCI50-471M-RC | 470 | 20 | 2.0 | 0.95 | 1.0 | 0.3 |
| PCI50-681M-RC | 680 | 20 | 2.0 | 1.20 | 1.0 | 0.2 |
| PCI50-102M-RC | 1000 | 20 | 1.5 | 2.00 | 0.8 | 0.1 |

All specifications subject to change without notice.

Features

- High current capacity in a small foot print
- High energy storage and low DCR
- Designed with high heat resistant materials for reflow operation
- Wrap around terminals for excellent solder quality and inspection
- Flat top for pick and place assembly
- Non-standard values available

Electrical

Inductance Range: 4.7μh to 1000μh.

Tolerance: ± 20% over the entire inductance range.

Test Frequency: Inductance measured at 100KHz, 0.1 Vrms.

Operating Temp. Range: -40° to +85°C.

Inductance Drop: 20% typical at the rated Isat.

Temperature Rise: ΔT=40°C rise typical at I_{rms}.

Physical

Marking: Notice: We will be changing our marking system to the 4 character EIA code for inductance and tolerance. For example: "101K" for 100μh 10%.

Packaging: 225 pieces per 13 inch reel.