



TAI-SAW TECHNOLOGY CO., LTD.

No. 3, Industrial 2nd Rd., Ping-Chen Industrial District,
Taoyuan, 324, Taiwan, R.O.C.

TEL: 886-3-4690038 FAX: 886-3-4697532

E-mail: tstsales@mail.taisaw.com Web: www.taisaw.com

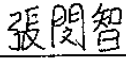
Product Specifications Approval Sheet


Product Description: SAW Filter 751 MHz SMD 3.8x3.8 mm

TST Part No.: TA1151A

Customer Part No.: _____

Customer signature required
Company: _____
Division: _____
Approved by : _____
Date: _____

Checked by: _____ David Chang 

Approved by: _____ Francis Chen 

Date: _____ 2010/01/14

1. Customer signed back is required before TST can proceed with sample build and receive orders.
2. Orders received without customer signed back will be regarded as agreement on the specifications.
3. Any specifications changes must be approved upon by both parties and a new revision of specifications shall be released to reflect the changes.



TAI-SAW TECHNOLOGY CO., LTD.

No. 3, Industrial 2nd Rd., Ping-Chen Industrial District,
Taoyuan, 324, Taiwan, R.O.C.

TEL: 886-3-4690038 FAX: 886-3-4697532

E-mail: tstsales@mail.taisaw.com Web: www.taisaw.com

SAW Filter 751 MHz

MODEL NO.: TA1151A

REV. NO.:1

A. MAXIMUM RATING:

1. Input Power Level: 5 dBm
2. DC Voltage : 3 V
3. Operating Temperature: -20°C to +70°C
4. Storage Temperature: -40°C to +85°C

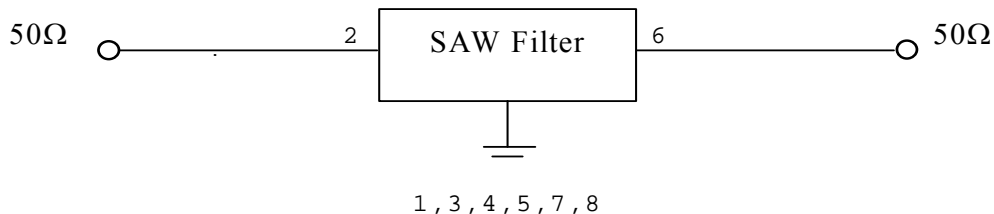
RoHS Compliant
Lead free
Lead-free soldering

B. ELECTRICAL CHARACTERISTICS:

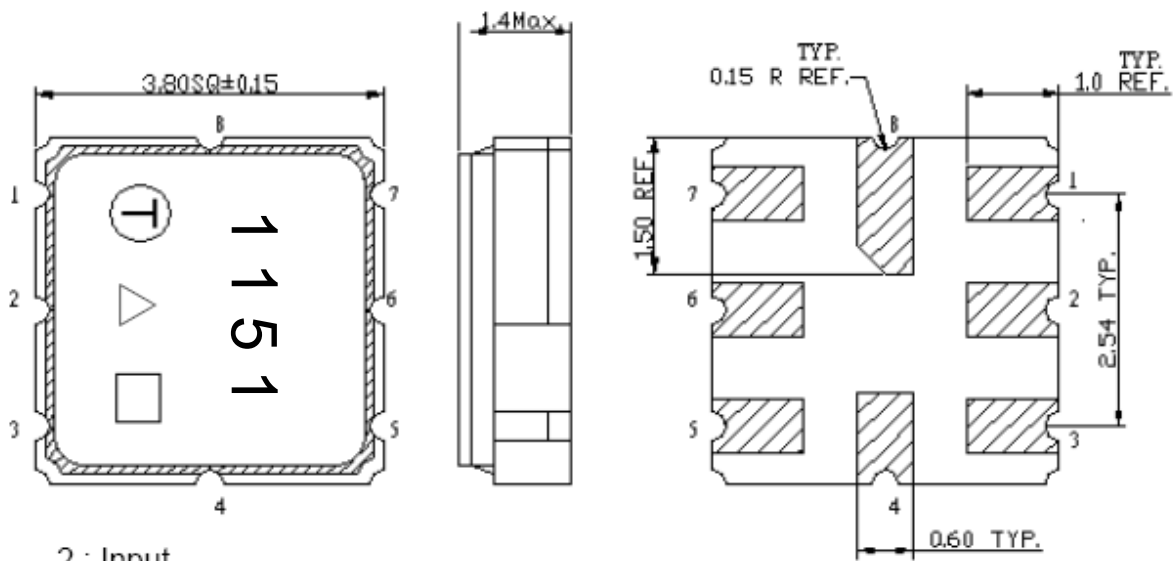
Item	Unit	Min.	Type.	Max.
Center frequency Fc	MHz	-	751	-
Insertion Loss (746~756 MHz) IL	dB	-	1.4	3
Amplitude Ripple (746~756 MHz)	dB	-	0.5	1.5
Return Loss (746~756 MHz)	dB	10	14	-
Attenuation (Reference level from 0 dB)				
0 ~ 708 MHz	dB	30	41	-
777 ~ 787 MHz	dB	52	61	-
873 ~ 973 MHz	dB	40	44	-
1200 ~ 2000 MHz	dB	25	32	-
Temperature coefficient of Frequency	Ppm/°C	-	-36	-

C. MEASUREMENT CIRCUIT:

HP Network analyzer



D.OUTLINE DRAWING:

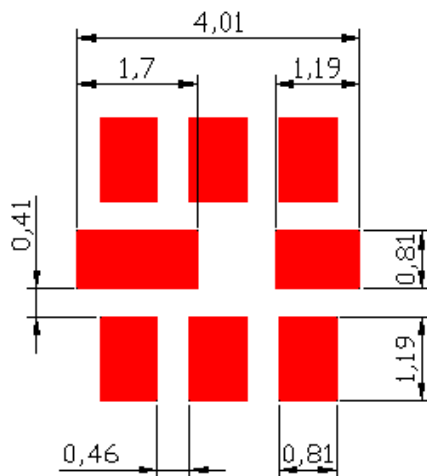


- 2 : Input
- 6: Output
- 1,3,4,5,7,8: Ground
- △ : Year Code
- : Date Code (W01->A, W02->B,...,W52->z)

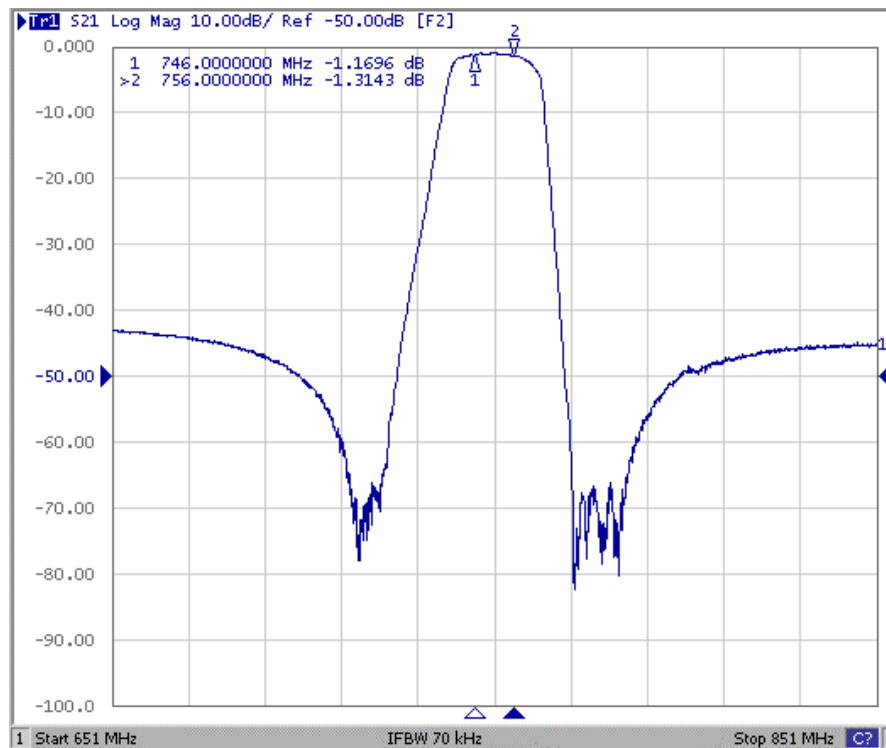
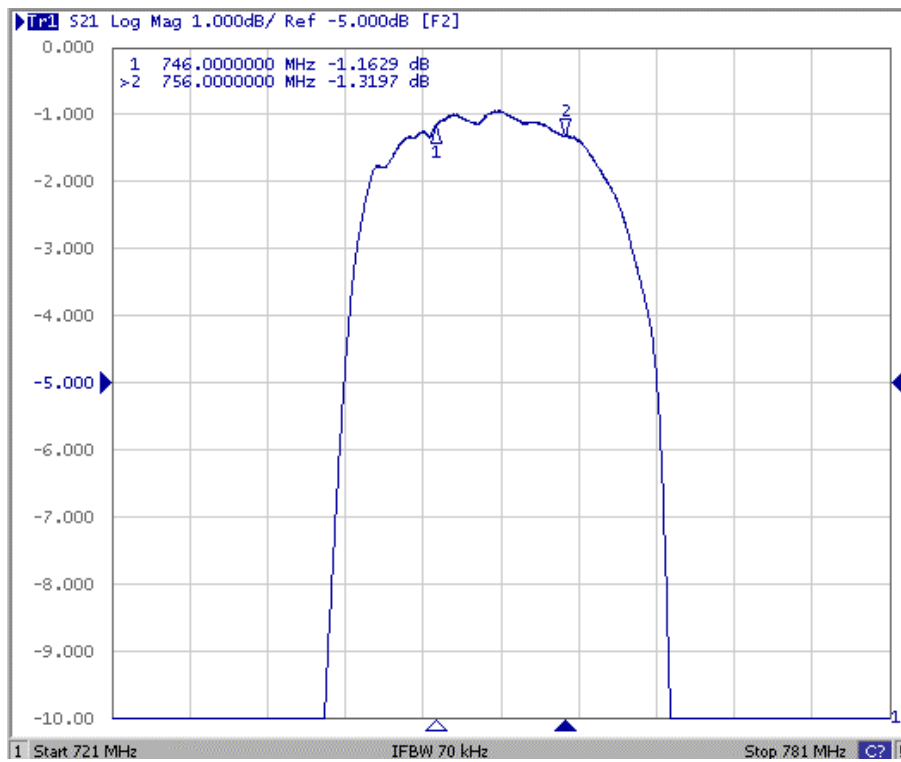
△ Product Year Code

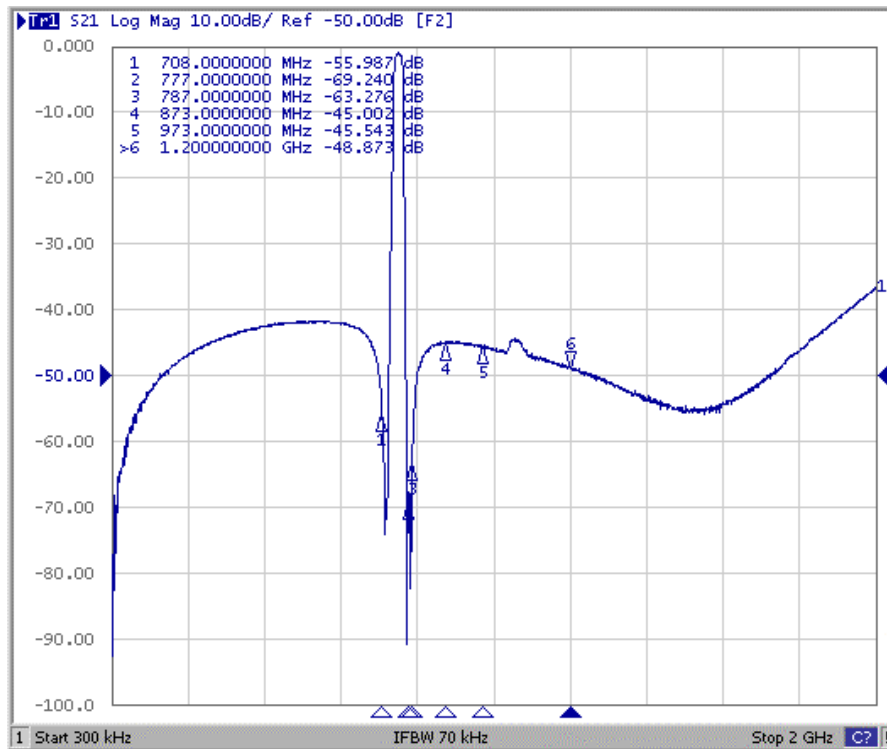
Year	2009	2010
	2011	2012
	2013	2014
	2015	2016
	Product Code	A

E. PCB Footprint:



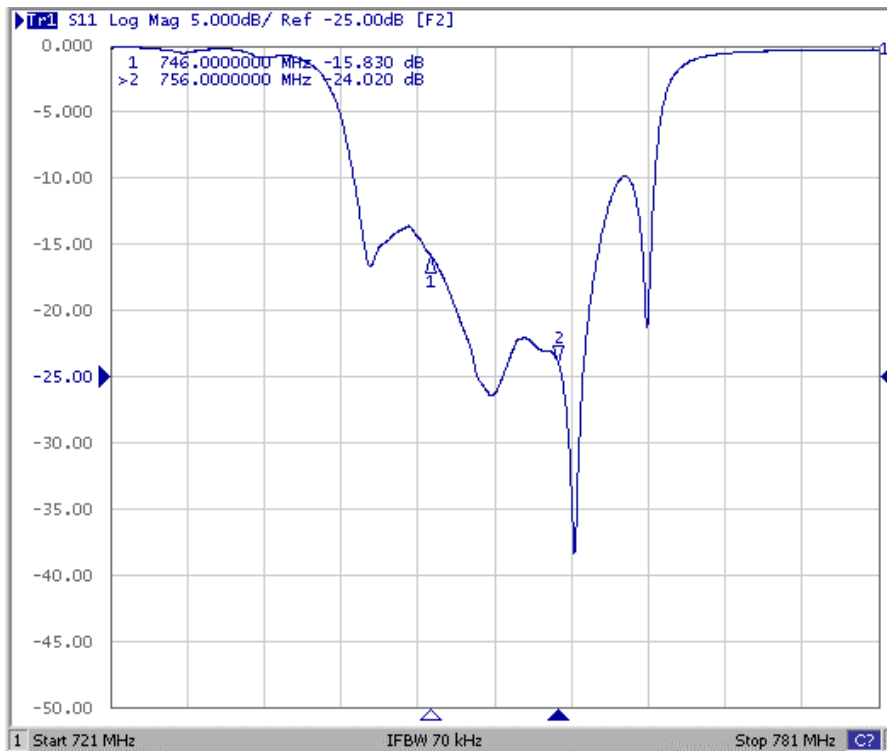
F. Frequency Characteristics :



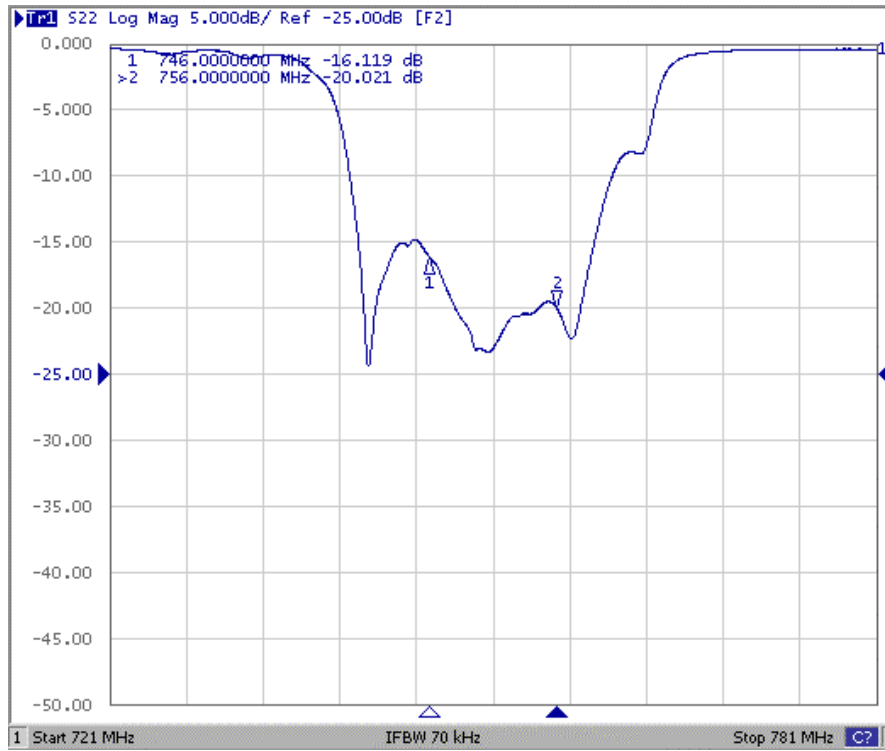


Reflection Functions :

S11

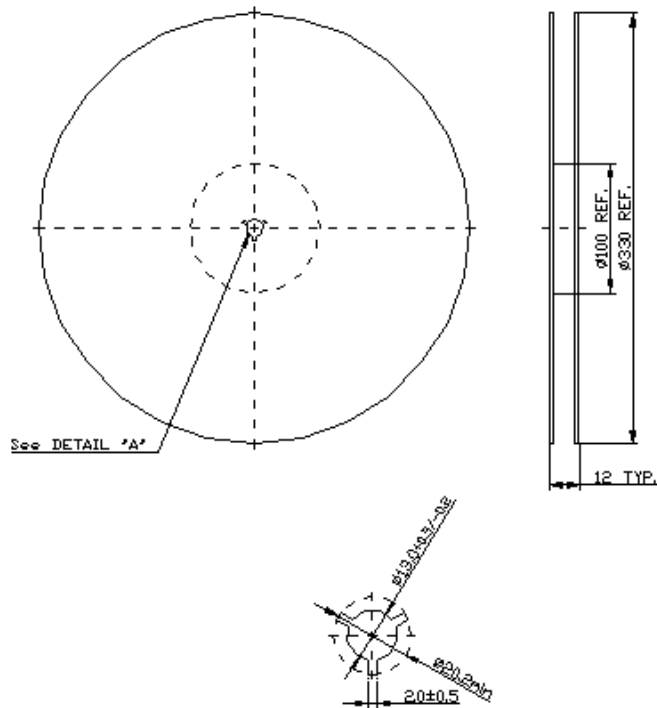


S22

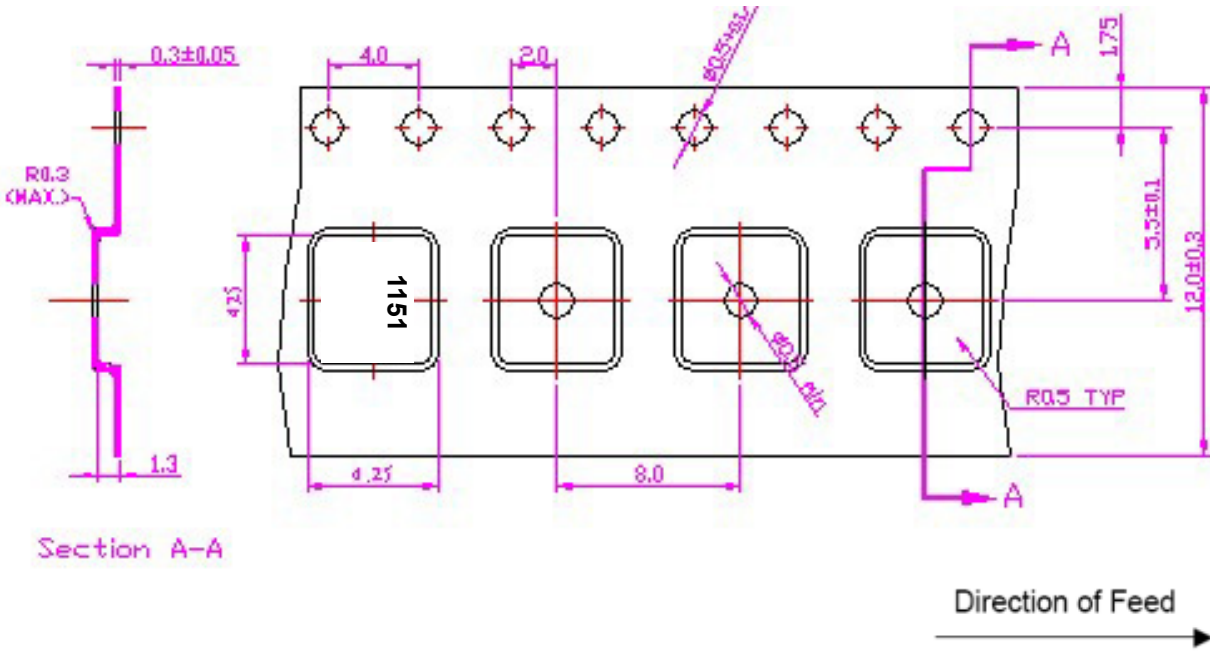


G. PACKING:

1. REEL DIMENSION



2. TAPE DIMENSION



H. RECOMMENDED REFLOW PROFILE :

