

PLEASE CHECK WWW.MOLEX.COM FOR LATEST PART INFORMATION

Part Number: [0593209028](#)
Status: **Active**
Overview: [minihmc](#)
Description: HMC™ Rectangular Industrial Male Terminal, Multi-Module Type, Reel

Documents:

[3D Model](#) [RoHS Certificate of Compliance \(PDF\)](#)
[Drawing \(PDF\)](#)

General

Product Family	Crimp Terminals
Series	59320
Crimp Quality Equipment	Yes
Overview	minihmc
Product Name	HMC™

Physical

Durability (mating cycles max)	50
Gender	Plug
Material - Metal	Brass
Material - Plating Mating	Gold
Material - Plating Termination	Tin
Packaging Type	Reel
Plating min: Mating (µin)	10
Plating min: Mating (µm)	0.25
Plating min: Termination (µin)	40
Plating min: Termination (µm)	1
Termination Interface: Style	Crimp or Compression
Wire Insulation Diameter	2.20-2.70mm (.087-.106")
Wire Size AWG	16
Wire Size mm²	N/A

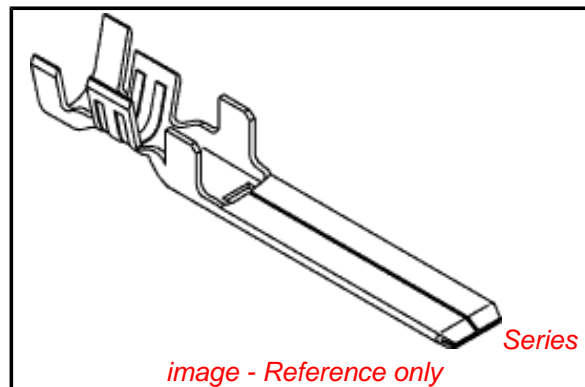
Electrical

Current - Maximum per Contact	13A
Voltage - Maximum	250V AC / 300V DC

Material Info

Reference - Drawing Numbers

Product Specification	RPS-58719-008
Sales Drawing	SD-59320-002



EU RoHS

**ELV and RoHS
Compliant**

REACH SVHC

Not Reviewed

Halogen-Free

Status

Not Reviewed

China RoHS



**Need more information on product
environmental compliance?**

Email productcompliance@molex.com
 For a multiple part number RoHS Certificate of Compliance, [click here](#)

Please visit the [Contact Us](#) section for any non-product compliance questions.

Search Parts in this Series

[59320Series](#)

Use With

[51194 Housing](#)

Application Tooling | FAQ

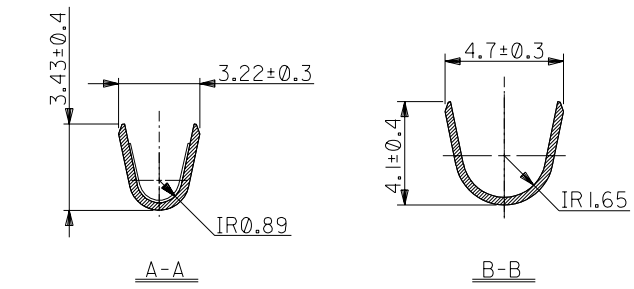
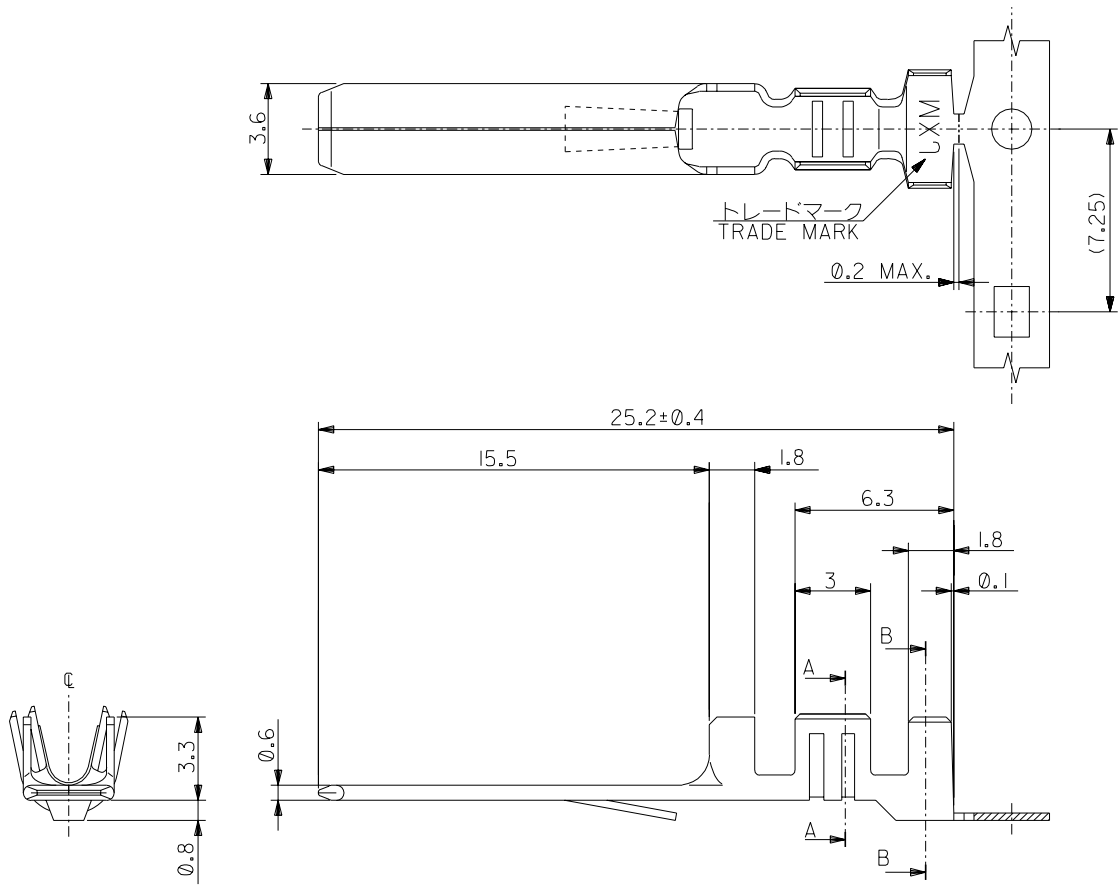
Tooling specifications and manuals are found by selecting the products below. Crimp Height Specifications are then contained in the Application Tooling Specification document.

Japan

Description	Product #
Applicator for M211A Bench Press, 14-18 AWG, for 50637/50638/59319/59320 Crimp Terminal Large Applicator For	0573553000
5-Ton Press	0573553200

PLEASE CHECK WWW.MOLEX.COM FOR LATEST PART INFORMATION

DWG. NO. SD-59320-002



- 注)
NOTES:
1. 材質
MATERIAL
黄銅 (板厚: 0.3)
BRASS (THICKNESS : 0.3)
 2. メッキ仕様
TERMINAL PLATING
接点部 : 金メッキ 0.25 μm MIN.
CONTACT AREA : GOLD 0.25 MICROMETER MIN.
圧着部 : 錫メッキ 1.0 μm MIN.
CRIMP AREA : TIN 1.0 MICROMETER MIN.
下地メッキ : ニッケルメッキ 2.0 μm MIN.
UNDER PLATE : NICKEL 2.0 MICROMETER MIN.
 3. 適用電線範囲 : UL 2517 , AWG #16
APPLICABLE WIRE RANGE : UL2517 , AWG #16
 4. 被覆外径 : φ2.2~φ2.7
INSULATION EXTERNAL DIA : φ2.2~φ2.7
 5. 適用ハウジングアッセンブリ : 51194 シリーズ
APPLICABLE HOUSING ASS'Y : 51194 SERIES
 6. 本製品は59320-***90の鉛フリー品である。
THIS PRODUCT IS LEAD FREE OF 59320-***90.

バラ状 LOOSE	59320-9128	59320-***28
連鎖状 CHAIN	59320-9028	
端子形状 TERMINAL CONFIGURATION	MATERIAL No.	MODEL No.

DO NOT SCALE DRAWING

EC NO. DRWN: CHK: APPR:	EC NO. DRWN: CHK: APPR:	EC NO. DRWN: CHK: APPR:	EC NO. DRWN: CHK: APPR:	EC NO. DRWN: CHK: APPR:	RELEASED EC NO. J2004-3411 DRWN: Y.WADA '04/03/29 CHK: M.SASAO '04/03/29 APPR: M.SASAO '04/03/29	MATERIAL 材料	GENERAL TOLERANCES: (UNLESS SPECIFIED) 一般公差	SCALE 1:1	DESIGN UNITS <input checked="" type="checkbox"/> mm <input type="checkbox"/> INCH	THIRD ANGLE PROJECTION	DIMENSIONS: <input type="checkbox"/> mm <input type="checkbox"/> INCH <input checked="" type="checkbox"/> mm ONLY	SHT REV
						FINISH 仕上げ	10 UNDER 未満	±0.2	DRAWN BY & DATE Y.WADA '04/03/29	TITLE: POWER CONN. REC. CRIMP TERMINAL -LEAD FREE-		
						WIRE RANGE 適用電線範囲	10 OVER 30 UNDER 以上 未満	±0.25	CHECKED BY & DATE M.SASAO '04/03/29			
						INS. RANGE 被覆外径	30 OVER 以上	±0.3	APPROVED BY & DATE M.SASAO '04/03/29	MOLEX INCORPORATED		
							ANGLE 角度	±3°	CAD FILENAME SD-59320-002.S01	MATERIAL NO. SEE CHART	DRAWING NO. SD-59320-002	SHEET NO. 1 OF 1
THIS DRAWING CONTAINS INFORMATION THAT IS PROPRIETARY TO MOLEX INCORPORATED AND SHOULD NOT BE USED WITHOUT WRITTEN PERMISSION.											SIZE B	