

PLEASE CHECK WWW.MOLEX.COM FOR LATEST PART INFORMATION

Part Number: [0850421184](#)
Status: **Active**
Overview: [din_41612](#)
Description: 2.54mm (.100") Pitch DIN 41612 Receptacle, Style C/2, 48 Circuits

Documents:

[3D Model](#) [RoHS Certificate of Compliance \(PDF\)](#)
[Drawing \(PDF\)](#)

Agency Certification

CSA LR19980
 UL E29179

General

Product Family Backplane Connectors
 Series [85042](#)
 Application Daughtercard
 Component Type PCB Receptacle
 Overview [din_41612](#)
 Product Name IEC 603-2/DIN 41612
 Style C/2

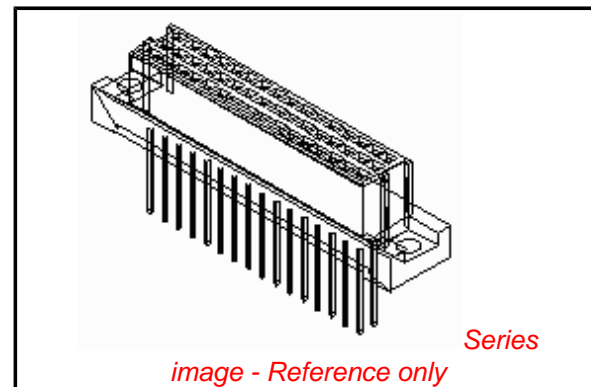
Physical

Circuits (Loaded) 48
 Circuits (maximum) 48
 Circuits Detail Rows A, B, & C
 Durability (mating cycles max) 500
 First Mate / Last Break No
 Flammability 94V-0
 Guide to Mating Part No
 Keying to Mating Part Yes
 Number of Columns 16
 Number of Pairs Open Pin Field
 Number of Rows 3
 Orientation Vertical
 PC Tail Length (in) 0.114 In
 PC Tail Length (mm) 2.90 mm
 PCB Locator No
 PCB Retention Yes
 Packaging Type Tray
 Pitch - Mating Interface (in) 0.100 In
 Pitch - Mating Interface (mm) 2.54 mm
 Pitch - Term. Interface (in) 0.100 In
 Pitch - Term. Interface (mm) 2.54 mm
 Polarized to PCB Yes
 Stackable No
 Surface Mount Compatible (SMC) No
 Temperature Range - Operating -55°C to +125°C

Electrical

Current - Maximum per Contact 1A
 Data Rate 622.0 Mbps
 Real Signals (per 25mm) 29
 Shielded No
 Voltage - Maximum 250V AC (RMS)

Material Info



EU RoHS

**ELV and RoHS
 Compliant**
REACH SVHC
 Not Reviewed
**Halogen-Free
 Status**
Not Reviewed

China RoHS



**Need more information on product
 environmental compliance?**

Email productcompliance@molex.com
 For a multiple part number RoHS Certificate of
 Compliance, [click here](#)

Please visit the [Contact Us](#) section for any
 non-product compliance questions.

Search Parts in this Series

[85042Series](#)

Mates With

DIN 41612 Headers [85003](#) , [85013](#)

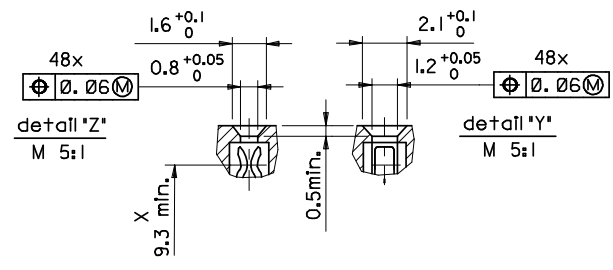
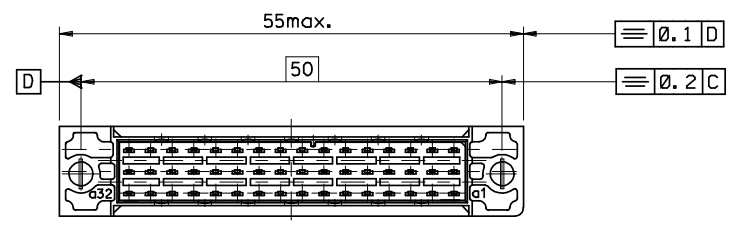
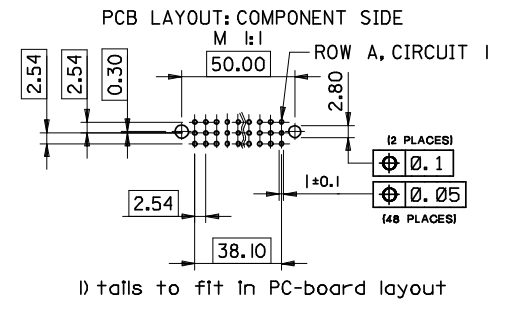
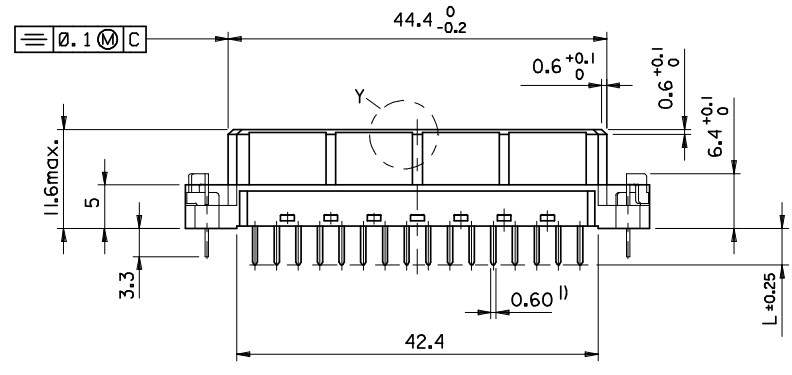
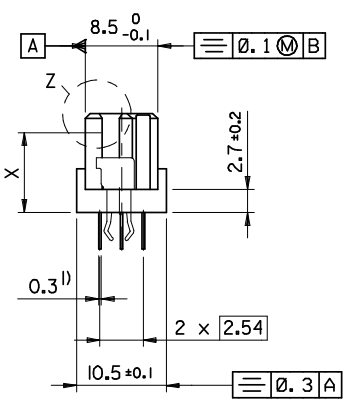
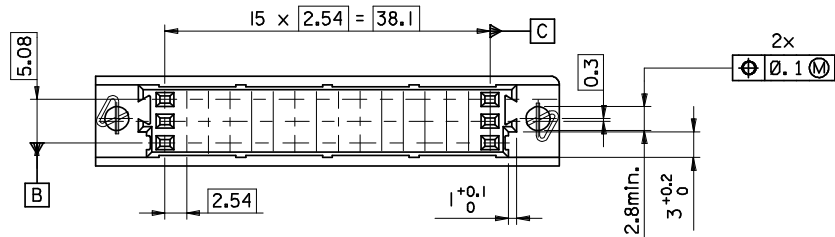
Reference - Drawing Numbers

Sales Drawing

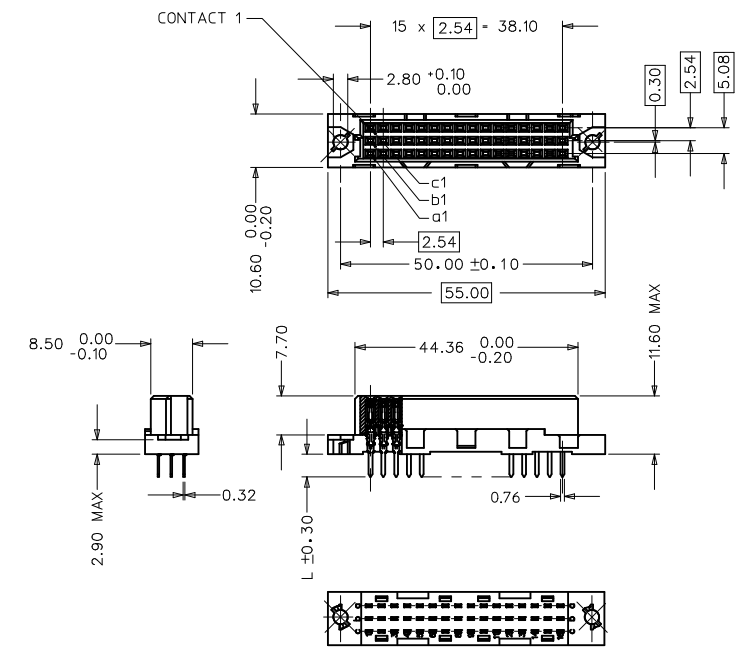
SD-85042-0002, SD-85042-002

This document was generated on 05/17/2010

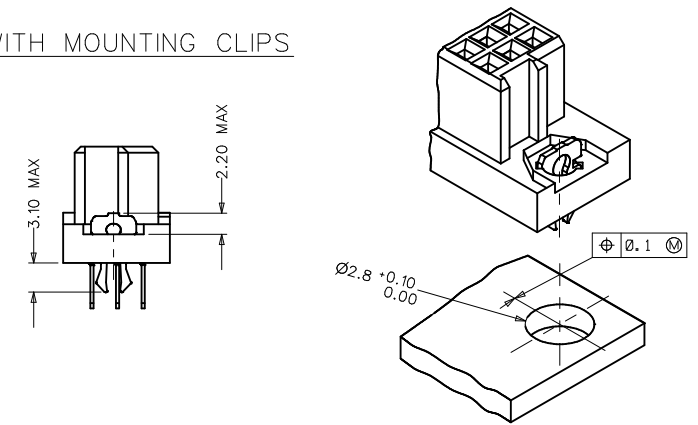
PLEASE CHECK WWW.MOLEX.COM FOR LATEST PART INFORMATION



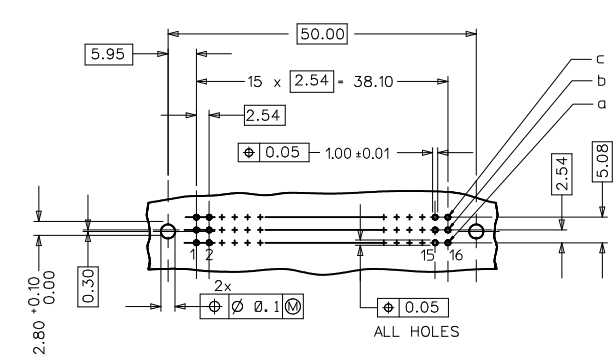
| | | | | | | | |
|--|--------------------------------------|---|------------|---|---|---------------------------------|--|
| ENTER DESCRIPTION EC NO: 12009-008Z 2008/08/20 DRWNS:J CHKD:KPRASAD 2008/08/25 APPR:KPRASAD 2008/08/26 | QUALITY SYMBOLS ▽=0 ▽=0 | GENERAL TOLERANCES (UNLESS SPECIFIED) | | DIMENSION STYLE MM ONLY | SCALE --- | DESIGN UNITS METRIC | THIRD ANGLE PROJECTION |
| | | 4 PLACES ±--- ±--- 3 PLACES ±--- ±--- 2 PLACES ±--- ±--- 1 PLACE ±--- ±--- ANGULAR ±---° | mm INCH | DRAWN BY: SUMESH DATE: 2008/08/13 CHECKED BY: KPRASAD DATE: 2008/08/13 APPROVED BY: KPRASAD DATE: 2008/08/13 | TITLE: 48 POS. FEMALE CONNECTOR DIN 41612, STYLE C/2 DIMENSIONS | Molex MOLEX INCORPORATED | MATERIAL NO. 850426115 DOCUMENT NO. SD-85042-0002 |
| DRAFT WHERE APPLICABLE MUST REMAIN WITHIN DIMENSIONS | | THIS DRAWING CONTAINS INFORMATION THAT IS PROPRIETARY TO MOLEX INCORPORATED AND SHOULD NOT BE USED WITHOUT WRITTEN PERMISSION | | | | | |



WITH MOUNTING CLIPS



RECOMMENDED PCB LAYOUT
COMPONENT SIDE



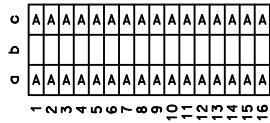
- NOTES:
- 1) MATERIALS: THERMOPLASTIC POLYESTER, GLASS FILLED, UL94V-0, COLOUR: PEBBLE GREY RAL 7032
TERMINAL - PHOSPHOR BRONZE
MOUNTING CLIP: STEEL
 - 2) FINISH: TERMINAL:-
CONTACT AREA:
1. PERFORMANCE LEVEL 1: SELECTIVE GOLD (Au), THICKNESS = 1.1 MICROMETER OVER NICKEL, THICKNESS = 1.5 MICROMETER
2. PERFORMANCE LEVEL 2: SELECTIVE GOLD (Au), THICKNESS = 0.6 MICROMETER OVER NICKEL, THICKNESS = 1.5 MICROMETER
3. PERFORMANCE LEVEL 3: SELECTIVE GOLD (Au), THICKNESS = 0.3 MICROMETER OVER NICKEL, THICKNESS = 1.5 MICROMETER
TERMINATION AREA:
SELECTIVE TIN, THICKNESS = 5 MICROMETER OVER NICKEL, THICKNESS = 1.5 MICROMETER OVERALL
 - 3) MOUNTING CLIP:-
TIN (Sn), THICKNESS = 5-10 MICROMETER, OVER NICKEL (Ni), THICKNESS = 2.5 MICROMETER
 - 4) FOR NON MOUNTING CLIP OPTION, CONNECTOR TO BE SECURED WITH RIVETS: 2 TUBULAR RIVETS 2.5 x 0.3 ... DIN 7340
SCREWS: 2 CHEESEHEAD SCREWS M2.5 x DIN 84 AND 2 HEXAGONAL NUTS M2.5 DIN 934
 - 5) MATERIAL No, BATCH CODE, UL AND CSA MARKING TO BE PRINTED ON THE CONNECTOR.
 - 6) CUT FACES OF TIP WITHOUT PLATING PERMITTED.
 - 7) PRODUCT SPECIFICATION PS-85042-0001

RoHS COMPLIANT

| | | | | | | | | | |
|---|---|--|---------|--|--------------------|--|-------------------------------|----------------------------|--|
| ENTER DESCRIPTION EC NO: 2070-0293 2009/12/04 DR/WR/KR/KUMAR 20/10/01/27 CH/KD/KPRASAD APPR/KPRASAD 20/10/03/11 | QUALITY SYMBOLS ▽=0 ▽=0 ▽=0 | GENERAL TOLERANCES (UNLESS SPECIFIED) | | DIMENSION STYLE MM ONLY | | SCALE 1:1 | DESIGN UNITS METRIC | THIRD ANGLE PROJECTION | |
| | | 4 PLACES ± --- ± --- | mm INCH | DRAWN BY SHANKAR | DATE 2006/04/25 | TITLE ASSY DIN41612 C/2 FEMALE 48 POS 1.0MM PCB DIA | | | |
| | | 3 PLACES ± 0.005 ± --- | | CHECKED BY SSUDHIR | DATE 2006/04/25 | MATERIAL NO. SD-85042-002 | | | |
| | | 2 PLACES ± 0.1 ± --- 1 PLACE ± 0.15 ± --- ANGULAR ± 2° | | APPROVED BY SSUDHIR | DATE 2006/04/25 | DOCUMENT NO. SD-85042-002 | | | |
| DRAFT WHERE APPLICABLE MUST REMAIN WITHIN DIMENSIONS | | SEE SHEET 2 | | MATERIAL NO. SD-85042-002 | | | | SHEET NO. 1 OF 2 | |
| THIS DRAWING CONTAINS INFORMATION THAT IS PROPRIETARY TO MOLEX INCORPORATED AND SHOULD NOT BE USED WITHOUT WRITTEN PERMISSION | | | | | | | | | |

| MATERIAL No | MOLEX ENG No | PERF LEVEL | PLATING | CONTACT SEQUENCE/ROW | DIM "L" mm | MOUNTING CLIP | FLUX PROOF |
|-------------|--------------|------------|---------|----------------------|------------|---------------|------------|
| 850424294 | 85042-4294 | 2 | Au+Ni | 1.2.3....16 a+b+c | 2.9 | YES | NO |
| 850429025 | 85042-9025 | 2 | Au+Ni | 1.2.3....16 a+b+c | 4.5 | YES | NO |
| 850420048 | 85042-0048 | 2 | Au+Ni | 1.2.3....16 a+c | 4.5 | NO | NO |
| 850420086 | 85042-0086 | 2 | Au+Ni | 1.2.3....16 a+b+c | 4.5 | NO | NO |
| 850421184 | 85042-1184 | 1 | Au+Ni | 1.2.3....16 a+b+c | 2.9 | NO | YES |
| 850421330 | 85042-1330 | 1 | Au+Ni | 1.2.3....16 a+b+c | 4.5 | NO | NO |
| 850424268 | 85042-4268 | 2 | Au+Ni | 1.2.3....16 a+b+c | 2.9 | NO | NO |
| 850424282 | 85042-4282 | 2 | Au+Ni | 1.2.3....16 a+c | 2.9 | YES | NO |
| 850426098 | 85042-6098 | 3 | Au+Ni | 1.2.3....16 a+b+c | 2.9 | NO | NO |
| 850429022 | 85042-9022 | 2 | Au+Ni | 1.2.3....16 a+c | 2.9 | YES | NO |

View on mating side



View on mating side



RoHS COMPLIANT

| | | | | | | | |
|---|---|---|--|--|--|---------------------------|---|
| ENTER DESCRIPTION IEC NO: 2090-0293 DRAWN BY: DRWINRUKUMAR 2009/12/04 CHECKED BY: CHIKOKPRASAD 2010/01/27 APPROVED BY: APPR:KPRASAD 2010/03/11 | QUALITY SYMBOLS ▽=0 ▽=0 | GENERAL TOLERANCES (UNLESS SPECIFIED) mm INCH 4 PLACES ±--- ±--- 3 PLACES ±--- ±--- 2 PLACES ±--- ±--- 1 PLACE ±--- ±--- ANGULAR ±---° | | DIMENSION STYLE MM ONLY | SCALE --- DESIGN UNITS METRIC | THIRD ANGLE PROJECTION | |
| | DRAWN BY: SHANKAR 2006/04/25 CHECKED BY: SSUDHIR 2006/04/25 APPROVED BY: SSUDHIR 2006/04/25 | DRAFT WHERE APPLICABLE MUST REMAIN WITHIN DIMENSIONS | | SEE CHART | TITLE ASSY DIN41612 C/2 FEMALE 48 POS 1.0MM PCB DIA | MOLEX INCORPORATED | |
| | REV B1 | DESCRIPTION | | MATERIAL NO. | DOCUMENT NO. SD-85042-002 | SHEET NO. 2 OF 2 | THIS DRAWING CONTAINS INFORMATION THAT IS PROPRIETARY TO MOLEX INCORPORATED AND SHOULD NOT BE USED WITHOUT WRITTEN PERMISSION |
| | SIZE 1 | | | | | | |