

Harmonic chokes

Rated voltage 250 Vac / 350 Vdc

Rated current 1 A to 10 A

Rated inductance 0,18 to 40 mH

Construction

- Ring core choke with iron powder core
- Two sizes (B826*5 and B826*7)
- Single and double chokes in each size
- Plastic case
- Complete resin potting



Features

- Case and potting flame-retardant as per UL 94 V-0
- High attenuation of differential-mode interference at low frequencies

Applications

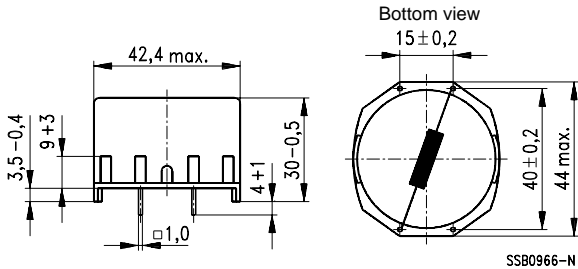
- Reduction of harmonics, e.g. in
 - washing machines
 - TV sets, PCs
 - household appliances

Terminals

- B82615 and B82625:
Pins fitting standard PCB grid
- B82617 and B82627:
lead wires brought out of case,
approx. 20 mm of wire ends tinned

Marking

Ordering code, rated inductance, rated current, dc resistance, manufacturer, date of manufacture

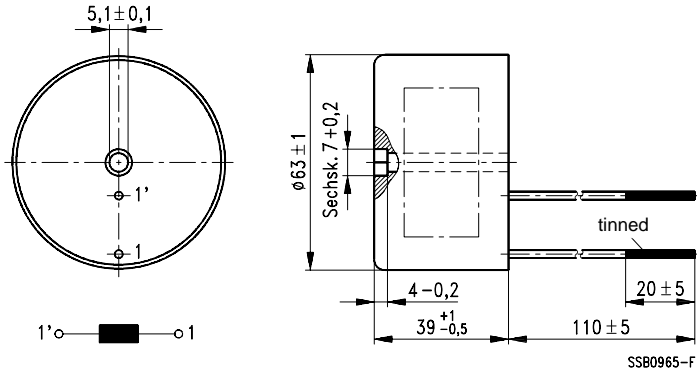
Harmonic single choke
Dimensional drawing

General technical data

Inductance tolerance	± 20 %
Rated current I_R	Referred to 50 Hz und + 40 °C ambient temperature
DC resistance R_{typ}	Typical value, measured at + 20 °C ambient temperature
Climatic category	In accordance with IEC 60068-1 40/125/56 (– 40 °C/+ 125 °C/56 days damp heat test)
Weight	Approx. 110 g

For further technical data [see page 315](#)

Characteristics and ordering codes

I_R A	L_R mH	R_{typ} Ω	Ordering code
1	20	3,0	B82615-B2102-M1
2	5,0	0,90	B82615-B2202-M1
3	2,5	0,40	B82615-B2302-M1
4	1,5	0,22	B82615-B2402-M1
5	1,0	0,15	B82615-B2502-M1
6	0,7	0,10	B82615-B2602-M1

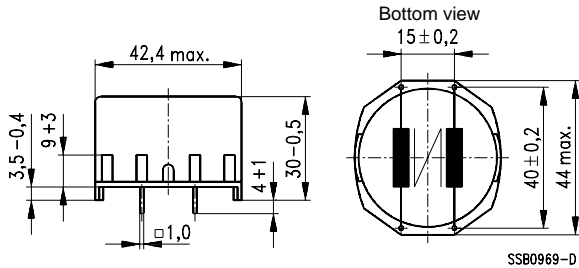
Harmonic single choke
Dimensional drawing

General technical data

Inductance tolerance	$\pm 20 \%$
Rated current I_R	Referred to 50 Hz and + 40 °C ambient temperature
DC resistance R_{typ}	Typical value, measured at + 20 °C ambient temperature
Climatic category	In accordance with IEC 60068-1 40/125/56 (- 40 °C/+ 125 °C/56 days damp heat test)
Weight	Approx. 380 g

For further technical data [see page 315](#)

Characteristics and ordering codes

I_R A	L_R mH	R_{typ} Ω	Ordering code
1	40	3,2	B82617-F2102-M1
2	18	1,2	B82617-F2202-M1
3	9,5	0,70	B82617-F2302-M1
4	5,5	0,41	B82617-F2402-M1
5	3,5	0,28	B82617-F2502-M1
6	2,4	0,185	B82617-F2602-M1
8	1,4	0,100	B82617-F2802-M1
10	1,0	0,065	B82617-F2103-M1

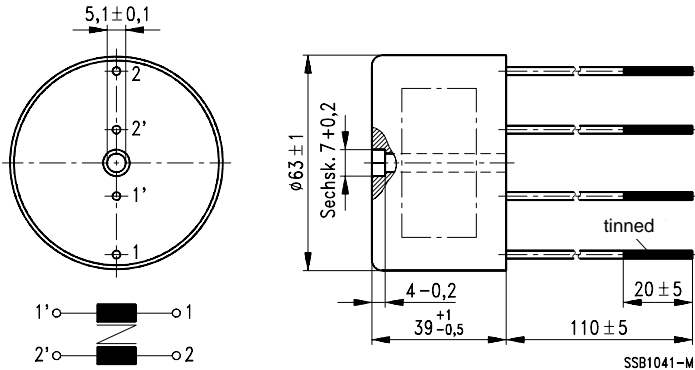
Harmonic double choke
Dimensional drawing

General technical data

Inductance tolerance	$\pm 20 \%$
Rated current I_R	Referred to 50 Hz and + 40 °C ambient temperature
DC resistance R_{typ}	Typical value, measured at + 20 °C ambient temperature
Climatic category	In accordance with IEC 60068-1 40/125/56 (– 40 °C/+ 125 °C/56 days damp heat test)
Weight	Approx. 120 g

For further technical data [see page 315](#)

Characteristics and ordering codes

I_R A	L_R mH	R_{typ} Ω	Ordering code
1	5	1,40	B82625-B2102-M1
2	1,2	0,45	B82625-B2202-M1
3	0,7	0,20	B82625-B2302-M1
4	0,4	0,11	B82625-B2402-M1
5	0,25	0,075	B82625-B2502-M1
6	0,18	0,050	B82625-B2602-M1

Harmonic double choke
Dimensional drawing

General technical data

Inductance tolerance	$\pm 20\%$
Rated current I_R	Referred to 50 Hz and + 40 °C ambient temperature
DC resistance R_{typ}	Typical value, measured at + 20 °C ambient temperature
Climatic category	In accordance with IEC 60068-1 40/125/56 (- 40 °C/+ 125 °C/56 days damp heat test)
Weight	Approx. 380 g

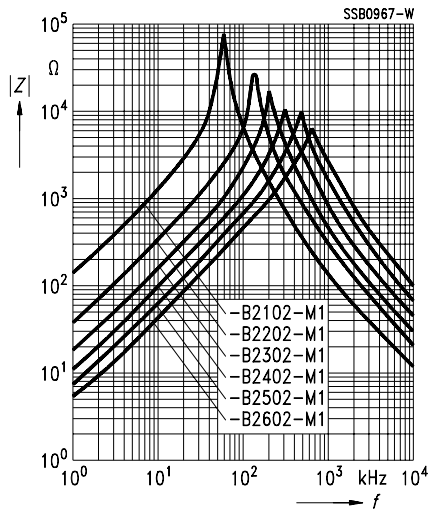
For further technical data [see page 315](#)

Characteristics and ordering codes

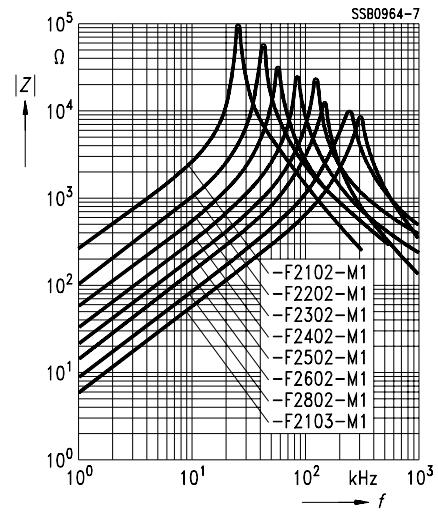
I_R A	L_R mH	R_{typ} Ω	Ordering code
1	10,0	2,0	B82627-F2102-M1
2	4,5	0,65	B82627-F2202-M1
3	2,5	0,38	B82627-F2302-M1
4	1,5	0,20	B82627-F2402-M1
5	0,9	0,14	B82627-F2502-M1
6	0,6	0,09	B82627-F2602-M1
8	0,35	0,05	B82627-F2802-M1
10	0,25	0,035	B82627-F2103-M1

Impedance $|Z|$
versus frequency f

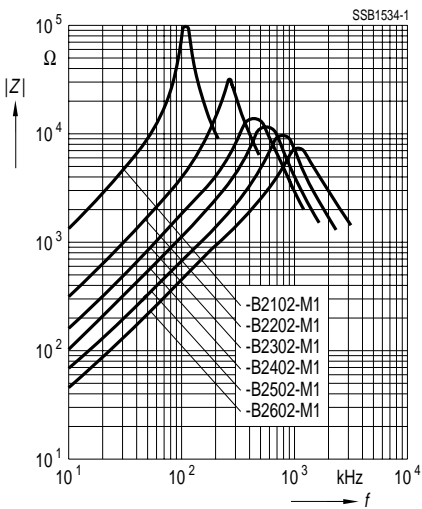
B82615-



B82617-



B82625-



B82627-

