

# HD74HCT1G86

2-input Exclusive-OR Gate

# HITACHI

ADE-205-307B (Z)  
3rd. Edition  
April 2001

## Description

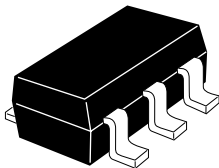
The HD74HCT1G86 is high speed CMOS two input exclusive-OR gate using silicon gate CMOS process. With CMOS low power dissipation, it provides high speed equivalent to LS-TTL series. The internal circuit of three stages construction with buffer provides wide noise margin and stable output.

## Features

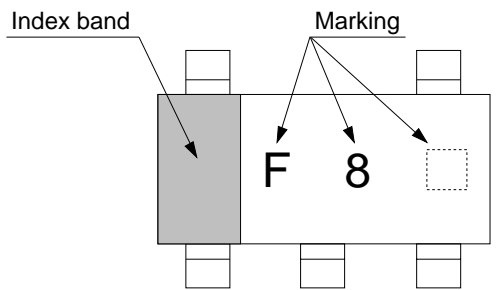
- The basic gate function is lined up as hitachi uni logic series.
- Supplied on emboss taping for high speed automatic mounting.
- TTL compatible input level.  
Supply voltage range : 4.5 to 5.5 V  
Operating temperature range : -40 to +85°C
- $|I_{OH}| = I_{OL} = 2 \text{ mA (min)}$

## Outline and Article Indication

- HD74HCT1G86



CMPAK-5



# HD74HCT1G86

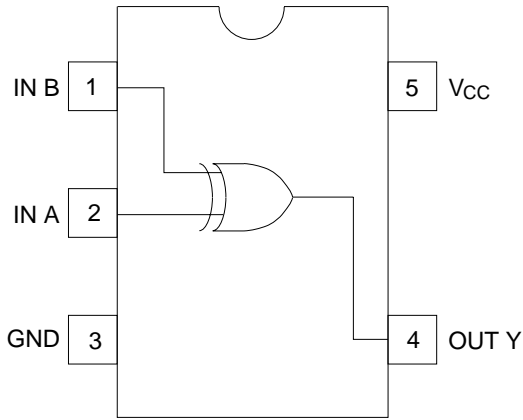
## Function Table

Inputs		Output Y
A	B	
L	L	L
L	H	H
H	L	H
H	H	L

H : High level

L : Low level

## Pin Arrangement



(Top view)

## Absolute Maximum Ratings

Item	Symbol	Ratings	Unit	Test Conditions
Supply voltage range	$V_{CC}$	-0.5 to 7.0	V	
Input voltage range <sup>*1</sup>	$V_I$	-0.5 to $V_{CC} + 0.5$	V	
Output voltage range <sup>*1,2</sup>	$V_O$	-0.5 to $V_{CC} + 0.5$	V	Output : H or L
Input clamp current	$I_{IK}$	$\pm 20$	mA	$V_I < 0$ or $V_I > V_{CC}$
Output clamp current	$I_{OK}$	$\pm 20$	mA	$V_O < 0$ or $V_O > V_{CC}$
Continuous output current	$I_O$	$\pm 25$	mA	$V_O = 0$ to $V_{CC}$
Continuous current through $V_{CC}$ or GND	$I_{CC}$ or $I_{GND}$	$\pm 25$	mA	
Maximum power dissipation $P_T$ at $T_a = 25^\circ\text{C}$ (in still air) <sup>*3</sup>		200	mW	
Storage temperature	$T_{stg}$	-65 to 150	$^\circ\text{C}$	

Notes: The absolute maximum ratings are values which must not individually be exceeded, and furthermore, no two of which may be realized at the same time.

1. The input and output voltage ratings may be exceeded if the input and output clamp-current ratings are observed.
2. This value is limited to 5.5 V maximum.
3. The maximum package power dissipation was calculated using a junction temperature of  $150^\circ\text{C}$ .

## Recommended Operating Conditions

Item	Symbol	Min	Max	Unit	Test Conditions
Supply voltage range	$V_{CC}$	4.5	5.5	V	
Input voltage range	$V_I$	0	5.5	V	
Output voltage range	$V_O$	0	$V_{CC}$	V	
Output current	$I_{OL}$	—	2	mA	$V_{CC} = 4.5$ to $5.5$ V
	$I_{OH}$	—	-2		$V_{CC} = 4.5$ to $5.5$ V
Input rise / fall time (0.3 V to 2.7 V)	$t_r, t_f$	0	500	ns	$V_{CC} = 4.5$ to $5.5$ V
Operating temperature	$T_a$	-40	85	$^\circ\text{C}$	

Note: Unused or floating inputs must be held high or low.

## Electrical Characteristics

Item	Symbol	V <sub>CC</sub> (V)	T <sub>a</sub> = 25°C			T <sub>a</sub> = -40 to 85°C		Unit	Test Conditions
			Min	Typ	Max	Min	Max		
Input voltage	V <sub>IH</sub>	4.5 to 5.5	2.0	—	—	2.0	—	V	
	V <sub>IL</sub>	4.5 to 5.5	—	—	0.8	—	0.8		
Output voltage	V <sub>OH</sub>	4.5	4.4	4.5	—	4.4	—	V	V <sub>IN</sub> = I <sub>OH</sub> = -20 μA
		4.5	4.18	4.31	—	4.13	—		V <sub>IH</sub> or V <sub>IL</sub> I <sub>OH</sub> = -2 mA
	V <sub>OL</sub>	4.5	—	0.0	0.1	—	0.1		I <sub>OL</sub> = 20 μA
		4.5	—	0.17	0.26	—	0.33		I <sub>OL</sub> = 2 mA
Input current	I <sub>IN</sub>	5.5	—	—	±0.1	—	±1.0	μA	V <sub>IN</sub> = V <sub>CC</sub> or GND
Operating current	I <sub>CC</sub>	5.5	—	—	1.0	—	10.0	μA	V <sub>IN</sub> = V <sub>CC</sub> or GND
Quiescent supply current	I <sub>CCCT</sub>	5.5	—	—	2.0	—	2.9	mA	One input V <sub>IN</sub> = 2.4 V, other input V <sub>CC</sub> or GND

**Switching Characteristics**

Item	Symbol	$T_a = 25^\circ\text{C}$			Unit	Test Conditions
		Min	Typ	Max		
Output rise / fall time	$t_{TLH}$	—	4	10	ns	Test circuit
	$t_{THL}$	—	4	10		
Propagation delay time	$t_{PLH}$	—	9.9	14	ns	Test circuit
	$t_{PHL}$	—	12.9	19		

( $C_L = 15 \text{ pF}$ ,  $t_r = t_f = 6 \text{ ns}$ ,  $V_{CC} = 5 \text{ V}$ )

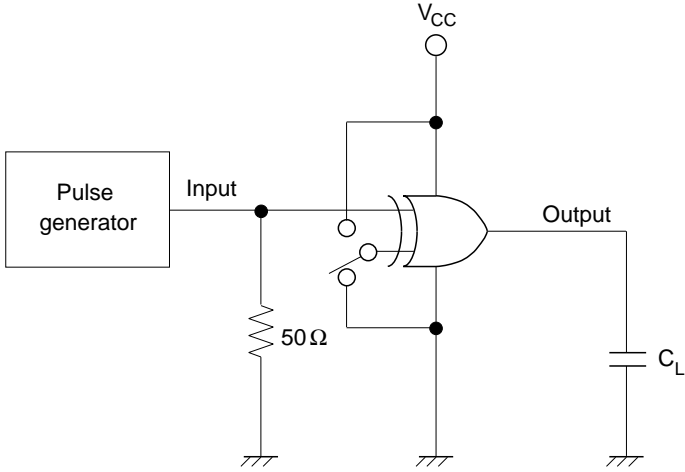
Item	Symbol	$V_{CC}$	$T_a = 25^\circ\text{C}$			$T_a = -40 \text{ to } 85^\circ\text{C}$		Unit	Test Conditions
			Min	Typ	Max	Min	Max		
Output rise / fall time	$t_{TLH}$	4.5	—	14	25	—	31	ns	Test circuit
	$t_{THL}$	4.5	—	14	25	—	31		
Propagation delay time	$t_{PLH}$	4.5	—	10.1	18	—	22	ns	Test circuit
	$t_{PHL}$	4.5	—	16.0	29	—	33		
Input capacitance	$C_{IN}$	—	—	2.5	5	—	5	pF	
Equivalent capacitance	$C_{PD}$	—	—	10	—	—	—	pF	

( $C_L = 50 \text{ pF}$ ,  $t_r = t_f = 6 \text{ ns}$ )

Note:  $C_{PD}$  is equivalent capacitance inside of the IC calculated from the operating current without load (see test circuit). The average operating current without load is calculated according to the expression below.

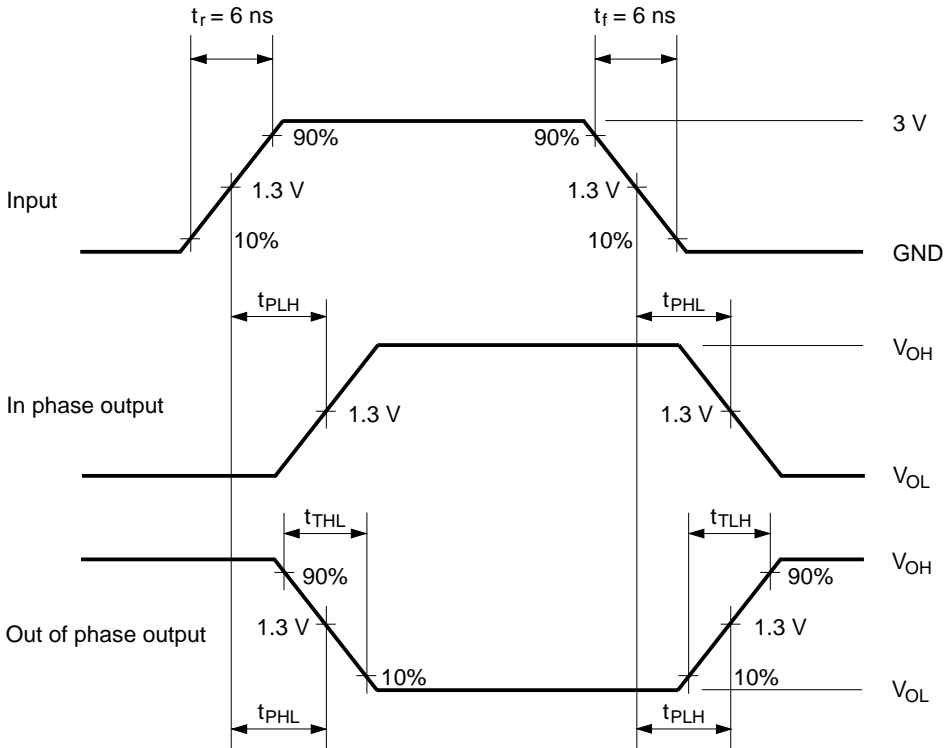
$$I_{CC}(\text{opr}) = C_{PD} \cdot V_{CC} \cdot f_{IN} + I_{CC}$$

## Test Circuit



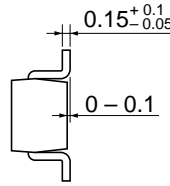
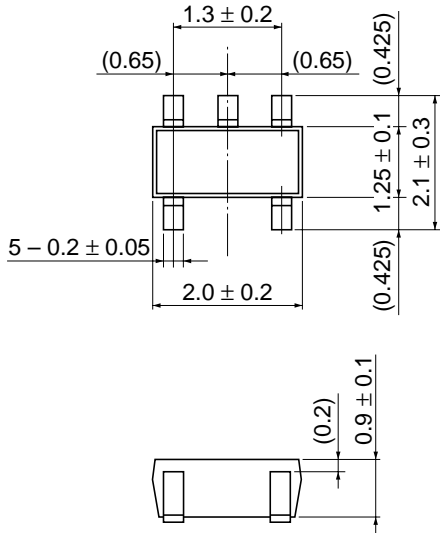
Note: 1.  $C_L$  includes probe and jig capacitance.

### • Waveforms



Package Dimensions

As of January, 2001  
Unit: mm



Hitachi Code	CMPAK-5
JEDEC	—
EIAJ	Conforms
Mass (reference value)	0.006 g

## Cautions

1. Hitachi neither warrants nor grants licenses of any rights of Hitachi's or any third party's patent, copyright, trademark, or other intellectual property rights for information contained in this document. Hitachi bears no responsibility for problems that may arise with third party's rights, including intellectual property rights, in connection with use of the information contained in this document.
2. Products and product specifications may be subject to change without notice. Confirm that you have received the latest product standards or specifications before final design, purchase or use.
3. Hitachi makes every attempt to ensure that its products are of high quality and reliability. However, contact Hitachi's sales office before using the product in an application that demands especially high quality and reliability or where its failure or malfunction may directly threaten human life or cause risk of bodily injury, such as aerospace, aeronautics, nuclear power, combustion control, transportation, traffic, safety equipment or medical equipment for life support.
4. Design your application so that the product is used within the ranges guaranteed by Hitachi particularly for maximum rating, operating supply voltage range, heat radiation characteristics, installation conditions and other characteristics. Hitachi bears no responsibility for failure or damage when used beyond the guaranteed ranges. Even within the guaranteed ranges, consider normally foreseeable failure rates or failure modes in semiconductor devices and employ systemic measures such as fail-safes, so that the equipment incorporating Hitachi product does not cause bodily injury, fire or other consequential damage due to operation of the Hitachi product.
5. This product is not designed to be radiation resistant.
6. No one is permitted to reproduce or duplicate, in any form, the whole or part of this document without written approval from Hitachi.
7. Contact Hitachi's sales office for any questions regarding this document or Hitachi semiconductor products.

# HITACHI

## Hitachi, Ltd.

Semiconductor & Integrated Circuits.  
Nippon Bldg., 2-6-2, Ohte-machi, Chiyoda-ku, Tokyo 100-0004, Japan  
Tel: Tokyo (03) 3270-2111 Fax: (03) 3270-5109

URL       NorthAmerica       : <http://semiconductor.hitachi.com/>  
          Europe               : <http://www.hitachi-eu.com/hel/ecg>  
          Asia                 : <http://sicapac.hitachi-asia.com>  
          Japan                : <http://www.hitachi.co.jp/Sicd/indx.htm>

## For further information write to:

Hitachi Semiconductor (America) Inc.  
179 East Tasman Drive,  
San Jose, CA 95134  
Tel: <1> (408) 433-1990  
Fax: <1> (408) 433-0223

Hitachi Europe Ltd.  
Electronic Components Group.  
Whitebrook Park  
Lower Cookham Road  
Maidenhead  
Berkshire SL6 8YA, United Kingdom  
Tel: <44> (1628) 585000  
Fax: <44> (1628) 585200

Hitachi Europe GmbH  
Electronic Components Group  
Dornacher Straße 3  
D-85622 Feldkirchen, Munich  
Germany  
Tel: <49> (89) 9 9180-0  
Fax: <49> (89) 9 29 30 00

Hitachi Asia Ltd.  
Hitachi Tower  
16 Collyer Quay #20-00,  
Singapore 049318  
Tel: <65>-538-6533/538-8577  
Fax: <65>-538-6933/538-3877  
URL: <http://www.hitachi.com.sg>

Hitachi Asia Ltd.  
(Taipei Branch Office)  
4/F, No. 167, Tun Hwa North Road,  
Hung-Kuo Building,  
Taipei (105), Taiwan  
Tel: <886>-(2)-2718-3666  
Fax: <886>-(2)-2718-8180  
Telex: 23222 HAS-TP  
URL: <http://www.hitachi.com.tw>

Hitachi Asia (Hong Kong) Ltd.  
Group III (Electronic Components)  
7/F., North Tower,  
World Finance Centre,  
Harbour City, Canton Road  
Tsim Sha Tsui, Kowloon,  
Hong Kong  
Tel: <852>-(2)-735-9218  
Fax: <852>-(2)-730-0281  
URL: <http://semiconductor.hitachi.com.hk>

Copyright © Hitachi, Ltd., 2001. All rights reserved. Printed in Japan.

Colophon 3.0