

JHD402A SERIES

CHARACTERISTICS

DISPLAY CONTENT : 40 CHAR x 2ROW

CHAR. DOTS : 5 x 8

DRIVING MODE : 1/16D

AVAILABLE TYPES :

TN , STN(YELLOW GREEN, GREY, B/W)

REFLECTIVE, WITH EL OR LED BACKLIGHT

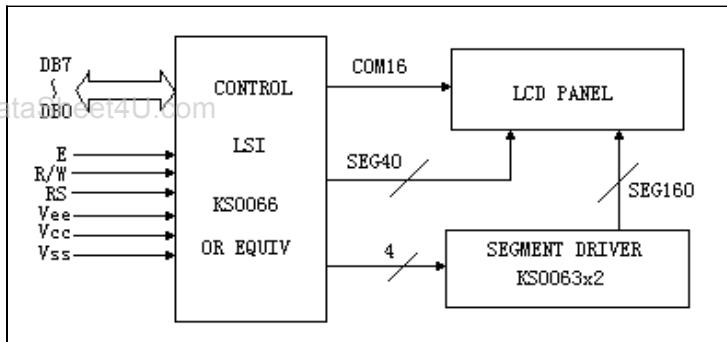
EL/100VAC , 400HZ

LED/4.2VDC

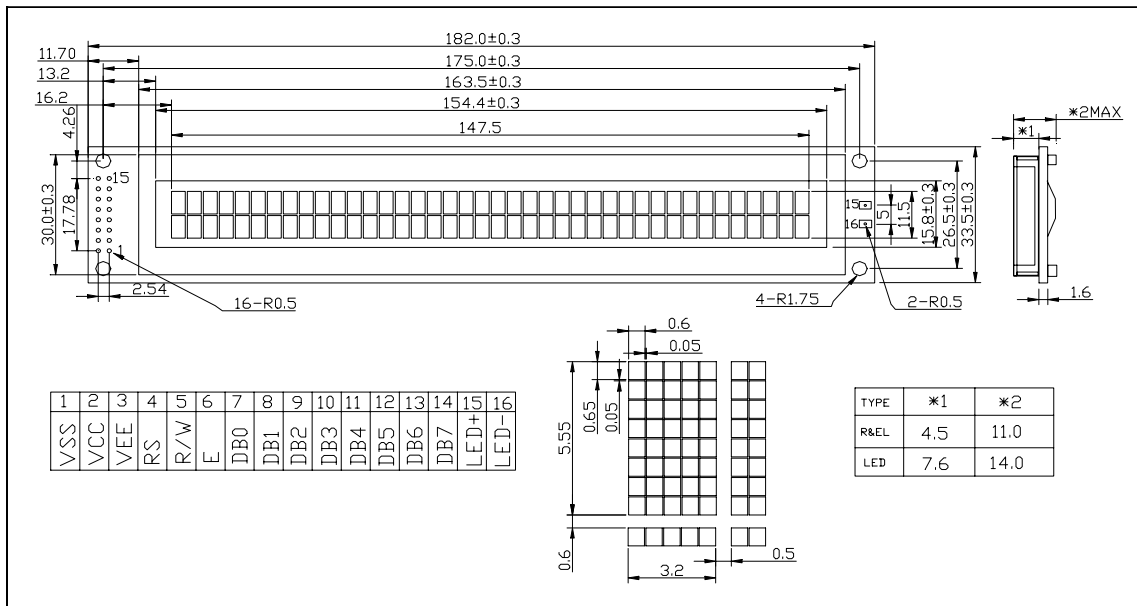
PARAMETER (VDD=5.0V ± 10%,VSS=0V,Ta=25)

Parameter	Symbol	Testing Criteria	Standard Values			Unit
			Min.	Typ.	Max	
Supply voltage	VDD-VSS	-	4.5	5.0	5.5	V
Input high voltage	VIH	-	2.2	-	VDD	V
Input low voltage	VIL	-	-0.3	-	0.6	V
Output high voltage	VOH	-IOH=02mA	2.4	-	-	V
Output low voltage	VOL	IOL=1.2mA	-	-	0.4	V
Operating current	IDD	VDD=5.0V	-	2.0	5.0	mA

APPLICATION CIRCUIT



DIMENSIONS/DISPLAY CONTENT



PIN CONFIGURATION

1	2	3	4	5	6	7	8	9	10	11	12	13	14	15	16
VSS	VCC	VEE	RS	R/W	E	DB0	DB1	DB2	DB3	DB4	DB5	DB6	DB7	LED+	LED-