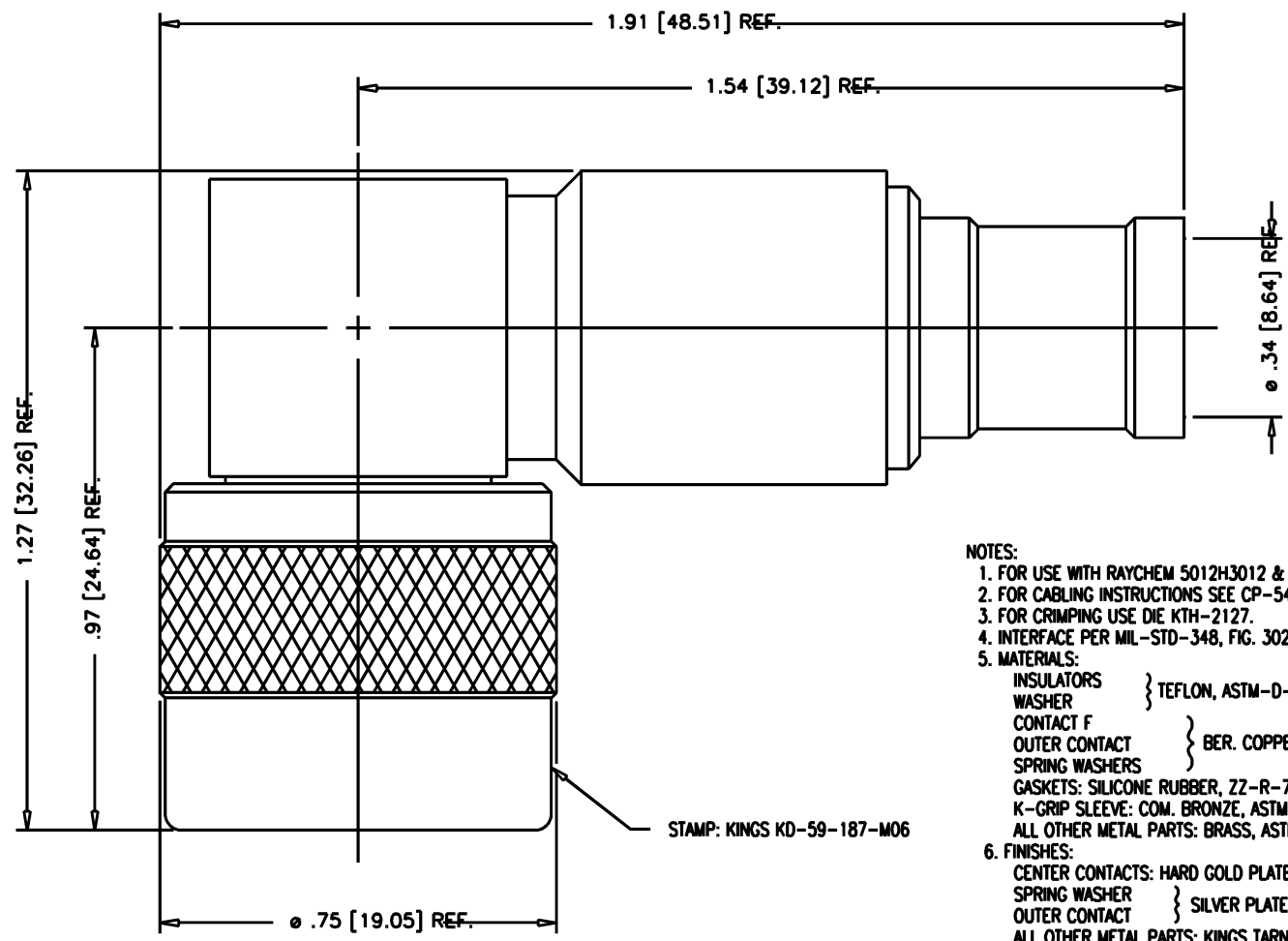


DASH NO.	M CODE	MADE FROM
----------	--------	-----------

GSD

KD-59-187 M06

REVISIONS	
ISSUE	CHANGES
2	CN 36978 C REDRAWN KH 05/17/96
3	CN 39497 E JPK 06/16/06



- NOTES:
- FOR USE WITH RAYCHEM 5012H3012 & ITT BA 20048 CABLE.
 - FOR CABLING INSTRUCTIONS SEE CP-5402.
 - FOR CRIMPING USE DIE KTH-2127.
 - INTERFACE PER MIL-STD-348, FIG. 302-1.
 - MATERIALS:
 - INSULATORS } TEFLON, ASTM-D-4894
 - WASHER } }
 - CONTACT F } BER. COPPER, ASTM-B-196
 - OUTER CONTACT } }
 - SPRING WASHERS } }
 - GASKETS: SILICONE RUBBER, ZZ-R-765
 - K-GRIP SLEEVE: COM. BRONZE, ASTM-B-135
 - ALL OTHER METAL PARTS: BRASS, ASTM-B16
 - FINISHES:
 - CENTER CONTACTS: HARD GOLD PLATE, PER MIL-G-45204
 - SPRING WASHER } SILVER PLATE PER QQ-S-365
 - OUTER CONTACT } }
 - ALL OTHER METAL PARTS: KINGS TARNISH RESISTANT NICKEL FINISH (TR-5)
 - ELECTRICAL CHARACTERISTICS:
 - NOMINAL IMPEDANCE: 50 OHMS
 - WORKING VOLTAGE: 1000 VRMS
 - FREQUENCY RANGE: DC TO 11 GHz.

KD-59-187 M06 SD

SCALE 4 : 1

APPROX SURFACE AREA N/A

USED ON

REF: BOEING

PL, ANG, C

DRAWN KH DATE 05/17/06

DESIGN CT DATE 05/20/96

APPR. DATE

KINGS
ELECTRONICS CO., INC.
ROCK HILL, SOUTH CAROLINA 29730

KD-59-187 M06

GSD