

# Aluminum Electrolytic Capacitors

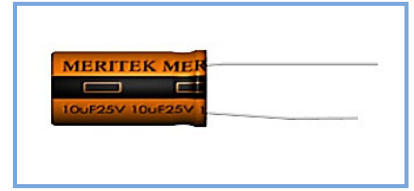


LL Series  
(Low Leakage Current)

MERITEK

## FEATURES

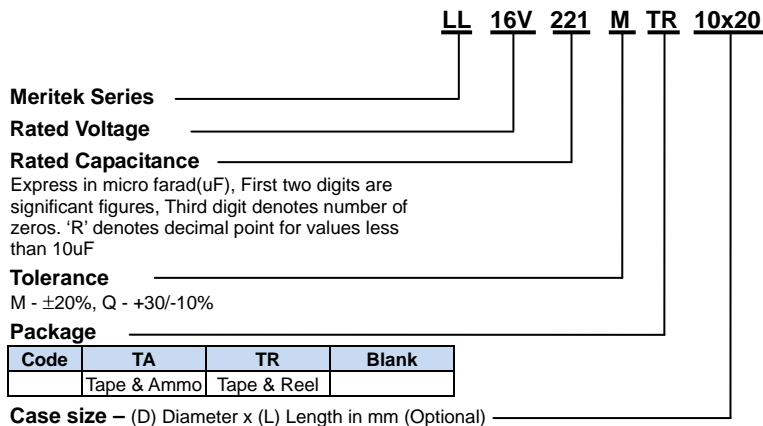
- Standard low leakage current series
- Suitable for Hi-Fi pre-amplifiers and TV oscillation loop circuits.



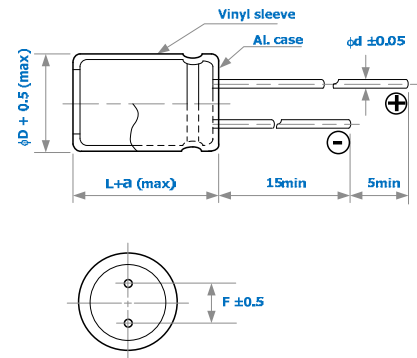
## SPECIFICATIONS

Item	Characteristic							
Operating Temp Range	- 40 ~ +85°C							
Rated Working Voltage	10 ~ 63VDC							
Capacitance Tolerance (120Hz 20°C)	± 20%(M) +30%/-10% (Q)							
Leakage Current (20°C)	I ≤ 0.004CV or 0.4 (μA) * Under 1kΩ resistor series and rated voltage applied Whichever is greater after 1 minute				I : Leakage Current (μA) C : Rated Capacitance(μF) V : Working Voltage (V)			
Surge Voltage (20°C)	W.V.	10	16	25	35	50	63	
	S.V.	13	20	32	44	63	79	
Dissipation Factor ( tan δ ) (120Hz 20°C)	W.V.	10	16	25	35	50	63	
	tan δ	0.20	0.16	0.14	0.12	0.10	0.10	
Low Temperature Stability	Impedance ratio at 120Hz							
	Rated Voltage (V)	10	16	25	35	50	63	
	-25°C / +20°C	4	4	4	4	4	4	
	-40°C / +20°C	8	8	8	8	8	8	
Load Life	After 2000 hours application of W.V. and +85°C ripple current value , the capacitor shall meet the following limits. ( DC + ripple peak voltage ≤ rated working voltage )							
	Capacitance Change	≤ ±15% of initial.						
	Dissipation Factor	≤ 150% of initial specified value						
	Leakage Current	≤ initial specified value						
Shelf Life	At +85°C no voltage application after 1000 hours the capacitor shall meet the limits for load life characteristics. ( with voltage treatment )							

## PART NUMBER SYSTEM



## DIMENSIONS (mm)



φD	5	6.3	8	10	12.5
F	2.0	2.5	3.5	5.0	5.0
d	0.5	0.5	0.6	0.6	0.6
a	1.5	1.5	1.5	1.5	1.5

# Aluminum Electrolytic Capacitors



LL Series  
(Low Leakage Current)

MERITEK

## CASE SIZE & MAX RIPPLE CURRENT

Case size : DxL (mm)  
Max. ripple current : mA(rms) 85°C 120Hz

Cap. (uF)	V Item	10		16		25	
		DxL	R.C.	DxL	R.C.	DxL	R.C.
4.7					→	5x11	36
10			→	5x11	48	6.3x11	60
22	5x11		65	6.3x11	80	8x11.5	100
33	6.3x11		90	6.3x11	100	8x11.5	130
47	6.3x11		110	8x11.5	140	10x12.5	160
100	8x11.5		180	10x12.5	210	10x16	250
220	10x16		310	10x20	390	12.5x20	410
330	10x20		420	12.5x20	470	12.5x25	560
470	12.5x20		500	12.5x20	560		
1000	12.5x25		810				

Cap. (uF)	V Item	35		50		63	
		DxL	R.C.	DxL	R.C.	DxL	R.C.
0.1			→	5x11	6	5x11	6
0.22			→	5x11	9	5x11	9
0.33			→	5x11	11	5x11	11
0.47			→	5x11	13	5x11	13
1			→	5x11	19	5x11	19
2.2			→	5x11	29	5x11	29
3.3			→	5x11	35	5x11	35
4.7	5x11		38	6.3x11	48	6.3x11	48
10	6.3x11		65	8x11.5	80	8x11.5	80
22	8x11.5		110	10x12.5	130	10x16	140
33	10x12.5		140	10x16	170	10x16	170
47	10x12.5		170	10x16	210	10x20	230
100	10x20		300	12.5x20	330	12.5x25	360
220	12.5x25		490				

All blank voltage on sleeve marking is the same voltage as “→” point to.