

Customer Information Sheet

DRAWING No.: M20-877XXXXR

SHEET 3 OF 4

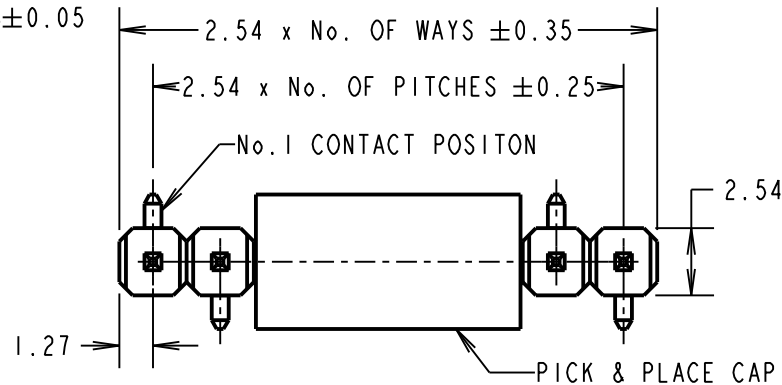
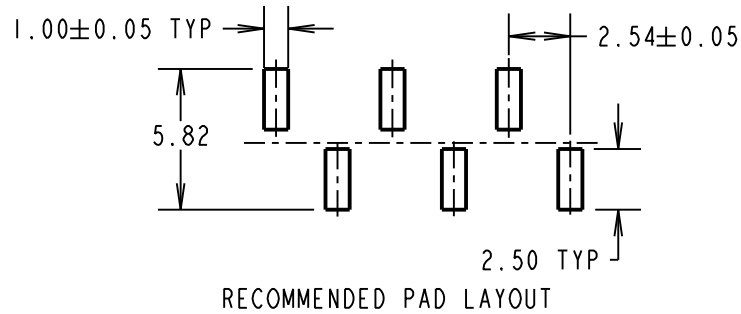
IF IN DOUBT - ASK

©

NOT TO SCALE

THIRD ANGLE PROJECTION

ALL DIMENSIONS IN mm



ORDER CODE:

M20-877XXXXR

No. OF WAYS: _____
02, 03, 04, 06, 08, 10, 15, 19
28

FINISH: _____
42 = SELECTIVE GOLD + 100% TIN
46 = 100% TIN

NOTES:

1. SEE DRAWING M20-877XXXXP FOR PICK AND PLACE VERSION, M20-877XXXX FOR STANDARD PRODUCT.
2. FOR 4 WAYS AND LESS, CAP LENGTH = 6.00mm.
3. FOR COMPLETE SPECIFICATION SEE COMPONENT SPECIFICATION COO1XX (LATEST ISSUE).
4. FOR REELING DETAILS SEE SHEET 4.

SPECIFICATION:

MATERIAL:
MOULDING = NYLON 6T UL94V-0, BLACK
CONTACT = BRASS

FINISH:
42 = SELECTIVE GOLD ON CONTACT AREA,
100% TIN ON TAILS
46 = 100% TIN

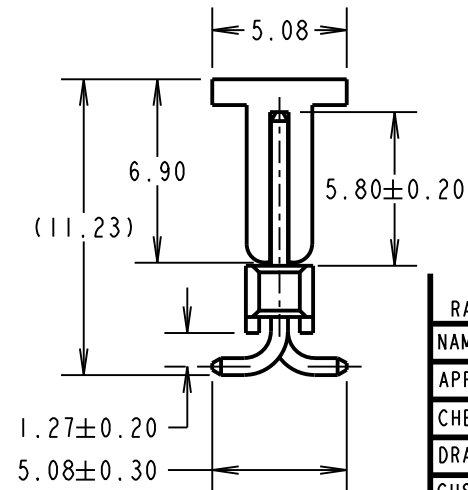
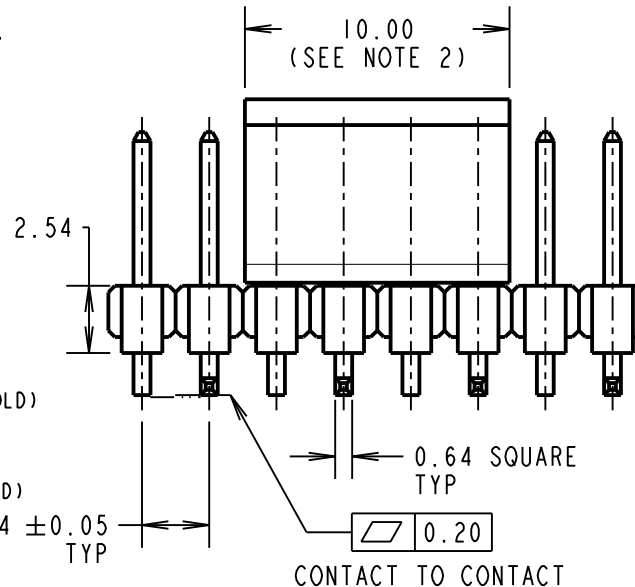
ELECTRICAL:
CURRENT RATING = 3A MAX
CONTACT RESISTANCE = 30 mΩ MAX (TIN), 25 mΩ MAX (GOLD)
INSULATION RESISTANCE = 1,000 MΩ MIN
DIELECTRIC STRENGTH = 750V AC/DC

MECHANICAL:
DURABILITY = 50 OPERATIONS (TIN), 300 OPERATIONS (GOLD)

ENVIRONMENTAL:
TEMPERATURE RANGE = -40°C TO +105°C

PACKING:
BAG

FOR COMPLETE SPECIFICATION, SEE COMPONENT SPECIFICATION COO1XX (LATEST ISSUE)



RA	16	11.10.10	10970
NAME	ISS.	DATE	C/NOTE
APPROVED:		R. ADDE	
CHECKED:		M.G. PLESTED	
DRAWN:		J. KEIR	
CUSTOMER REF.:			
ASSEMBLY DRG:			

HARWIN

HARWIN USA TEL: 603 893 5376 FAX: 603 893 5396 mis@harwin.com	HARWIN Europe (UK) TEL: 023 9231 4545 FAX: 023 9231 4590 mis@harwin.co.uk	HARWIN Asia TEL: +65 6 779 4909 FAX: +65 6 779 3868 mis@harwin.com.sg
--	--	--

THIS DRAWING AND ANY INFORMATION OR DESCRIPTIVE MATTER SET OUT HEREON ARE CONFIDENTIAL AND COPYRIGHT PROPERTY OF THE HARWIN GROUP AND MUST NOT BE DISCLOSED, LOANED, COPIED OR USED FOR MANUFACTURING, TENDERING OR FOR ANY OTHER PURPOSE WITHOUT THEIR WRITTEN PERMISSION.

TOLERANCES
X. = ±1mm
X.X = ±0.25mm
X.XX = ±0.10mm
X.XXX = ±0.01mm

ANGLES = ±5°
UNLESS STATED

MATERIAL:
SEE ABOVE

FINISH: SEE ABOVE

S/AREA: mm²

TITLE: 2.54mm PITCH SIL SMT VERTICAL PIN HEADER WITH P/PLACE, TAPE & REEL (L/HAND)

DRAWING NUMBER: M20-877XXXXR

SHT 3 OF 4

Customer Information Sheet

DRAWING No.: M20-877XXXXR

SHEET 4 OF 4

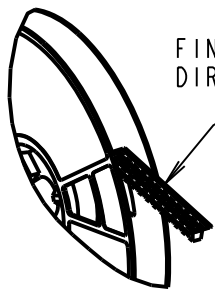
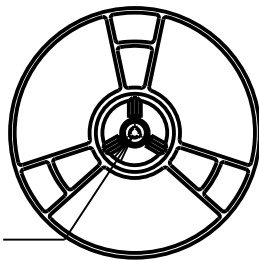
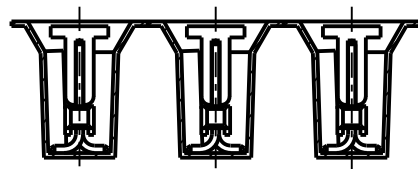
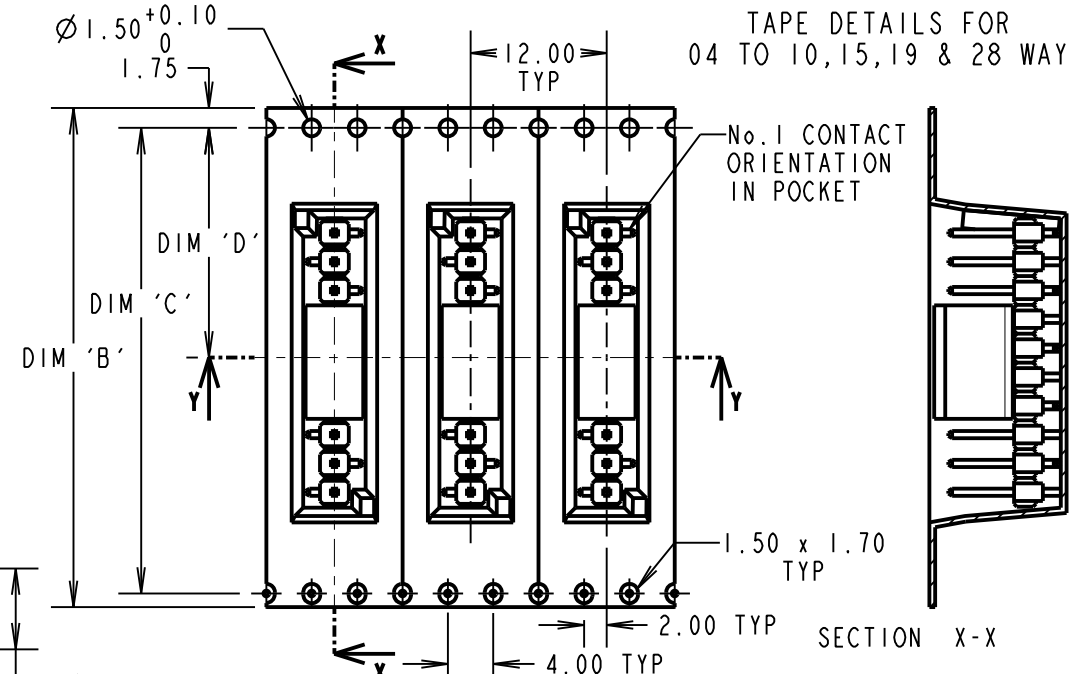
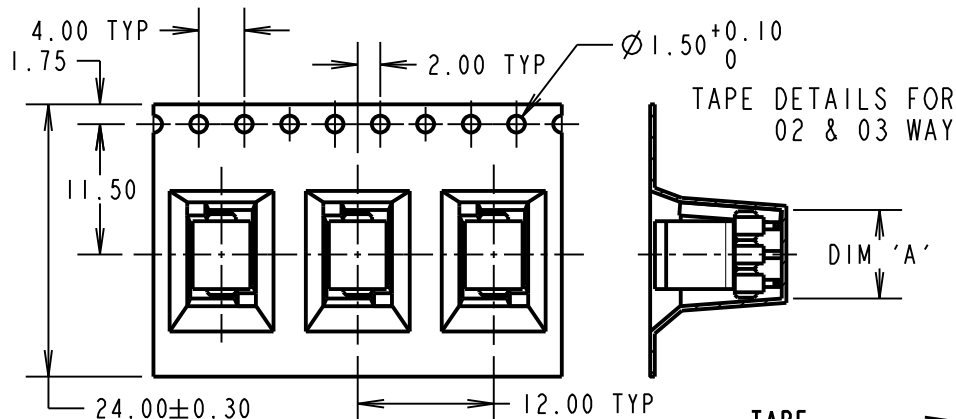
IF IN DOUBT - ASK

©

NOT TO SCALE

THIRD ANGLE PROJECTION

ALL DIMENSIONS IN mm



HARWIN PART No.	DIM 'A'	DIM 'B' ±0.30	DIM 'C'	DIM 'D'
M20-87702XXR	5.80	X	X	X
M20-87703XXR	7.80	X	X	X
M20-87704XXR	X	32.00	28.40	14.20
M20-87706XXR	X	32.00	28.40	14.20
M20-87708XXR	X	44.00	40.40	20.20±0.15
M20-87710XXR	X	44.00	40.40	20.20±0.15
M20-87715XXR	X	56.00	52.40	26.20±0.15
M20-87719XXR	X	72.00	68.40	34.20±0.30
M20-87728XXR	X	88.00	84.40	42.20±0.30

- NOTES:
1. QUANTITY PER REEL: 02 TO 19 = 450 PIECES, 28 WAY = 300 PIECES.
 2. FOR CONNECTER DIMENSIONS, SEE SHEET 3.
 3. TAPE & REELING TO BE IN ACCORDANCE WITH ELECTRONIC INDUSTRIES ASSOCIATION EIA-481.

RA	16	11.10.10	10970
NAME	ISS.	DATE	C/NOTE
APPROVED:		R.ADDE	
CHECKED:		M.G.PLESTED	
DRAWN:		J. KEIR	
CUSTOMER REF.:			
ASSEMBLY DRG:			

HARWIN

HARWIN USA
TEL: 603 893 5376
FAX: 603 893 5396
mis@harwin.com

HARWIN Europe (UK)
TEL: 023 9231 4545
FAX: 023 9231 4590
mis@harwin.co.uk

HARWIN Asia
TEL: +65 6 779 4909
FAX: +65 6 779 3868
mis@harwin.com.sg

THIS DRAWING AND ANY INFORMATION OR DESCRIPTIVE MATTER SET OUT HEREON ARE CONFIDENTIAL AND COPYRIGHT PROPERTY OF THE HARWIN GROUP AND MUST NOT BE DISCLOSED, LOANED, COPIED OR USED FOR MANUFACTURING, TENDERING OR FOR ANY OTHER PURPOSE WITHOUT THEIR WRITTEN PERMISSION.

TOLERANCES
X. = ±1mm
X.X = ±0.25mm
X.XX = ±0.10mm
X.XXX = ±0.01mm

ANGLES = ±5°
UNLESS STATED

MATERIAL:
SEE ABOVE

FINISH:
SEE ABOVE

S/AREA:
mm²

TITLE: 2.54mm PITCH SIL SMT VERTICAL PIN HEADER WITH P/PLACE, TAPE & REEL (L/HAND)

DRAWING NUMBER:
M20-877XXXXR

SHT 4 OF 4