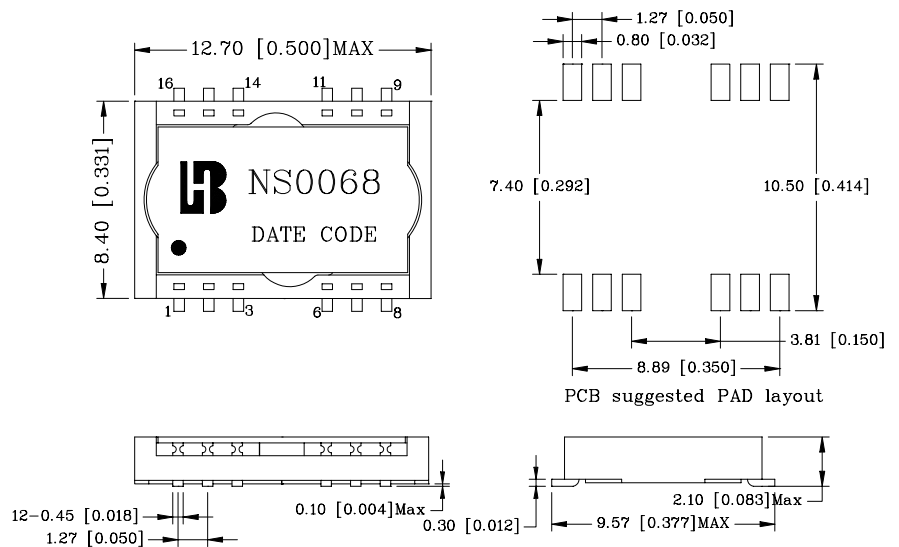
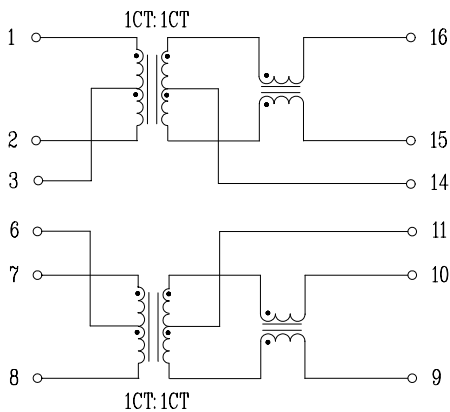


**P/N: NS0068 DATA SHEET****Feature**

- Half port and single port designs for maximum layout flexibility.
- Greater than 350 uH(100kHz) at DC current Bias 8mA.
- Operating temperature range: 0 to +70 .
- Storage temperature range: -25 to +125 .

Electrical Specifications @ 25°C

Part Number	Turns Ratio (±3%)		OCL (uH Min) @ 100kHz/0.1V with 8mA DC Bias	C _{WW} (pF Max)	Insertion Loss (dB Max) 0.1-125MHz	HI-POT (Vrms)
	RX	TX				
NS0068	1CT:1CT	1CT:1CT	16-15 / 10-9	25	-1.0	1500

Schematic**Mechanical**

Units: mm[Inches] Tolerances: xx.x0±0.25[0.010]

0.xx±0.05[0.002]