



Precision 7mm Sexless to BNC Female Adapter

TECHNICAL DATA SHEET

PE9220

Precision 7mm Sexless to BNC Female Adapter

Configuration

Connector 1	7mm Sexless
Impedance 1	50 Ohms
Connector 2	BNC Female
Impedance 2	50 Ohms
Adapter Design	Precision
Body Style	Straight

Electrical Specifications

Frequency Range, GHz	DC to 8
Maximum VSWR	1.15:1

Frequency 1

Frequency, GHz	DC to 4
VSWR	1.1:1

Frequency 2

Frequency, GHz	4 to 8
VSWR	1.15:1

Mechanical Specifications

Size

Length, in [mm]	1.555 [39.5]
Width/Dia., in [mm]	0.87 [22.1]

Connector 1

Type	7mm Sexless
Inner Conductor Material and Plating	Beryllium Copper, Gold
Outer Conductor Material and Plating	Beryllium Copper, Gold
Coupling Nut Material and Plating	Passivated Stainless Steel
Body Material and Plating	Passivated Stainless Steel

Connector 2

Type	BNC Female
Inner Conductor Material and Plating	Beryllium Copper, Gold
Body Material and Plating	Brass, Nickel

Compliance Certifications (visit www.Pasternack.com for current document)

RoHS Compliant	Yes
----------------	-----

Click the following link (or enter part number in "SEARCH" on website) to obtain additional part information including price, inventory and certifications: [Precision 7mm Sexless to BNC Female Adapter PE9220](#)

The information contained in this document is accurate to the best of our knowledge and representative of the part described herein. It may be necessary to make modifications to the part and/or the documentation of the part, in order to implement improvements. Pasternack reserves the right to make such changes as required. Unless otherwise stated, all specifications are nominal.



Precision 7mm Sexless to BNC Female Adapter



TECHNICAL DATA SHEET

PE9220

Plotted and Other Data

Notes:

Values at 25 °C, sea level

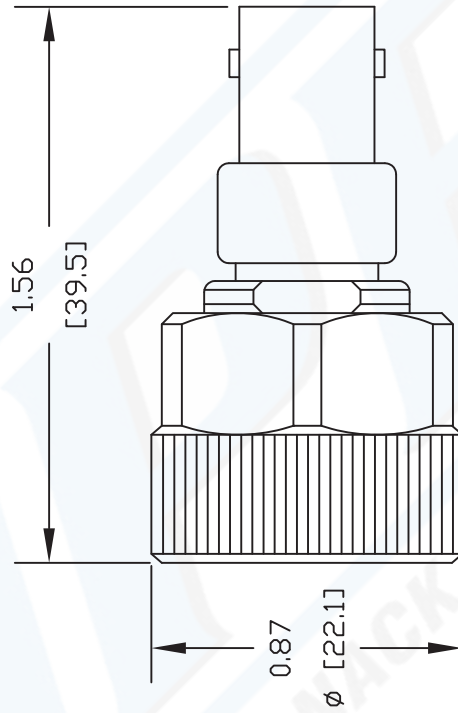
URL: <http://www.pasternack.com/7mm-sexless-bnc-female-straight-adapter-pe9220-p.aspx>

Precision 7mm Sexless to BNC Female Adapter from Pasternack Enterprises has same day shipment for domestic and International orders. Our RF, microwave and fiber optic products maintain a 99% availability and are part of the broadest selection in the industry.

The information contained in this document is accurate to the best of our knowledge and representative of the part described herein. It may be necessary to make modifications to the part and/or the documentation of the part, in order to implement improvements. Pasternack reserves the right to make such changes as required. Unless otherwise stated, all specifications are nominal.

PE9220 CAD Drawing

Precision 7mm Sexless to BNC Female Adapter



NOTES:
 1. UNLESS OTHERWISE SPECIFIED ALL DIMENSIONS ARE NOMINAL.
 2. ALL SPECIFICATIONS ARE SUBJECT TO CHANGE WITHOUT NOTICE AT ANY TIME.
 3. DIMENSIONS ARE IN INCHES [mm].

DWG TITLE
PE9220

127

SIZE A

SCALE N/A

CAD FILE 101602

FSCM NO. 53919

REV. -

PE PASTERNAK®
 Pasternack Enterprises, Inc.
 P.O. Box 16759 | Irvine | CA | 92623
Phone: (949) 261-1920 | **Fax:** (949) 261-7451
Website: www.pasternack.com | **E-Mail:** sales@pasternack.com