

THE INFORMATION CONTAINED HEREIN IS CONSIDERED "PROPRIETARY" TO BEL FUSE INC. AND SHALL NOT BE COPIED, REPRODUCED OR DISCLOSED WITHOUT THE WRITTEN APPROVAL OF BEL FUSE INC.

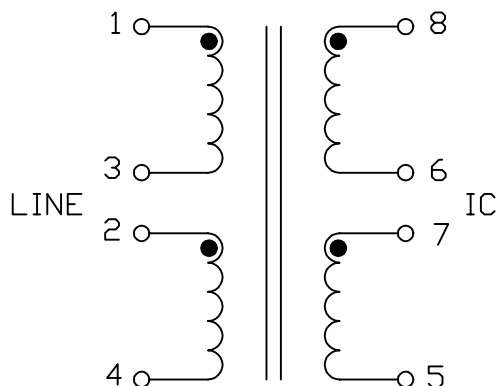
PRELIMINARY

ELECTRICAL CHARACTERISTICS (@25°C)

NOMINAL TURNS RATIO:
 (8-5) : (1-4) 1 : 1.41
 CONNECT TERMINALS 2 TO 3 & 6 TO 7

DC RESISTANCE:
 (1-4) 2.10 Ω MAX
 (8-5) 1.65 Ω MAX
 CONNECT TERMINALS 2 TO 3 & 6 TO 7

SCHEMATIC



INDUCTANCE @ 10 kHz, 0.1 Vrms:
 (1-4) 470 μH ±5%
 CONNECT TERMINALS 2 TO 3

LEAKAGE INDUCTANCE:
 (1-4) 5 μH MAX
 CONNECT TERMINALS 2 TO 3 & 6 TO 7
 SHORT TERMINALS 5, 6, 7, & 8

DIRECT CAPACITANCE:
 BETWEEN (1-4) & (8-5) 65 pF MAX
 CONNECT TERMINALS 2 TO 3 & 6 TO 7

TOTAL HARMONIC DISTORTION -85 dB MAX
 12 Vpp, 100kHz, 100Ω LINE AND 50.3 Ω LOAD.

MINIMUM DIELECTRIC RATING:
 BETWEEN (1-4) & (8-5) 1500 Vrms
 CONNECT TERMINALS 2 TO 3 & 6 TO 7

DESIGNED TO COMPLY WITH UL1950 AND EN60950
 SUPPLEMENTARY INSULATION WITH 250 VAC WORKING VOLTAGE.

OPERATING TEMPERATURE RANGE: -40°C TO +85°C

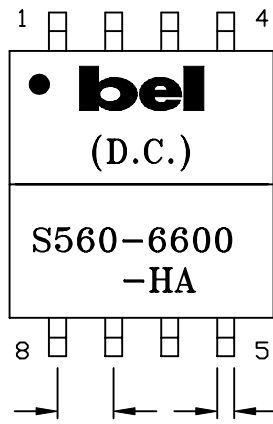
LONGITUDINAL BALANCE: 50 dB
 20kHz - 1.1 MHz

DRWN R. HARRIS	DATE 03-14-2002	TITLE ELECTRICAL SPECIFICATIONS	PART NO. / DRAWING NO. S560-6600-HA	STANDARD DIMENSION		[] METRIC DIM. AS REFERENCE		REV. : PB	PAGE : 2
				TOLERANCE IN INCH	UNIT : INCH [mm]	SCALE : N/A	SIZE : A4		
CHKD H.D. NGUYEN	DATE 03-14-2002		FILE NAME S5606600HAPB	.X	/	/	/	/	/
			.XX						
			.XXX						

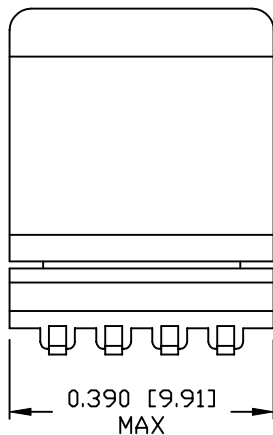


THE INFORMATION CONTAINED HEREIN IS CONSIDERED "PROPRIETARY" TO BEL FUSE INC. AND SHALL NOT BE COPIED, REPRODUCED OR DISCLOSED WITHOUT THE WRITTEN APPROVAL OF BEL FUSE INC.

PRELIMINARY

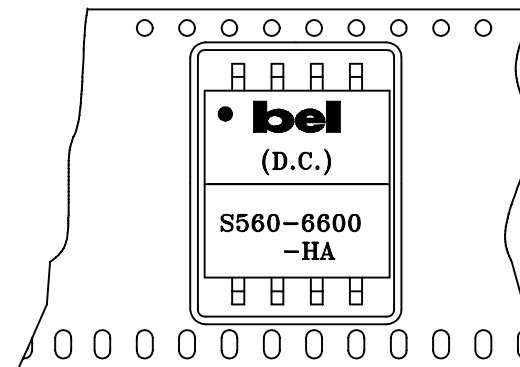
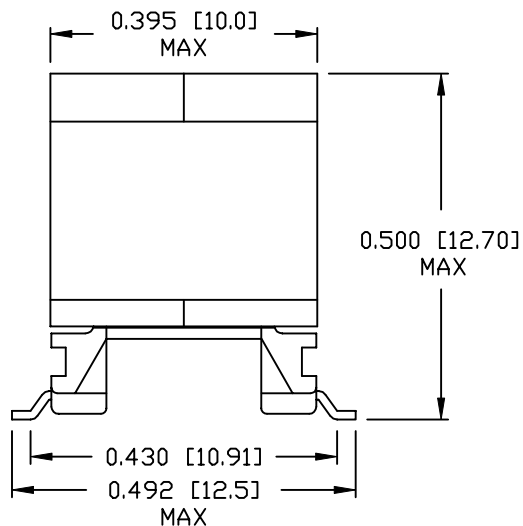
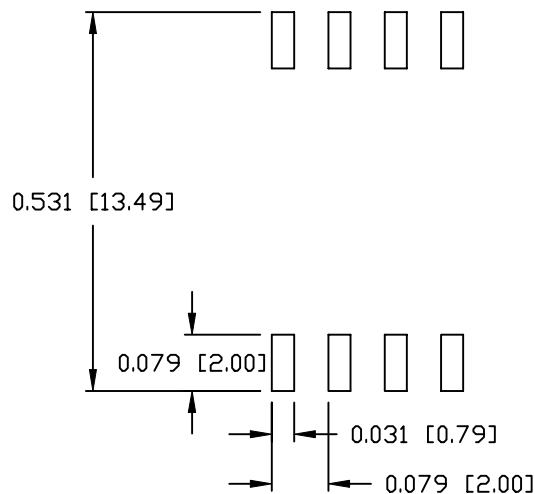


0.079 [2.00] 0.024 [0.61]



0.390 [9.91] MAX

SUGGESTED PAD LAYOUT



USER FEED DIRECTION

ORIENTATION OF COMPONENT INSIDE POCKET

TAPE WIDTH	24MM
POCKET PITCH	20MM
QUANTITY OF COMPONENTS PER REEL	200
PLASTIC REEL OUTER DIAMETER	13 INCHES
PLASTIC REEL HUB DIAMETER	4 INCHES

DRWN	DATE
R. HARRIS	03-14-2002
CHKD	DATE
H.D. NGUYEN	03-14-2002

TITLE
MECHANICAL SPECIFICATIONS

PART NO. / DRAWING NO.
S560-6600-HA
FILE NAME
S5606600HAPB

STANDARD DIMENSION TOLERANCE IN INCH		[] METRIC DIM. AS REFERENCE	
.X	±0.1	UNIT : INCH [mm]	REV. : PB
.XX	±0.03	SCALE : N/A	SIZE : A4
.XXX	±0.005		PAGE : 3

