

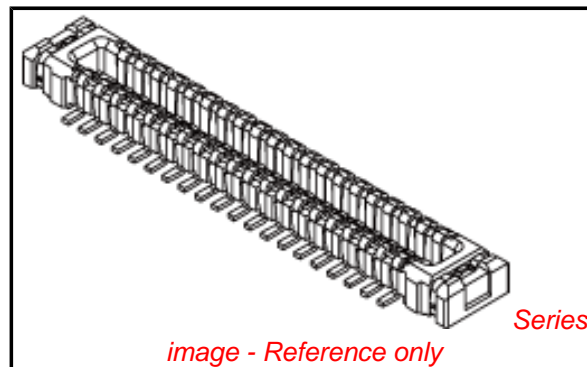
PLEASE CHECK WWW.MOLEX.COM FOR LATEST PART INFORMATION

Part Number: [5024307030](#)
Status: **Active**
Overview: [slimstack_mm016_pitch](#)
Description: 0.40mm (.016") Pitch SlimStack™ Board-to-Board, Plug, SMT, Dual Row, Vertical Stacking, 1.00mm (.039") Stacking Height, With Solder Tabs, with Vacuum Tape, 70 Circuits

Documents:

[3D Model](#)
[Drawing \(PDF\)](#)

[RoHS Certificate of Compliance \(PDF\)](#)



General

Product Family	PCB Headers
Series	502430
Application	Board-to-Board
Overview	slimstack_mm016_pitch
Product Name	SlimStack™

Physical

Breakaway	No
Circuits (Loaded)	70
Color - Resin	Black
Durability (mating cycles max)	30
Glow-Wire Compliant	No
Mated Height (in)	0.039 In
Mated Height (mm)	1.00 mm
Material - Metal	Phosphor Bronze
Material - Plating Mating	Gold
Material - Plating Termination	Gold
Number of Rows	2
Orientation	Vertical
PCB Locator	No
PCB Retention	Yes
Packaging Type	Embossed Tape on Reel
Pitch - Mating Interface (in)	0.016 In
Pitch - Mating Interface (mm)	0.40 mm
Polarized to Mating Part	No
Polarized to PCB	No
Stackable	No
Temperature Range - Operating	-20°C to +85°C
Termination Interface: Style	Surface Mount

Electrical

Current - Maximum per Contact	0.3A
Voltage - Maximum	50V AC (RMS)/DC

Material Info

Reference - Drawing Numbers

Packaging Specification	SPK-502430-001
Product Specification	RPS-502426-004, RPS-502426-013, RPS-502426-017
Sales Drawing	SD-502430-003, SD-502430-004

EU RoHS

**ELV and RoHS
Compliant**
REACH SVHC
 Not Reviewed
**Halogen-Free
Status**
 Not Reviewed

China RoHS



**Need more information on product
environmental compliance?**

Email productcompliance@molex.com
 For a multiple part number RoHS Certificate of Compliance, [click here](#)

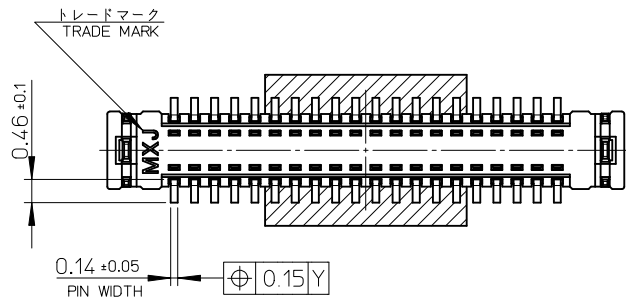
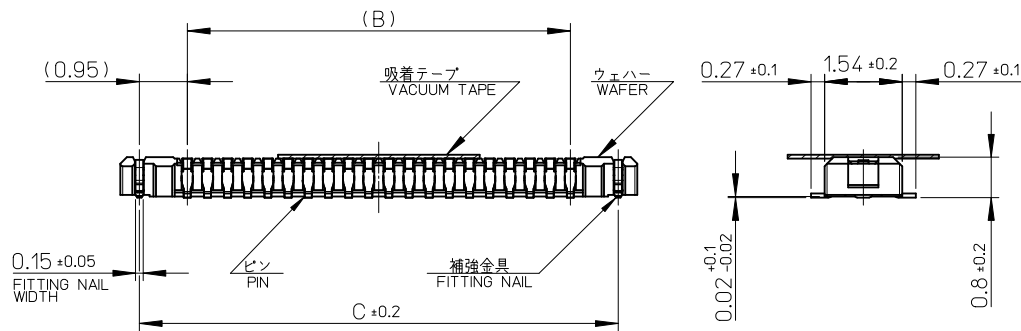
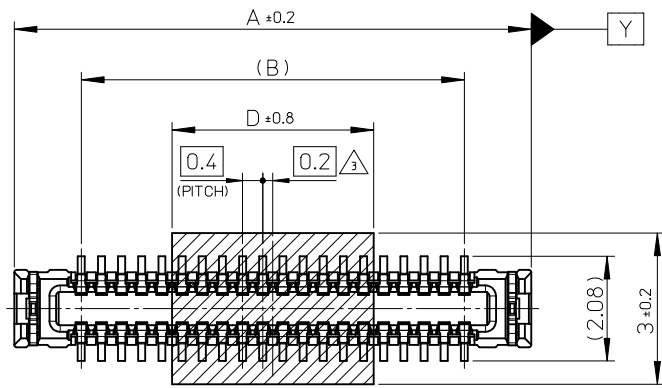
Please visit the [Contact Us](#) section for any non-product compliance questions.

Search Parts in this Series

[502430Series](#)

Mates With

[502426 PCB Receptacle](#)



10.0	19.5	17.6	20.26	502430-9030	90
	17.5	15.6	18.26	502430-8030	80
	15.5	13.6	16.26	502430-7030	70
7.0	13.5	11.6	14.26	502430-6030	60
	11.5	9.6	12.26	502430-5030	50
4.0	9.5	7.6	10.26	502430-4030	40
	7.9	6.0	8.66	502430-3230	32
3.4	6.7	4.8	7.46	502430-2630	26
	6.3	4.4	7.06	502430-2430	24
	5.9	4.0	6.66	502430-2230	22
2.4	5.5	3.6	6.26	502430-2030	20
	4.3	2.4	5.06	502430-1430	14
D	C	B	A	EMBOSSED TAPE PACKAGE ORDER No.	CKT.

CONNECTOR SERIES No. : 502430-**39

REVISED EC NO: J2010-1588 DRWN: TANIGUCHI 012010/02/02 CHKD: THIRATA 2010/02/02 APPR: MSASAO 2010/02/03	GENERAL TOLERANCES (UNLESS SPECIFIED)	DIMENSION STYLE MM ONLY	SCALE 10:1	DESIGN UNITS METRIC	THIRD ANGLE PROJECTION	
	10 UNDER ± --- 10 OVER 30 UNDER ± --- 30 OVER ± --- ANGULAR ± --- ° DRAFT WHERE APPLICABLE MUST REMAIN WITHIN DIMENSIONS	DRAWN BY RTAKEUCHI CHECKED BY MSASAO APPROVED BY MSASAO MATERIAL NO. SEE TABLE	DATE 2007/12/26 DATE 2007/12/26 DATE 2007/12/26	TITLE 0.4 B-T0-B CONN. HGT=1.0 W=2.6 PLUG ASSY WITH TAPE MOLEX INCORPORATED DOCUMENT NO. SD-502430-003		
	SIZE A3 THIS DRAWING CONTAINS INFORMATION THAT IS PROPRIETARY TO MOLEX INCORPORATED AND SHOULD NOT BE USED WITHOUT WRITTEN PERMISSION	SHEET NO. 1 OF 2				
	D REV	EN-02DA(021)				

注記 NOTES

1. 使用材料 MATERIAL

ウェハー : 液晶ポリマー (LCP) ガラス充填 UL94V-0 (黒)
 WAFER: LIQUID CRYSTAL POLYMER (GLASS FILLED) UL94V-0 (COLOR: BLACK)

ピン : りん青銅 (t=0.08)
 PIN : PHOSPHOR BRONZE (t=0.08)

金具 : りん青銅 (t=0.15)
 FITTING NAIL : PHOSPHOR BRONZE (t=0.15)

吸着テープ : ポリイミド
 VACUUM TAPE : POLYIMIDE

2. メッキ仕様 PLATING

ピン PIN

金メッキ 0.1 マイクロメートル以上
 GOLD 0.2 MICROMETER MINIMUM

下地メッキ : ニッケルメッキ 1.0 マイクロメートル以上
 UNDER PLATING : NICKEL 1.0 MICROMETER MINIMUM

※コンタクト部とテール部はニッケルメッキによって分断されている金メッキです。
 DIVIDE INTO PARTS THE GOLD PLATING OF THE CONTACT AND THE TAIL PART BY THE NICKEL PLATING.

※封孔処理品

金具 FITTING NAIL

フラッシュ金メッキ
 FLASH Au PLATING

下地メッキ : ニッケルメッキ 1.0 マイクロメートル以上
 UNDER PLATING : NICKEL 1.0 MICROMETER MINIMUM

③ (全極数 / 2) = 偶数の場合に適用。
 APPLY FOR (CIRCUIT/2) = EVEN.

4. 嵌合相手 : 502426 シリーズ
 MATE WITH : 502426 SERIES.

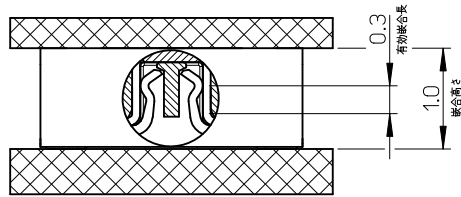
5. テール平坦度は、0.08 以下

テール及び金具の平坦度は、0.1 以下
 TAIL COPLANARITY TO BE 0.08 MAXIMUM.
 TAIL AND FITTING NAIL COPLANARITY TO BE 0.1 MAXIMUM.

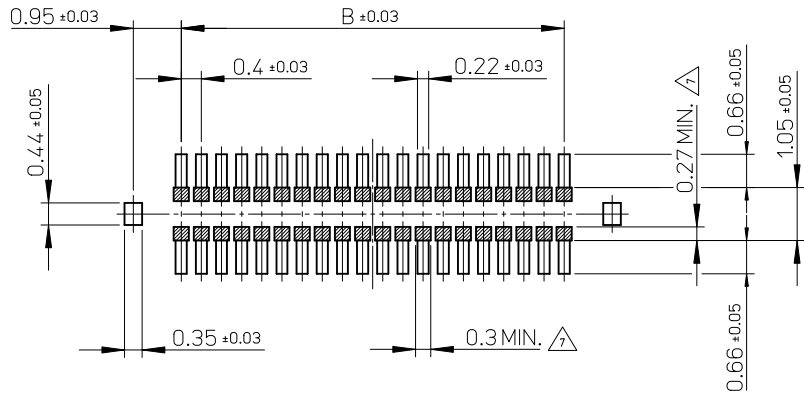
6. ELV 及び RoHS 適合品
 ELV AND RoHS COMPLIANT.

⑦ 斜線部はパターン書込み禁止範囲と半田禁止範囲を示す。

ただし、斜線部に同一配線を配置する場合はレジストを施し、この部分に半田は無きこと。
 NO PATTERN CIRCUIT AND NO SOLDER ALLOWED IN THE SHADED AREA.
 HOWEVER, IF NEEDED TO ADD A TRACE OF THE SAME CIRCUIT, PUT THE SOLDER-RESIST, YET NO SOLDER ALLOWED IN THE AREA.



嵌合断面図 (参考)
 MATED DRAWING (REFERENCE)

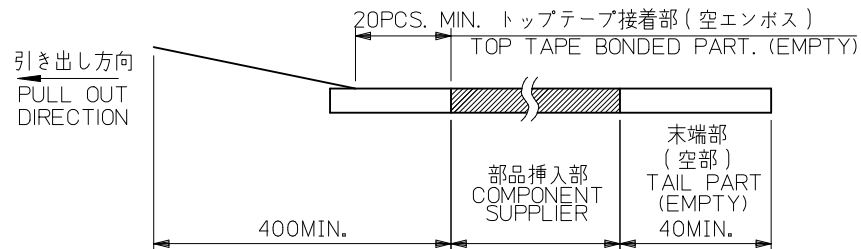
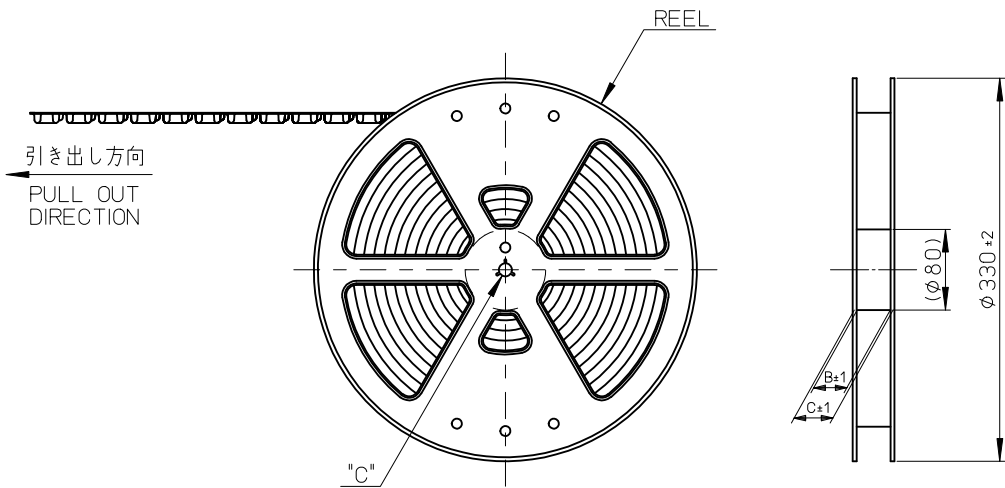


P.C. BOARD PATTERN LAYOUT
 (REFERENCE)

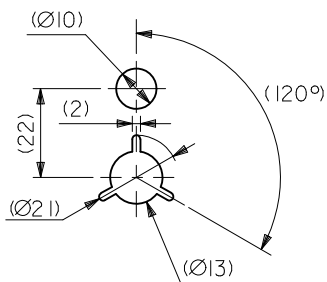
REVISED EC NO: J2010-1588 DRWN: TANIGUCHI 012010/02/02 CHKD: THIRATA 2010/02/02 APPR: MSASAO 2010/02/03	GENERAL TOLERANCES (UNLESS SPECIFIED)		DIMENSION STYLE MM ONLY		SCALE 10:1	DESIGN UNITS METRIC	THIRD ANGLE PROJECTION		
	10 UNDER	± ---	DRAWN BY RTAKEUCHI	DATE 2007/12/26	TITLE 0.4 B-TO-B CONN. HGT=1.0 W=2.6 PLUG ASSY WITH TAPE				
	10 OVER 30 UNDER	± ---	CHECKED BY MSASAO	DATE 2007/12/26	MOLEX INCORPORATED				
	30 OVER	± ---	APPROVED BY MSASAO	DATE 2007/12/26	MATERIAL NO. SEE SHEET 1	DOCUMENT NO. SD-502430-003	SHEET NO. 2 OF 2		
D	DESCRIPTION ANGULAR ± --- ° DRAFT WHERE APPLICABLE MUST REMAIN WITHIN DIMENSIONS	THIS DRAWING CONTAINS INFORMATION THAT IS PROPRIETARY TO MOLEX INCORPORATED AND SHOULD NOT BE USED WITHOUT WRITTEN PERMISSION							

注記 NOTES

- 製品詳細寸法については製品単体図面を参照下さい。
RE DETAILED DIMENSION, SEE PRODUCT DRAWING.
- 梱包数量: 3000 個/リール
NUMBER OF CONNECTORS : 3000PCS/REEL
- リードテープ長さ LEAD TAPE LENGTH

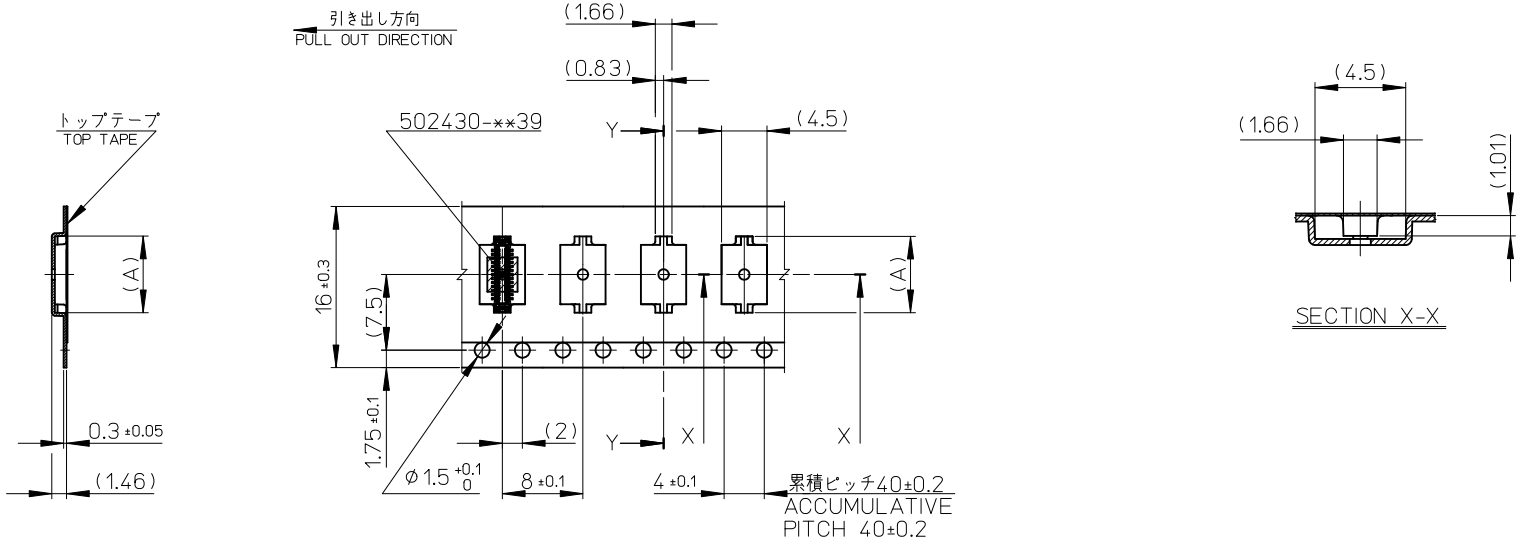


- 材料 MATERIAL
 キャリアテープ (CARRIER TAPE): ポリスチレン (POLYSTYRENE)
 トップテープ (TOP TAPE): PET, PE, PEF
 リール (REEL): ポリスチレン (PS) <リサイクル材を含む>
 POLYSTYRENE (PS) <RECYCLE MATERIAL CONTAINED>
- ELV 及び RoHS 適合品。
ELV AND RoHS COMPLIANT.



DETAIL "C"

REVISED EC NO: J2010-1588 DRWN: TANIGUCHI 012010/02/02 CHKD: THIRATA 2010/02/02 APPR: MSASAO 2010/02/03	GENERAL TOLERANCES (UNLESS SPECIFIED)		DIMENSION STYLE MM ONLY		SCALE ---	DESIGN UNITS METRIC	MODEL NO. 502430-***30	
	10 UNDER	±---	DRAWN BY RTAKEUCHI	DATE 2007/12/26	TITLE 0.4 B-TO-B CONN. HGT=1.0 W=2.6 PLUG WITH TAPE EMBSTP PKG			
	10 OVER 30 UNDER	±---	CHECKED BY MSASAO	DATE 2007/12/26	APPROVED BY MSASAO 2007/12/26			
	30 OVER	±---	MATERIAL NO. SEE TABLE		DOCUMENT NO. SD-502430-004			
ANGULAR ±---°		DRAFT WHERE APPLICABLE MUST REMAIN WITHIN DIMENSIONS		SHEET NO. 1 OF 4			MATERIAL NO. 502430-***30	
THIS DRAWING CONTAINS INFORMATION THAT IS PROPRIETARY TO MOLEX INCORPORATED AND SHOULD NOT BE USED WITHOUT WRITTEN PERMISSION								



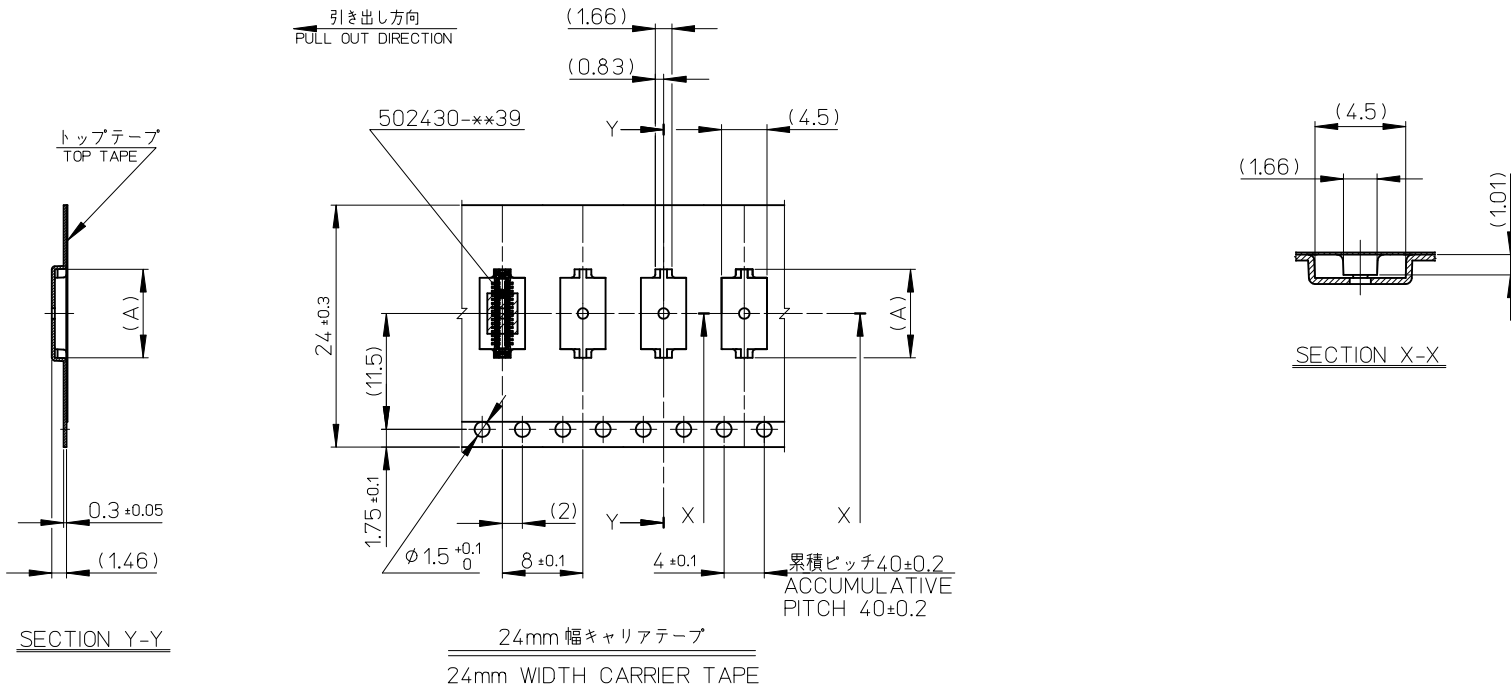
SECTION Y-Y

SECTION X-X

16mm 幅キャリアテープ
16mm WIDTH CARRIER TAPE

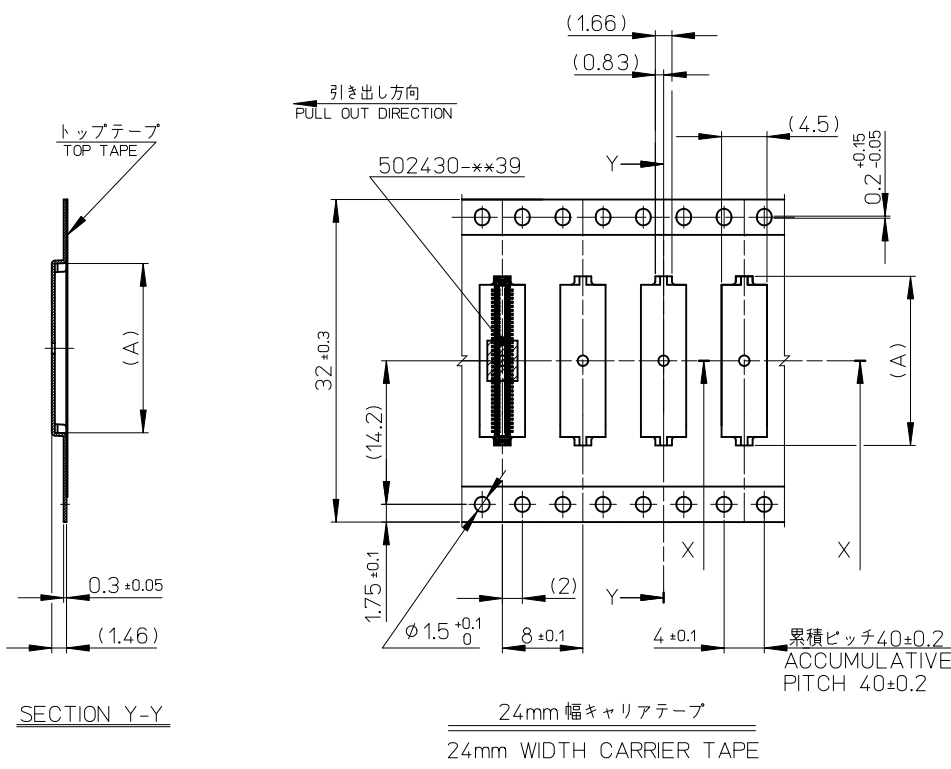
16	21.4	17.4	7.58	502430-2630	26
			7.18	502430-2430	24
			6.78	502430-2230	22
			6.38	502430-2030	20
			5.18	502430-1430	14
キャリアテープ幅 CARRIER TAPE WIDTH			C	B	(A)
			MATERIAL No.		CKT.
			MODEL No.		502430-**30

REVISED EC NO: J2010-1588 DRWN: TANIGUCHI 2010/02/02 CHKD: THIRATA 2010/02/02 APPR: MSASAO 2010/02/03	DESCRIPTION REV	GENERAL TOLERANCES (UNLESS SPECIFIED)		DIMENSION STYLE MM ONLY		SCALE ---	DESIGN UNITS METRIC	THIRD ANGLE PROJECTION	
		10 UNDER	±---	DRAWN BY RTAKEUCHI	DATE 2007/12/26	TITLE 0.4 B-TO-B CONN. HGT=1.0 W=2.6 PLUG WITH TAPE EMBSTP PKG			
		10 OVER 30 UNDER	±---	CHECKED BY MSASAO	DATE 2007/12/26	MOLEX INCORPORATED			
		30 OVER	±---	APPROVED BY MSASAO	DATE 2007/12/26	DOCUMENT NO. SD-502430-004			
		ANGULAR	±---°	MATERIAL NO. SEE TABLE		SHEET NO. 2 OF 4			
DRAFT WHERE APPLICABLE MUST REMAIN WITHIN DIMENSIONS		THIS DRAWING CONTAINS INFORMATION THAT IS PROPRIETARY TO MOLEX INCORPORATED AND SHOULD NOT BE USED WITHOUT WRITTEN PERMISSION							



24	29.4	25.4	14.38	502430-6030	60
			12.38	502430-5030	50
			10.38	502430-4030	40
			8.78	502430-3230	32
キャリアテープ幅 CARRIER TAPE WIDTH			(A)	MATERIAL No.	CKT.
				MODEL No.	502430-***30

REVISED EC NO: J2010-1588 DRWN: TANIGUCHI 01/2010/02/02 CHKD: THIRATA 2010/02/02 APPR: MSASAO 2010/02/03	DESCRIPTION GENERAL TOLERANCES (UNLESS SPECIFIED)	DIMENSION STYLE MM ONLY		SCALE ---	DESIGN UNITS METRIC	THIRD ANGLE PROJECTION	
		10 UNDER ± ---	DRAWN BY RTAKEUCHI	DATE 2007/12/26	TITLE 0.4 B-TO-B CONN. HGT=1.0 W=2.6 PLUG WITH TAPE EMBSTP PKG		
		10 OVER 30 UNDER ± ---	CHECKED BY MSASAO	DATE 2007/12/26	MOLEX INCORPORATED		
		30 OVER ± ---	APPROVED BY MSASAO	DATE 2007/12/26	MATERIAL NO. SEE TABLE	DOCUMENT NO. SD-502430-004	SHEET NO. 3 OF 4
		ANGULAR ± --- °	DRAFT WHERE APPLICABLE MUST REMAIN WITHIN DIMENSIONS				



32	37.4	33.4	20.38	502430-9030	90
			18.38	502430-8030	80
			16.38	502430-7030	70
キャリアテープ幅 CARRIER TAPE WIDTH			C	B	(A)
			MODEL No.		502430-***30

REVISED EC NO: J2010-1588 DRWN: TANI GUCHI 01 2010/02/02 CHKD: 2010/02/02 APPR: MSASAO 2010/02/03	GENERAL TOLERANCES (UNLESS SPECIFIED)		DIMENSION STYLE MM ONLY		SCALE ---	DESIGN UNITS METRIC	THIRD ANGLE PROJECTION
	10 UNDER	± ---	DRAWN BY RTAKEUCHI	DATE 2007/12/26	TITLE 0.4 B-TO-B CONN. HGT=1.0 W=2.6 PLUG WITH TAPE EMBSTP PKG		
	10 OVER 30 UNDER	± ---	CHECKED BY MSASAO	DATE 2007/12/26	MOLEX INCORPORATED		
	30 OVER	± ---	APPROVED BY MSASAO	DATE 2007/12/26	DOCUMENT NO. SD-502430-004		
ANGULAR ± --- °		DRAFT WHERE APPLICABLE MUST REMAIN WITHIN DIMENSIONS		MATERIAL NO. SEE TABLE		SHEET NO. 4 OF 4	