



# TAI-SAW TECHNOLOGY CO., LTD.

No. 3, Industrial 2nd Rd., Ping-Chen Industrial District,  
Taoyuan, 324, Taiwan, R.O.C.

TEL: 886-3-4690038 FAX: 886-3-4697532

E-mail: [tstsales@mail.taisaw.com](mailto:tstsales@mail.taisaw.com) Web: [www.taisaw.com](http://www.taisaw.com)

## Approval Sheet For Product Specification

Issued Date:

Product Name: SAW Filter 433.42 MHz SMD 3.8X3.8 mm

TST Parts No.: TA0723A

Customer Parts No.: \_\_\_\_\_

Company: _____
Division: _____
Approved by : _____
Date: _____

Checked by: \_\_\_\_\_ Asin Lin

Approval by: \_\_\_\_\_ Francis Chen

Date: \_\_\_\_\_ 2007/8/03



# TAI-SAW TECHNOLOGY CO., LTD.

No. 3, Industrial 2nd Rd., Ping-Chen Industrial District,  
Taoyuan, 324, Taiwan, R.O.C.

TEL: 886-3-4690038 FAX: 886-3-4697532

E-mail: [tstsales@mail.taisaw.com](mailto:tstsales@mail.taisaw.com) Web: [www.taisaw.com](http://www.taisaw.com)

## SAW Filter 433.42 MHz

MODEL NO.: TA0723A

REV. NO.: 1

### A. MAXIMUM RATING:

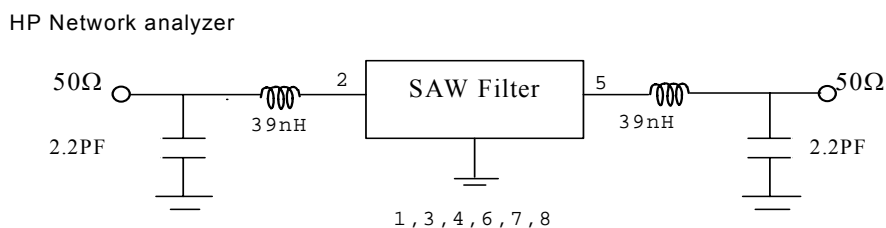
1. Input Power Level: 0 dB<sub>m</sub>
2. DC voltage: 12 V
3. Operating Temperature: -45°C to +85°C
4. Storage Temperature: -45°C to +85°C

RoHS Compliant  
Lead free  
Lead-free soldering

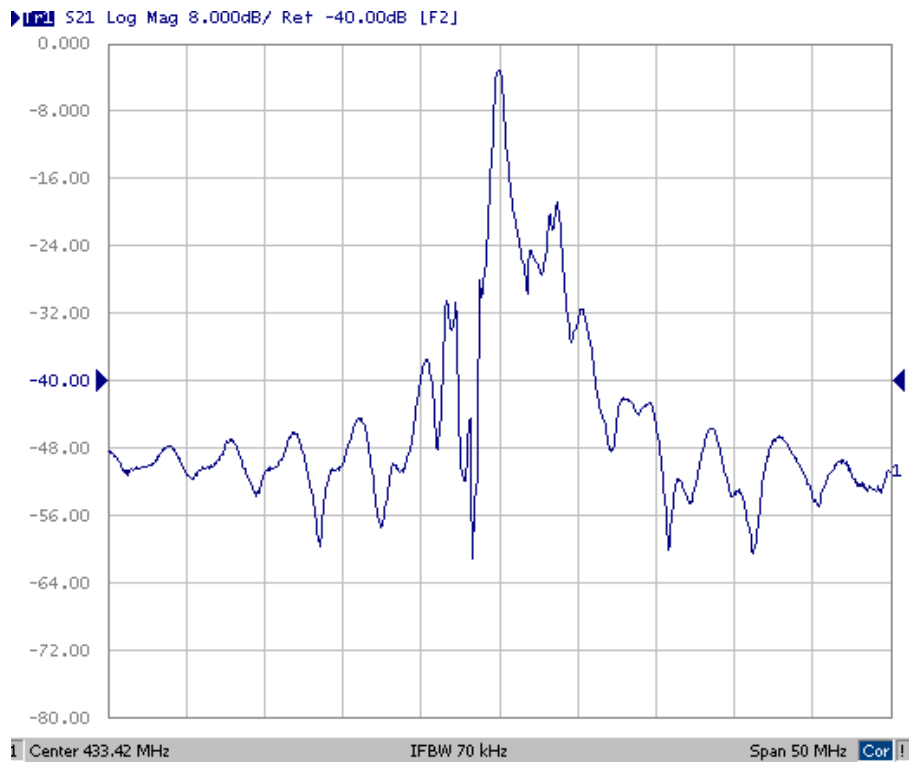
### B. ELECTRICAL CHARACTERISTICS:

Item	Min.	Typ.	Max.	Note
Center frequency $F_c$ (MHz)	433.3	433.42	433.62	1
Minimum I.L. (433.3~433.62 MHz) (dB) $IL_{min}$	-	3.2	5.0	
Pass band (relative to $IL_{min}$ )				1
433.26~433.58 MHz (dB)	-	-	2.0	
433.24~433.60 MHz (dB)	-	-	3.0	
433.18~433.66 MHz (dB)	-	-	6.0	
Pass bandwidth (relative to $IL_{min}$ ) $BW_3$ (KHz)	500	550	750	
Attenuation:( relative to $IL_{min}$ ) (dB )				
413.5~427.5 MHz (dB )	38	42	-	1
427.5~432.34 MHz (dB )	15	24	-	
434.42~441.5 MHz (dB )	10	15	-	
441.5~549.5 MHz (dB )	33	38	-	
Impedance at $F_c$ ; Input $Z_{IN}=R_{IN}/C_{IN}$ Output $Z_{OUT}=R_{OUT}/C_{OUT}$	232Ω // 3.2 pF 232Ω // 3.2 pF			

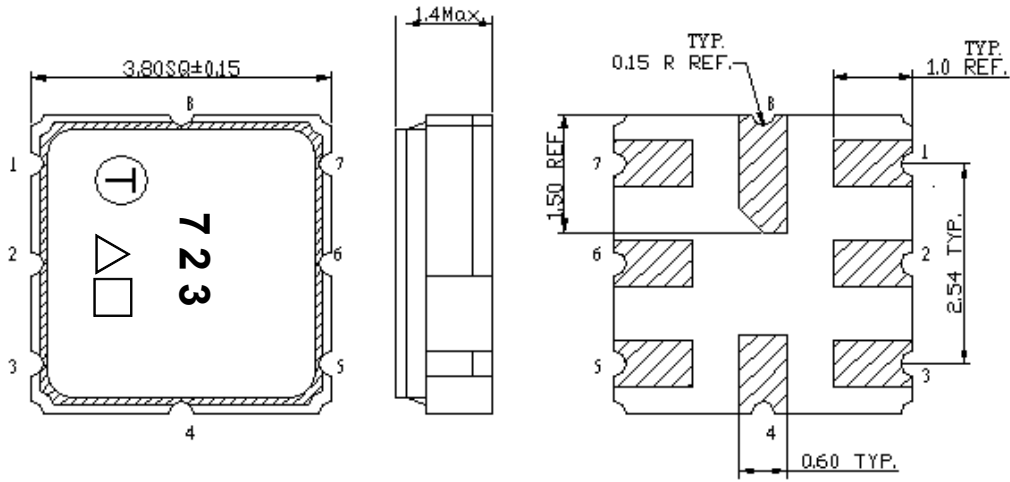
### C. MEASUREMENT CIRCUIT:



### D. Frequency Characteristics :



### E.OUTLINE DRAWING:

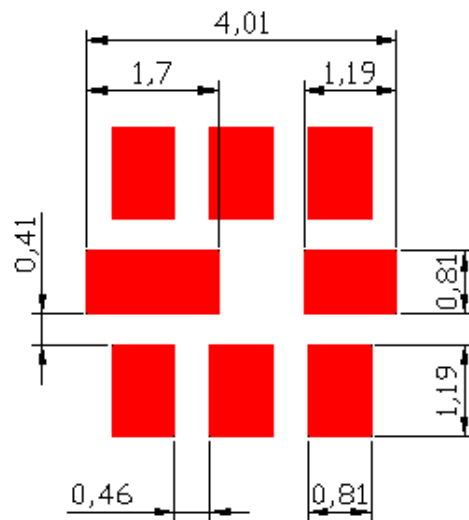


2 : Input 1 : Input Ground  
 5: Output 6 : Output Ground  
 3,4,7,8 Ground  
 △:Year Code  
 □: Date Code(Follow the table provided by planner each year.)  
 Unit: mm

△ Product Year Code

Year	2005	2006
	2007	2008
	2009	2010
	.	.
Product Code	A	a

### F.PCB FOOTPRINT:

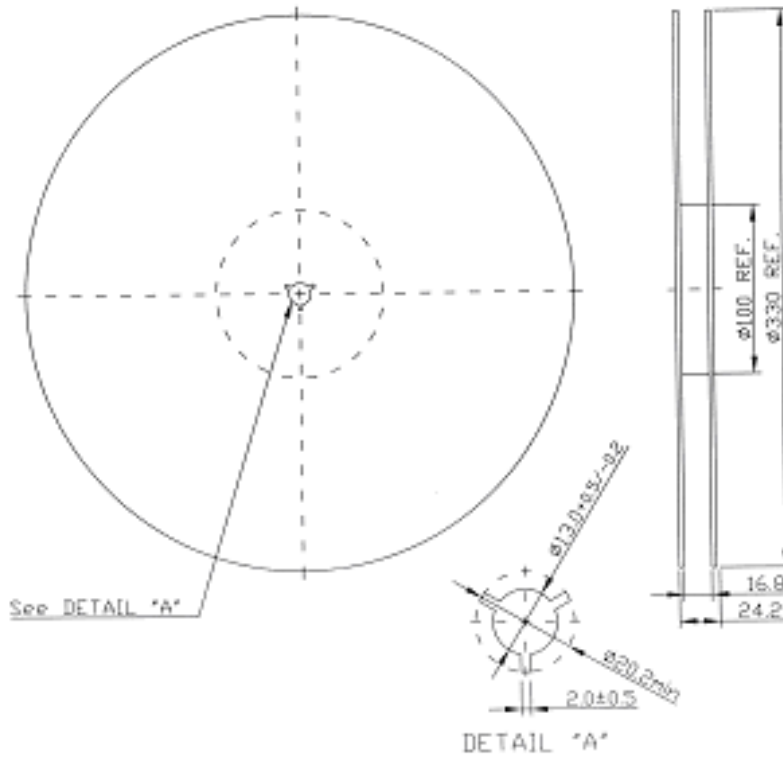


**G. PACKING:**

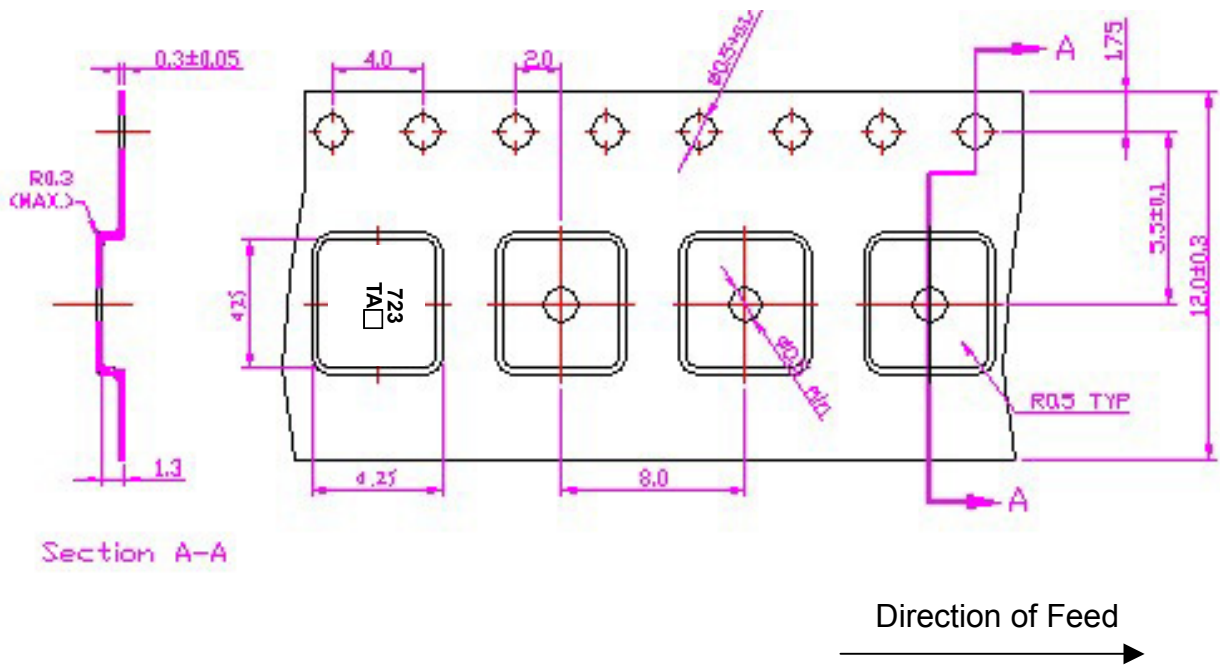
**1. REEL DIMENSION**

7"=1000

13"=3000



**2. TAPE DIMENSION**



**H.RECOMMENDED REFLOW PROFILE:**

