

PLEASE CHECK WWW.MOLEX.COM FOR LATEST PART INFORMATION

Part Number: [0855105025](#)
Status: **Active**
Overview: [modular_plugs_jacks](#)
Description: Modular Jack, Vertical, SMT, 4/4, Solder Tabs

Documents:

[3D Model](#) [RoHS Certificate of Compliance \(PDF\)](#)
[Drawing \(PDF\)](#)

Agency Certification

UL E107635

General

Product Family Modular Jacks/Plugs
 Series [85510](#)
 Comments Small Panel Cutout
 Component Type PCB Jack
 Magnetic No
 Overview [modular_plugs_jacks](#)
 Performance Category 3
 Power over Ethernet (PoE) N/A
 Product Name RJ11

Physical

Boot Color N/A
 Color - Resin Black
 Durability (mating cycles max) 1,000
 Flammability 94V-0
 Inverted / Top Latch No
 Lightpipes/LEDs None
 Material - Metal Brass
 Material - Plating Mating Gold
 Material - Plating Termination Tin
 Material - Resin High Temperature Thermoplastic
 Orientation Vertical (Top Entry)
 PCB Locator No
 PCB Retention Yes
 Packaging Type Embossed Tape on Reel
 Pitch - Mating Interface (in) 0.040 In
 Pitch - Mating Interface (mm) 1.02 mm
 Pitch - Term. Interface (in) 0.050 In
 Pitch - Term. Interface (mm) 1.27 mm
 Plating min: Mating (µin) 120.00, 50.8
 Plating min: Mating (µm) 1.27, 3.000
 Plating min: Termination (µin) 120.00, 76
 Plating min: Termination (µm) 1.9, 3.00
 Ports 1
 Positions / Loaded Contacts 4/4
 Surface Mount Compatible (SMC) Yes
 Temperature Range - Operating -40°C to +80°C
 Termination Interface: Style Surface Mount
 Waterproof / Dustproof No
 Wire/Cable Type N/A

Electrical

Current - Maximum per Contact 1.5A

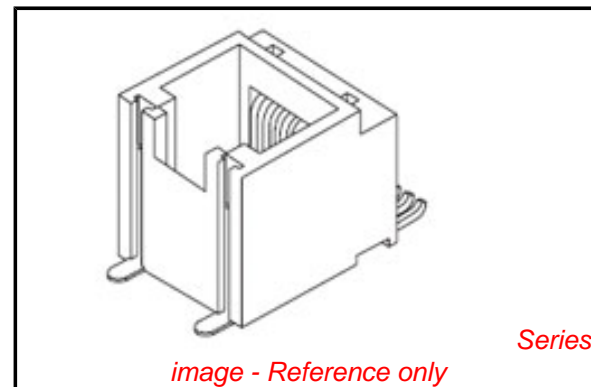


image - Reference only

EU RoHS

**ELV and RoHS
 Compliant**
**REACH SVHC
 Contains SVHC: No**
**Halogen-Free
 Status**

China RoHS



**Need more information on product
 environmental compliance?**

Email productcompliance@molex.com
 For a multiple part number RoHS Certificate of
 Compliance, [click here](#)

Please visit the [Contact Us](#) section for any
 non-product compliance questions.

Search Parts in this Series

[85510Series](#)

Mates With

FCC 68 Plugs

| | |
|-------------------|---------|
| Shielded | No |
| Voltage - Maximum | 125V DC |

Solder Process Data

| | |
|------------------------------------------------|---------------------------|
| Duration at Max. Process Temperature (seconds) | 40 |
| Lead-free Process Capability | Reflow Capable (SMT only) |
| Max. Cycles at Max. Process Temperature | 3 |
| Process Temperature max. C | 260 |

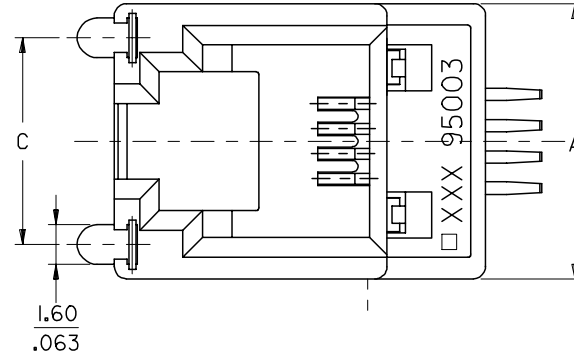
Material Info**Reference - Drawing Numbers**

| | |
|---------------------------|--------------|
| Application Specification | AS-85513-001 |
| Packaging Specification | PK-85510 |
| Sales Drawing | SD-85510-002 |

This document was generated on 06/07/2010

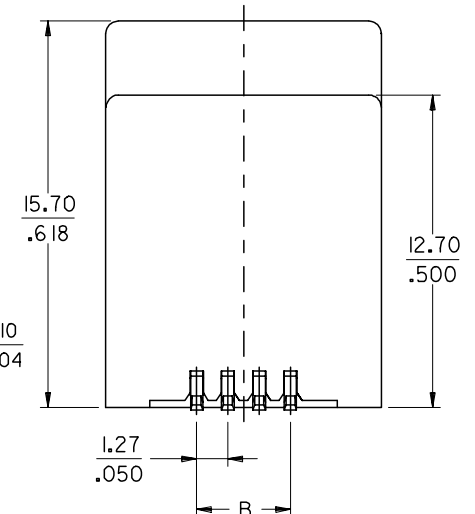
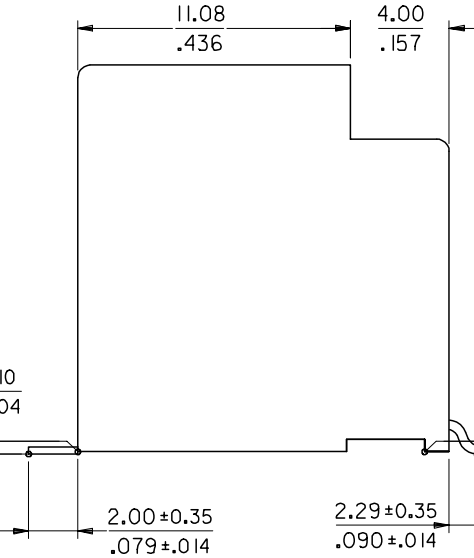
PLEASE CHECK WWW.MOLEX.COM FOR LATEST PART INFORMATION

| PART. NO. | HOUSING SIZE | LOADED CKTS | TOOLED | PACKAGING | A | B ±0.15 ±.006 | C |
|------------|--------------|-------------|--------|---------------------|---------------|------------------|---------------|
| 85510-5003 | 8 | 8 | YES | TAPE | | | |
| 85510-5020 | 8 | 8 | YES | BLISTER ON REEL 13" | 15.24 .600 | 8.89 .350 | 10.77 .424 |
| 85510-5028 | 8 | 8 | YES | BLISTER ON REEL 22" | | | |
| 85510-5005 | 6 | 6 | YES | TAPE | | | |
| 85510-5019 | 6 | 6 | YES | BLISTER ON REEL 13" | 13.21 .520 | 6.35 .250 | 9.95 .392 |
| 85510-5027 | 6 | 6 | YES | BLISTER ON REEL 22" | | | |
| 85510-5013 | 6 | 4 | NO | TAPE | | | |
| 85510-5018 | 6 | 4 | NO | BLISTER ON REEL 13" | 13.21 .520 | 3.81 .150 | 9.95 .392 |
| 85510-5026 | 6 | 4 | YES | BLISTER ON REEL 22" | | | |
| 85510-5007 | 4 | 4 | YES | TAPE | | | |
| 85510-5017 | 4 | 4 | YES | BLISTER ON REEL 13" | 11.18 .440 | 3.81 .150 | 8.40 .331 |
| 85510-5025 | 4 | 4 | YES | BLISTER ON REEL 22" | | | |



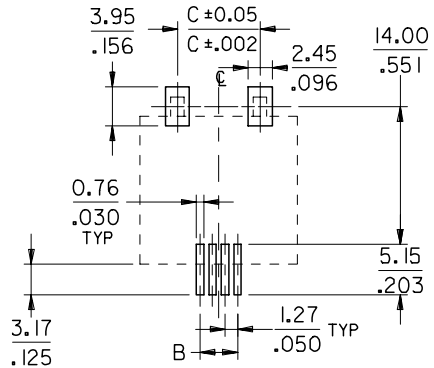
NOTES:

- MATERIAL:
 - HOUSING: LCP FIBER GLASS FILLED UL 94-V0, COLOR BLACK.
 - TERMINAL: BRASS PLATED WITH: 0.00127/.000050 MIN. GOLD IN CONTACT AREA, 0.00190/.000075 MIN PURE TIN IN TAIL AREA, BOTH OVER 0.00127/.000050 MIN NICKEL OVERALL.
 - SOLDER NAILS: BRASS PRE-PLATED WITH 0.0020/.000078 MIN TIN
- JACK FOR MATING WITH F.C.C.68 PLUGS (MOLEX 95075 SERIES).
- PRODUCT SPECIFICATION PS-95503-001.
- APPLICATION SPECIFICATION: AS-85513-001
- PACKAGING SPECIFICATION: PK-85510 SHEET 1 (TAPE ON REEL) SHEET 2 (BLISTER ON REEL 13") SHEET 3 (BLISTER ON REEL 22")
- COPLANARITY OF SIGNAL LEADS: 0.10 MAX
- MANUFACTURING I.D CAN BE EITHER MG, MXF OR MXL.



PCB MOUNTING PATTERNS

(SEE FROM COMPONENT SIDE)
(SCALE 2:1)



(ONLY 4/4 VERSION PADS SHOWN)

| | | |
|---------------------|------------|-------------|
| CORRECTED TERM MATL | 2007/07/23 | DESCRIPTION |
| EC NO: E2008-0031 | 2007/07/23 | |
| DRWN:DBYRNES | 2007/07/23 | |
| CHKD: | | |
| APPR:EDMANNONY | 2007/07/26 | |

| | |
|-----------------|-----|
| QUALITY SYMBOLS | ▽=0 |
| | ∇=0 |

| | | |
|------------------------------------------------------|--------|--------|
| GENERAL TOLERANCES (UNLESS SPECIFIED) | mm | INCH |
| 4 PLACES | ± --- | ± --- |
| 3 PLACES | ± --- | ± .006 |
| 2 PLACES | ± 0.15 | ± .010 |
| 1 PLACE | ± 0.25 | ± --- |
| ANGULAR ± 2 ° | | |
| DRAFT WHERE APPLICABLE MUST REMAIN WITHIN DIMENSIONS | | |

| | | |
|-----------------|----------|----------------------|
| DIMENSION STYLE | | MM/IN |
| DRAWN BY | DATE | TITLE |
| FB | 95/11/21 | TOP ENTRY SMT JACKS |
| CHECKED BY | DATE | 4/4 6/6 AND 8/8 POS. |
| TB | 95/11/21 | WITH SOLDER NAILS |
| APPROVED BY | DATE | MATERIAL NO. |
| FB | 95/11/21 | DOCUMENT NO. |
| SEE CHART | | SHEET NO. |
| A3 | | 1 OF 1 |

| | | |
|--------------------|--------------|------------------------|
| SCALE | DESIGN UNITS | THIRD ANGLE PROJECTION |
| 5:1 | METRIC | |
| MOLEX INCORPORATED | | |
| SD-85510-002 | | |