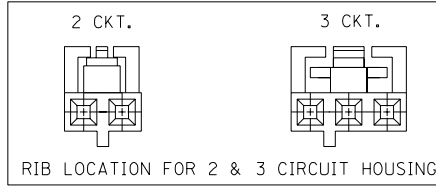


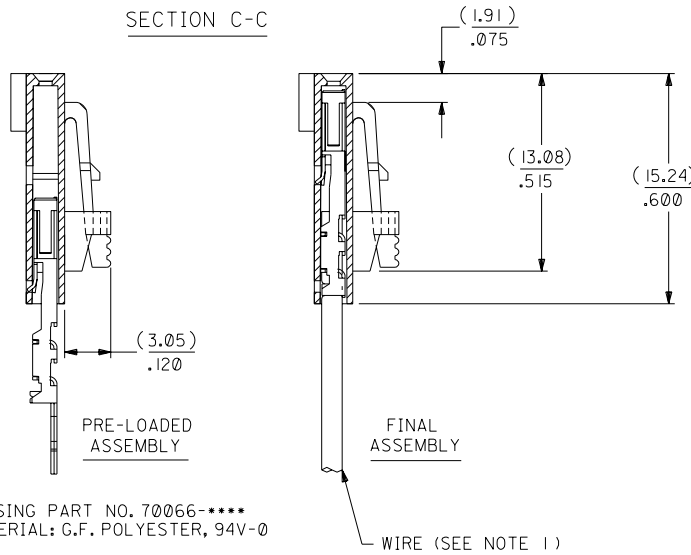
OPTION G

NOTES:

- TO BE USED WITH (24) AWG. STRANDED WIRE WITH (1.35)/.053 DIA. MAX. INSULATION.
- SEE CHART FOR CIRCUIT SIZES.
- STANDARD PACKAGING PER PK-70873-0001. OPTIONAL PACKAGING MAY BE AVAILABLE, REQUEST DWG. PK-70400
- PARTS STACKABLE END TO END ON (2.54)/.100 CENTERS.
- REFER TO PRODUCT SPECIFICATION: PS-70400.
- SEE DWG. SDA-70400-**** (SHT. 5) FOR OPTIONAL HOUSING DETAILS.
- 4 CIRCUIT SHOWN. 4 - 25 CKT'S. HAVE (2) RIBS.
- TO MATE WITH MOLEX PART NO'S.: A-70373-****, A-70375-****, A-70389-****, A-70391-****, 70107-****, 70018-****, A-70543-****, A-70553-****, A-70541-****, A-70551-****, A-70545-****, A-70555-****.
- 2 CIRCUIT ASSEMBLIES SUPPLIED AS GROUPED PAIRS.



SECTION C-C



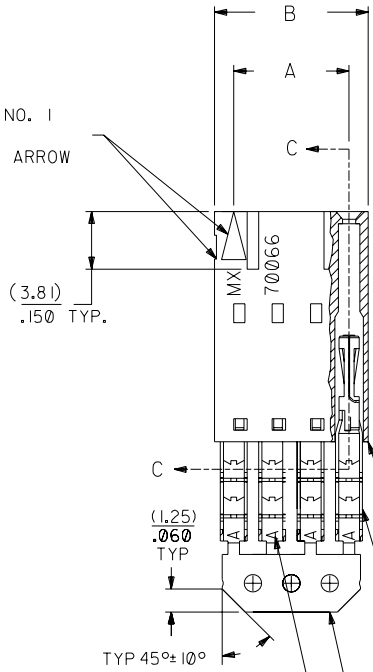
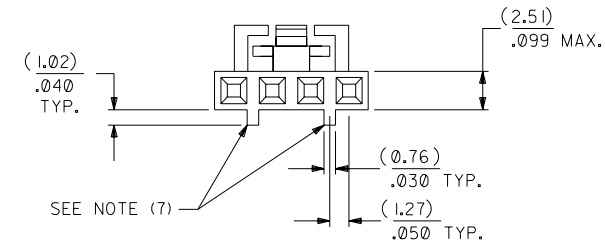
HOUSING PART NO. 70066-****
MATERIAL: G.F. POLYESTER, 94V-0

TERMINAL PART NO. 70028-****
MATERIAL: PHOSPHOR BRONZE
PLATING PER ES-88-***

30 GOLD - .000030 MIN. GOLD IN SELECT AREA WITH .000075 MIN. TIN IN SELECT AREA OVER .000050 MIN. NICKEL OVER-ALL.

*THE PRIMARY SHIPPING CARTON WILL BE LABELED "COMPLIANT TO ROHS DIRECTIVE 2002/95/EC AND ELV ANNEX II OF DIRECTIVE 2000/53/EC". CARTONS WITHOUT THIS LABEL MAY CONTAIN PRODUCT WITH LEAD.

CIRCUIT NO. 1
SLOT OR ARROW



I.D. SLOT CODE TO WIRE GAUGE CHART

I.D. SLOT CODE	WIRE GAUGE
A	24 AWG.

PLATING CODE (STRIPE ON CARRIER STRIP)

PLATING	COLOR
30 GOLD	RED

CKT. SIZE	A	B	EDP. NO.	ENG. NO.
2	(2.54) .100	(5.05) .199	14-56-2028	A-70400-1191
3	(5.08) .200	(7.59) .299	14-56-2038	A-70400-1192
4	(7.62) .300	(10.13) .399	14-56-2048	A-70400-1193
5	(10.16) .400	(12.67) .499	14-56-2058	A-70400-1194
6	(12.70) .500	(15.21) .599	14-56-2068	A-70400-1195
7	(15.24) .600	(17.75) .699	14-56-2078	A-70400-1196
8	(17.78) .700	(20.29) .799	14-56-2088	A-70400-1197
9	(20.32) .800	(22.83) .899	14-56-2098	A-70400-1198
10	(22.86) .900	(25.37) .999	14-56-2108	A-70400-1199
11	(25.54) 1.000	(27.91) 1.099	14-56-2118	A-70400-1200
12	(27.94) 1.100	(30.45) 1.199	14-56-2128	A-70400-1201
13	(30.48) 1.200	(32.99) 1.299	14-56-2138	A-70400-1202
14	(33.02) 1.300	(35.53) 1.399	14-56-2148	A-70400-1203
15	(35.56) 1.400	(38.07) 1.499	14-56-2158	A-70400-1204
16	(38.01) 1.500	(40.61) 1.599	14-56-2168	A-70400-1205
17	(40.64) 1.600	(43.15) 1.699	14-56-2178	A-70400-1206
18	(43.18) 1.700	(45.69) 1.799	14-56-2188	A-70400-1207
19	(45.72) 1.800	(48.23) 1.899	14-56-2198	A-70400-1208
20	(48.26) 1.900	(50.77) 1.999	14-56-2208	A-70400-1209
21	(50.80) 2.000	(53.31) 2.099	14-56-2218	A-70400-1210
22	(53.34) 2.100	(55.85) 2.199	14-56-2228	A-70400-1211
23	(55.88) 2.200	(58.39) 2.299	14-56-2238	A-70400-1212
24	(58.42) 2.300	(60.93) 2.399	14-56-2248	A-70400-1213
25	(60.96) 2.400	(63.47) 2.499	14-56-2258	A-70400-1214

LTR.	REVISIONS	LTR.	REVISIONS
	G1		ADD CARRIER CHAMF ECN# U001998-0280 05/20/98 LMCGRATH
	G		REVISED PER ECR# U00049 9-26-90 MGB
	H		LEAD FREE UCP2004-1769 RWWHITE 04/03/17
	F		REVISED PER ECN# U90726 7-10-89 MGB

DIMENSIONS SHOWN (METRIC) INCH	
UNLESS OTHERWISE SPECIFIED TOLERANCES: ANGULAR ± 1/2°	
3 PLACE	± .010
2 PLACE	± .014 ± 0.25
1 PLACE	± 0.35

▽ =	▼ =	REVISE ONLY ON CAD SYSTEM
TITLE ASSEMBLY, SL CONNECTOR (SINGLE ROW- (2.54)/.100 GRID)		
MOLEX INCORPORATED LITSE,ILL. 60532 U.S.A.		SHEET NO. DATE 10 / 10 / 84
PART NO. SDA-70400-1191-1214		DRWG. NO.
SEE CHART		
FILE NAME S70400X7	THIS DRAWING CONTAINS INFORMATION THAT IS PROPRIETARY TO MOLEX INC. AND SHOULD NOT BE USED WITHOUT WRITTEN PERMISSION.	
DRWG. BY WAZ	CHK'D. BY WAZ	SCALE 4 : 1
APP'D. BY	SCALE	SIZE DA C

70400

MFG. SH. REV.