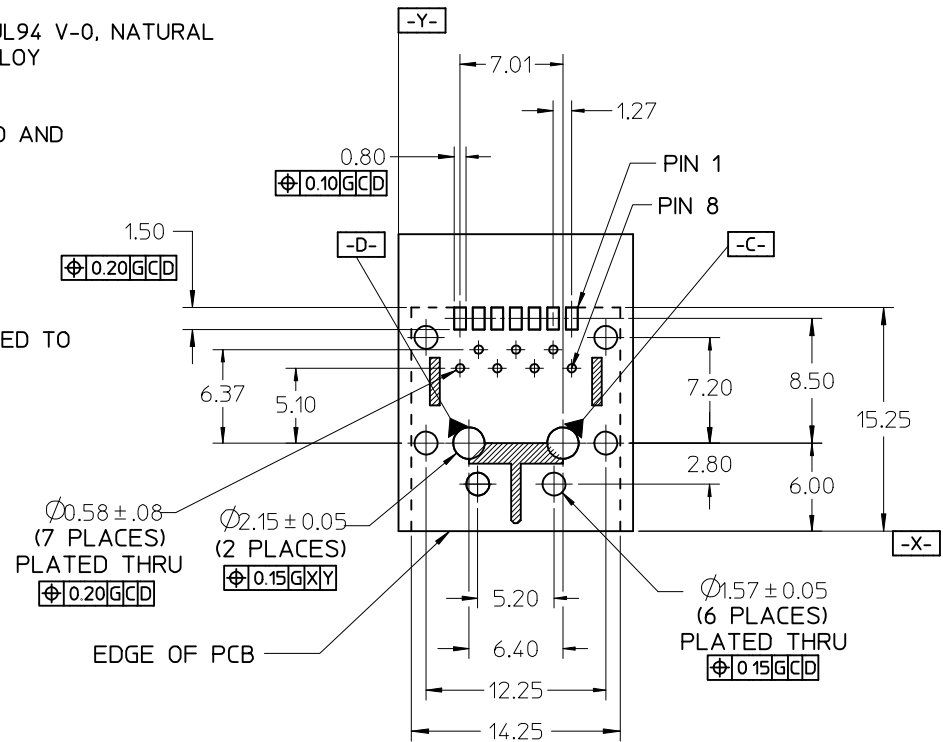
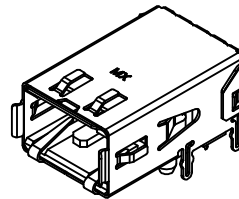
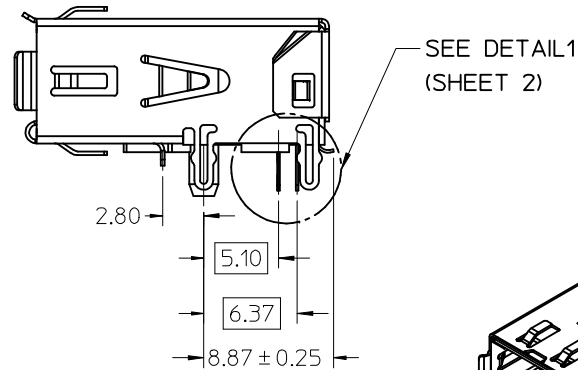
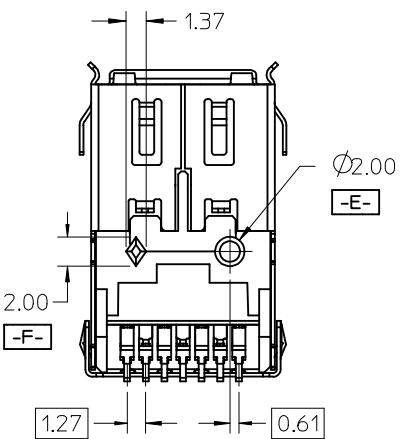
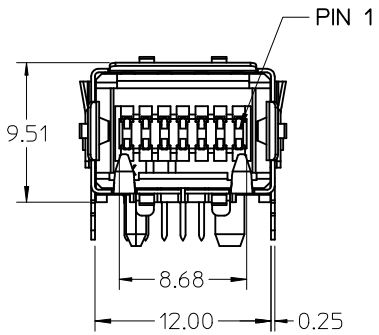
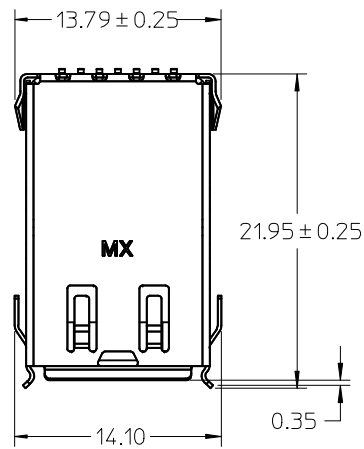
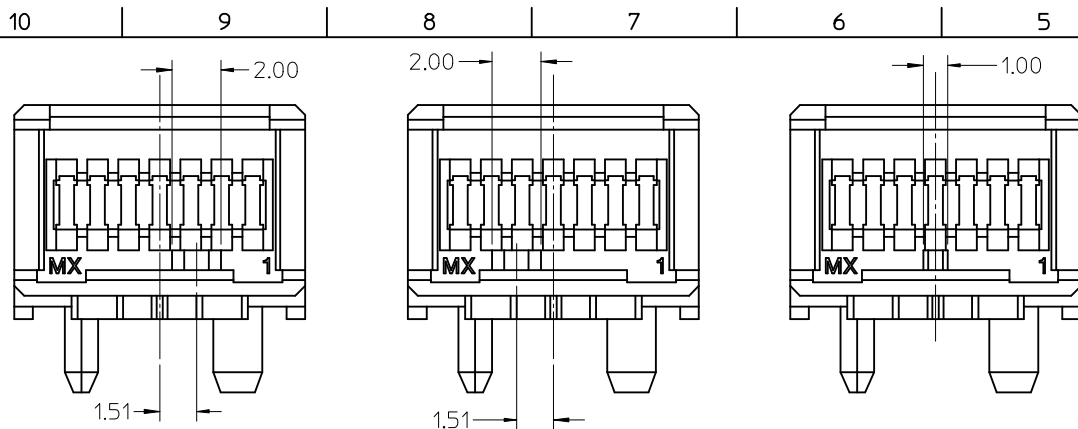


- NOTES:
1. MATERIALS: HOUSING - LIQUID CRYSTAL POLYMER, UL94 V-0, NATURAL
TERMINAL - COPPER NICKEL SILICON ALLOY
SHIELD - BRASS ALLOY
 2. FINISHES:
TERMINAL: 1.27 MICROMETERS MINIMUM SELECT GOLD AND
3.81 MICROMETERS MINIMUM SELECT TIN
OVER NICKEL UNDERPLATE OVERALL.
SHELL: 3.00 MICROMETERS MINIMUM TIN OVER
NICKEL UNDERPLATE OVERALL.
 3. PACKAGE TAPE AND REEL PER PK-74703-001 AND
PACKAGE TRAYS PER PK-74703-002.
 4. PART CONFORMS TO SPECIFICATION PS-74703-001.
 5. BOTH DROP-IN AND PRESS-FIT ASSEMBLIES REQUIRED TO
BE SOLDERED TO BOARD.



THE ENTIRE AREA OF THE CONNECTOR FOOTPRINT TO BE CONSIDERED THE KEEP OUT AREA (FOR COMPONENTS). THIS AREA IS INDICATED BY THE DASHED LINE.

MODIFY TOLERANCE EC NO: UCP2009-1117 DRWN: MSIBARRA 2008/10/29 CHKD: DMORGAN 2008/10/29 APPR: SWILLER 2008/10/30	QUALITY SYMBOLS ▽ - 0 ▽ - 0	GENERAL TOLERANCES (UNLESS SPECIFIED)		SCALE 3:1	DESIGN UNITS METRIC	THIRD ANGLE PROJECTION	REVISE ON CAD ONLY	
		mm	INCH	DIMENSION STYLE MM ONLY		TITLE SALES DRAWING HSSDC2 DUAL ROW ASSEMBLY		
		4 PLACES ± --- ± ---	3 PLACES ± --- ± ---	DRAWN BY SCHAFFER	DATE 01/8/15	MOLEX INCORPORATED		
		2 PLACES ± 0.13 ± ---	1 PLACE ± 0.25 ± ---	CHECKED BY R.FOX	DATE 01/8/17	MATERIAL NO. SEE TABLE	DOCUMENT NO. SD-74780-002	SHEET NO. 1 OF 2
J1	DRAFT WHERE APPLICABLE MUST REMAIN WITHIN DIMENSIONS	APPROVED BY BRINKMAN	DATE 01/8/31	THIS DRAWING CONTAINS INFORMATION THAT IS PROPRIETARY TO MOLEX INCORPORATED AND SHOULD NOT BE USED WITHOUT WRITTEN PERMISSION				

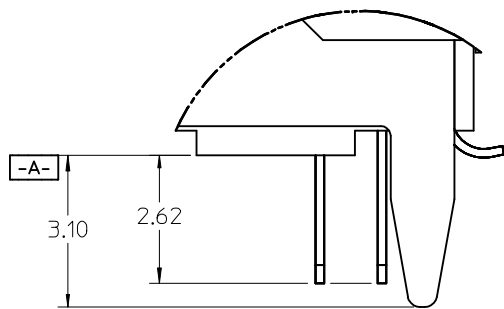


MIRROR FIBRE CHANNEL KEY
(SHIELD AND TERMINALS REMOVED)

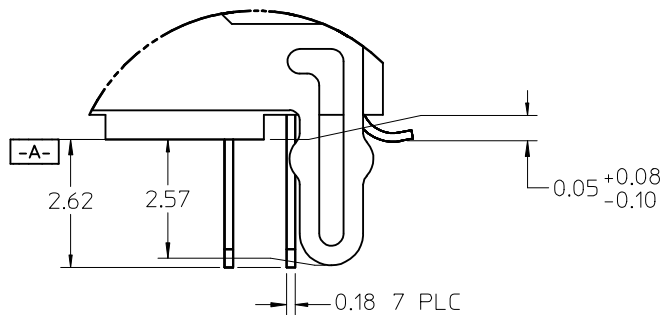
FIBRE CHANNEL KEY
(SHIELD AND TERMINALS REMOVED)

INFINIBAND KEY
(SHIELD AND TERMINALS REMOVED)

PART NUMBER	KEY	SHIELD	PACK
74780-0001	Mirror of Fibre Channel	Press Fit	Tape/Reel
74780-0002	Fibre Channel	Press Fit	Tape/Reel
74780-0003	Mirror of Fibre Channel	Drop-In	Tape/Reel
74780-0004	Fibre Channel	Drop-In	Tape/Reel
74780-0005	Infiniband	Press Fit	Tape/Reel
74780-0006	Infiniband	Drop-In	Tape/Reel
74780-0101	Mirror of Fibre Channel	Press Fit	Trays
74780-0102	Fibre Channel	Press Fit	Trays
74780-0103	Mirror of Fibre Channel	Drop-In	Trays
74780-0104	Fibre Channel	Drop-In	Trays
74780-0105	Infiniband	Press Fit	Trays
74780-0106	Infiniband	Drop-In	Trays



DROP-IN SHIELD



DETAIL1
SCALE 10:1

PRESS-FIT SHIELD

SEE SHEET 1 EC NO: UCP2009-1117 DRWN: MSIBARRA 2008/10/29 CHKD: DMORGAN 2008/10/29 APPR: SWILLER 2008/10/30	QUALITY SYMBOLS ▽ - 0 ∇ - 0	GENERAL TOLERANCES (UNLESS SPECIFIED)		SCALE 1:1	DESIGN UNITS METRIC	THIRD ANGLE PROJECTION	REVISE ON CAD ONLY
		4 PLACES ± --- ± --- 3 PLACES ± --- ± --- 2 PLACES ± 0.13 ± --- 1 PLACE ± 0.25 ± ---	DIMENSION STYLE MM ONLY	DRAWN BY DATE SCHAFFER 01/8/15	TITLE SALES DRAWING HSSDC2 DUAL ROW ASSEMBLY		
		ANGULAR ±1/2°		CHECKED BY DATE R.FOX 01/8/17	MOLEX INCORPORATED		
		DRAFT WHERE APPLICABLE MUST REMAIN WITHIN DIMENSIONS		APPROVED BY DATE BRINKMAN 01/8/31	MATERIAL NO. SEE TABLE DOCUMENT NO. SD-74780-002 SHEET NO. 2 OF 2		

THIS DRAWING CONTAINS INFORMATION THAT IS PROPRIETARY TO MOLEX INCORPORATED AND SHOULD NOT BE USED WITHOUT WRITTEN PERMISSION