



Hermetic Seal Solder Contact With 0.012 Pin Diameter,  
 0.076 Body Diameter And 0.041 Pin Length

TECHNICAL DATA SHEET

PE1001-6

**Hermetic Seal Solder Contact With 0.012 Pin Diameter, 0.076 Body Diameter And 0.041 Pin Length**

**Configuration**

Description	Hermetic Seal Solder Contact
Pin Diameter, in [mm]	0.012 [0.3]
Pin Length, in [mm]	0.041 [1.04]
Body Diameter, in [mm]	0.076 [1.93]
Body Length, in [mm]	0.055 [1.4]

**Compliance Certifications** (visit [www.Pasternack.com](http://www.Pasternack.com) for current document)

RoHS Compliant	Yes
----------------	-----

**Plotted and Other Data**

Notes:	Values at 25 °C, sea level
--------	----------------------------

Hermetic Seal Solder Contact With 0.012 Pin Diameter, 0.076 Body Diameter And 0.041 Pin Length from Pasternack Enterprises has same day shipment for domestic and International orders. Our RF, microwave and fiber optic products maintain a 99% availability and are part of the broadest selection in the industry.

Click the following link (or enter part number in "SEARCH" on website) to obtain additional part information including price, inventory and certifications: [Hermetic Seal Solder Contact With 0.012 Pin Diameter, 0.076 Body Diameter And 0.041 Pin Length PE1001-6](http://www.pasternack.com/hermetic-seal-solder-contact-0.012-pin-diameter-0.076-body-0.041-pin-pe1001-6)

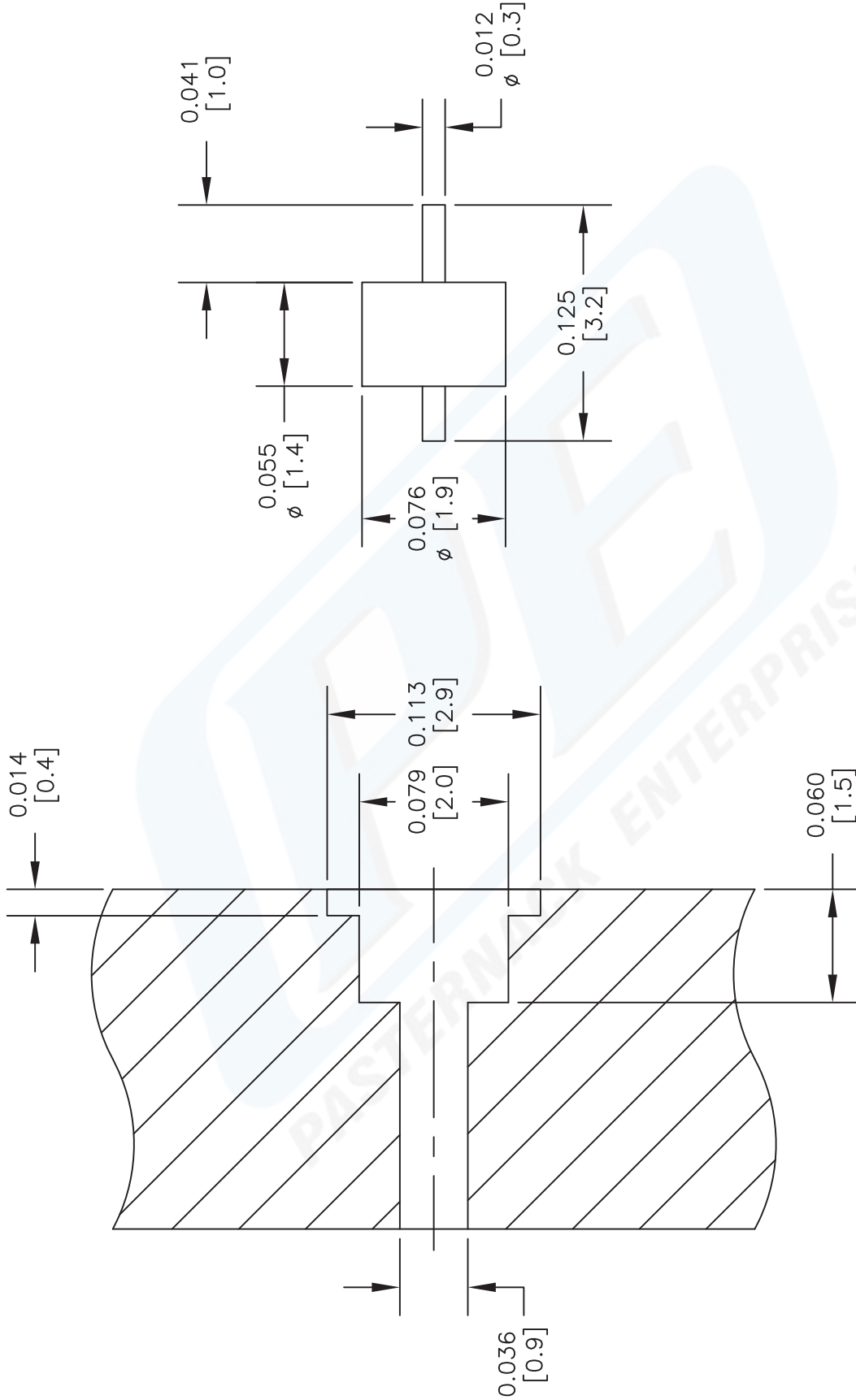
URL: <http://www.pasternack.com/hermetic-seal-solder-contact-0.012-pin-diameter-0.076-body-0.041-pin-pe1001-6-p.aspx>

The information contained in this document is accurate to the best of our knowledge and representative of the part described herein. It may be necessary to make modifications to the part and/or the documentation of the part, in order to implement improvements. Pasternack reserves the right to make such changes as required. Unless otherwise stated, all specifications are nominal.



# PE1001-6 CAD Drawing

Hermetic Seal Solder Contact With 0.012 Pin Diameter,  
0.076 Body Diameter And 0.041 Pin Length



NOTES:  
1. UNLESS OTHERWISE SPECIFIED ALL DIMENSIONS ARE NOMINAL.  
2. ALL SPECIFICATIONS ARE SUBJECT TO CHANGE WITHOUT NOTICE AT ANY TIME.  
3. DIMENSIONS ARE IN INCHES [mm].

DWG TITLE  
**PE1001-6**

FSCM NO. 53919

CAD FILE 011813-A

SCALE N/A

SIZE A

2233

**PE PASTERNAK**  
Pasternack Enterprises, Inc.  
P.O. Box 16759 | Irvine | CA | 92623  
Phone: (949) 261-1920 | Fax: (949) 261-7451  
Website: www.pasternack.com | E-Mail: sales@pasternack.com