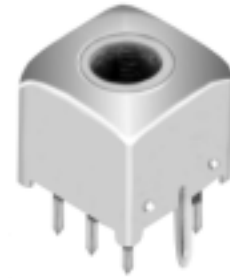
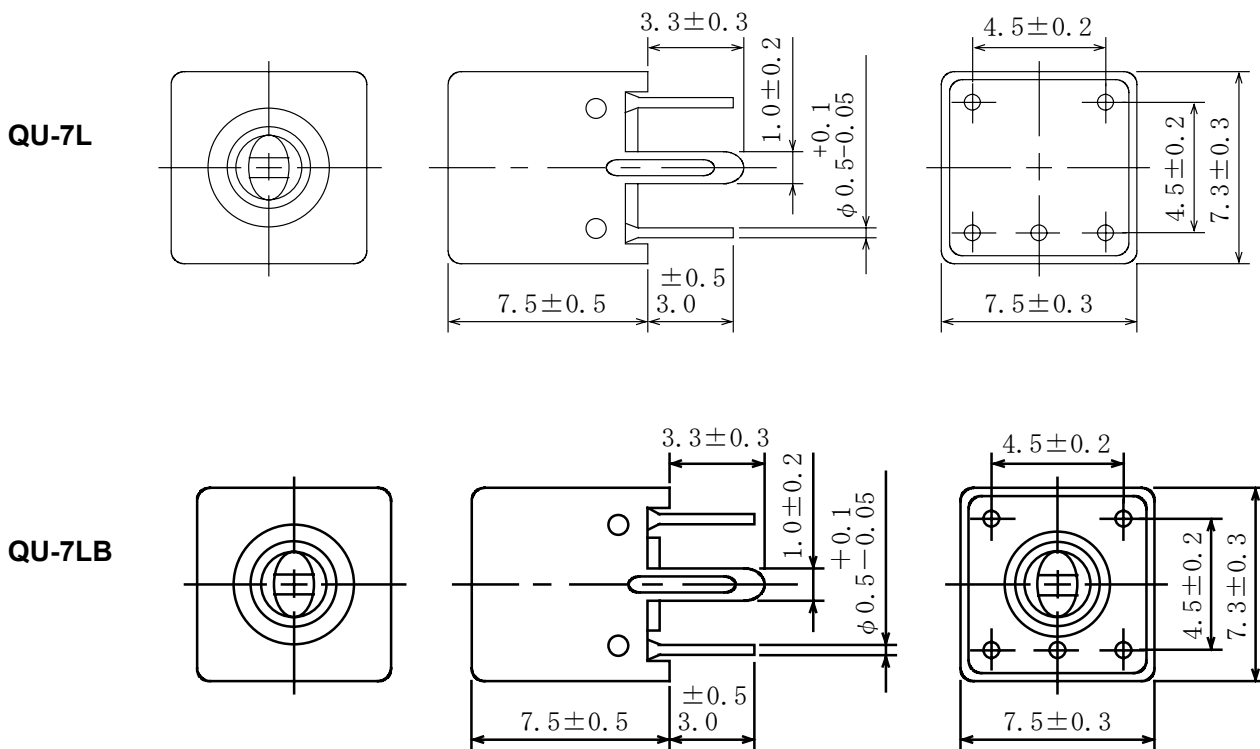


**Type: QU-7L, QU-7LB**
**◆ Product Description**

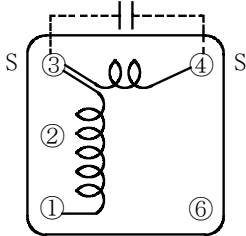
- 7.8×7.6mm Max.(L×W), 8.0mm Max. Height.
- Inductance:0.1~25μH Max.
- Operating frequency: 30MHz Max.
- In addition to the reference versions of parameters shown here, custom designs are available to meet your exact requirements


**◆ Feature**

- Variable shielded type.
- Ideally used as quadrature detector coil.
- RoHS Compliance

**◆ Dimensions (mm)**


- \* Dimension does not include solder used on coil.
- \* Pin pitch should be measured at the root of terminal.
- \* Dimensions without tolerance are approx.

**Type: QU-7L, QU-7LB**
**◆ Connection (Bottom View)**


“S” is winding start.

**◆ Specification (Both QU-7L and QU-7LB)**

Part No. 2290-T001 for QU-7L;  
S1225032 for QU-7LB

Item	Specification	Measuring Conditions
Frequency (3-4)	10.7MHz±1% Variable	
Unloaded Qu (3-4)	35 Min.	10.7MHz
Capacity (Ext.) (3-4)	100pF	
Inductance (1-3)	22 μ H (Ref.)	2.52MHz
Ext. stray capacity -15.5pF between (3-4) when measuring		