

PLEASE CHECK WWW.MOLEX.COM FOR LATEST PART INFORMATION

Part Number: [0395133012](#)
Status: **Active**
Description: 3.81mm (.150") Pitch Eurostyle™ Vertical Plug, Front Wire Entry, 12 Circuits

Documents:

[3D Model](#) [Product Specification PS-39500-001 \(PDF\)](#)
[Drawing \(PDF\)](#) [RoHS Certificate of Compliance \(PDF\)](#)

General

Product Family	Terminal Blocks
Series	39513
Application	Wire-to-Board
Comments	Front Wire Entry
Component Type	Plug
Product Literature Order No	USA-355
Product Name	ESE, Eurostyle™ Pluggable
Type	Euro Block

Physical

Circuits (Loaded)	12
Entry Angle	Horizontal
Lock to Mating Part	None
Number of Rows	1
Orientation	Vertical
Panel Mount	No
Pitch - Mating Interface (in)	0.150 In
Pitch - Mating Interface (mm)	3.81 mm
Polarized to Mating Part	Yes
Stackable	No
Temperature Range - Operating	-40°C to +105°C
Wire Size AWG	16, 18, 20, 22, 24, 26, 28, 30
Wire Size mm²	0.05 - 1.31

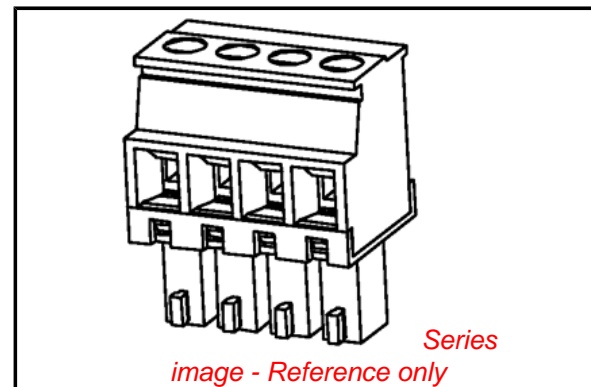
Electrical

Current - Maximum per Contact	8A
Voltage - Maximum	300V

Material Info

Reference - Drawing Numbers

Product Specification	PS-39500-001
Sales Drawing	SD-39513-001



EU RoHS

RoHS Compliant by Exemption

REACH SVHC

Not Reviewed

Halogen-Free

Status

Not Reviewed

China RoHS



Pb

Need more information on product environmental compliance?

Email productcompliance@molex.com
 For a multiple part number RoHS Certificate of Compliance, [click here](#)

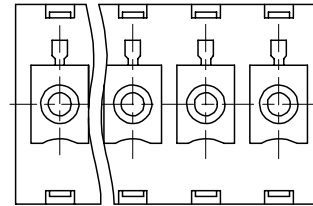
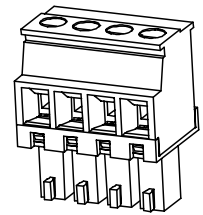
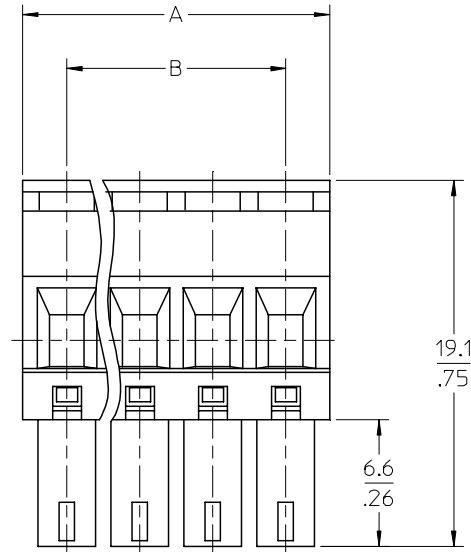
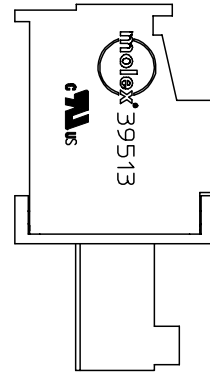
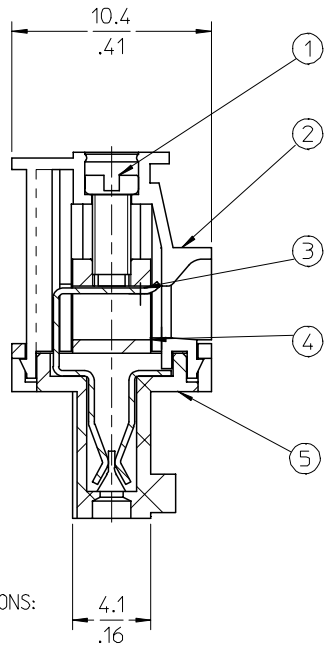
Please visit the [Contact Us](#) section for any non-product compliance questions.

Search Parts in this Series

[39513Series](#)

Mates With

Most 3.81mm (.150") Pitch Industry Standard PCB Headers, [39511](#) Vertical PCB Header, [39512](#) Horizontal PCB Header



SPECIFICATIONS:

1. Material:
 - (1). Screw: STEEL.
 - (2). Body: PA66
 - (3). Terminal: Brass
 - (4). Cage: Brass
 - (5). Cover: PA66
2. Wire range: 30 - 16AWG.
3. Electrical rating: 300V, 8A.
4. MAX TORQUE: 3 in-lbs.
5. Wire strip length: 5.00mm.
6. Operating temperature: -40C to +105C.
7. $A = (N \times P) + .79\text{mm}$.
8. $B = (N - 1) \times P$
9. $P = (\text{Pitch}) = 3.81\text{mm} (.150")$.
10. N = Number of positions available 2 through 20.
- (B) 11. ASSEMBLY IS ROHS COMPLIANT.

EDIT TITLE EC NO: ETC2007-0459 DRWN: CLYORK 2007/06/21 CHKD: JMACNEIL 2007/06/22 APPR: JMACNEIL 2007/06/25	QUALITY SYMBOLS ▽=0 ▽=0	GENERAL TOLERANCES (UNLESS SPECIFIED)		DIMENSION STYLE MM/IN	SCALE 4:1	DESIGN UNITS INCH	THIRD ANGLE PROJECTION
		4 PLACES ± --- ±.0015 3 PLACES ±0.038 ±.005 2 PLACES ±0.13 ±.01 1 PLACE ±0.3 ± ---	DRAWN BY DATE L. ROTHHAUS 2005/12/06 CHECKED BY DATE C. YORK 2006/01/06 APPROVED BY DATE J. PAWLICKI 2006/01/10	TITLE (B) 3.81MM, EURO TERM BLOCK VERTICAL, PLUG, FRONT WIRE ENTRY		MOLEX INCORPORATED	
DRAFT WHERE APPLICABLE MUST REMAIN WITHIN DIMENSIONS		SIZE B		THIS DRAWING CONTAINS INFORMATION THAT IS PROPRIETARY TO MOLEX INCORPORATED AND SHOULD NOT BE USED WITHOUT WRITTEN PERMISSION			

Circuit size	Material Numbers												Dimensional Information			
	Black						Green									
	100% Tin			30 u" Gold			100% Tin			30 u" Gold			Dim. A		Dim B	
	Printing Options			Printing Options			Printing Options			Printing Options						
None	10AV	11AV	None	10AV	11AV	None	10AV	11AV	None	10AV	11AV	mm	inch	mm	inch	
2	395133002	395133302	395133402	395133502	395133802	395133902	395138002	395138302	395138402	395138502	395138802	395138902	8.41	0.331	3.81	0.150
3	395133003	395133303	395133403	395133503	395133803	395133903	395138003	395138303	395138403	395138503	395138803	395138903	12.22	0.481	7.62	0.300
4	395133004	395133304	395133404	395133504	395133804	395133904	395138004	395138304	395138404	395138504	395138804	395138904	16.03	0.631	11.43	0.450
5	395133005	395133305	395133405	395133505	395133805	395133905	395138005	395138305	395138405	395138505	395138805	395138905	19.84	0.781	15.24	0.600
6	395133006	395133306	395133406	395133506	395133806	395133906	395138006	395138306	395138406	395138506	395138806	395138906	23.65	0.931	19.05	0.750
7	395133007	395133307	395133407	395133507	395133807	395133907	395138007	395138307	395138407	395138507	395138807	395138907	27.46	1.081	22.86	0.900
8	395133008	395133308	395133408	395133508	395133808	395133908	395138008	395138308	395138408	395138508	395138808	395138908	31.27	1.231	26.67	1.050
9	395133009	395133309	395133409	395133509	395133809	395133909	395138009	395138309	395138409	395138509	395138809	395138909	35.08	1.381	30.48	1.200
10	395133010	395133310	395133410	395133510	395133810	395133910	395138010	395138310	395138410	395138510	395138810	395138910	38.89	1.531	34.29	1.350
11	395133011	395133311	395133411	395133511	395133811	395133911	395138011	395138311	395138411	395138511	395138811	395138911	42.70	1.681	38.10	1.500
12	395133012	395133312	395133412	395133512	395133812	395133912	395138012	395138312	395138412	395138512	395138812	395138912	46.51	1.831	41.91	1.650
13	395133013	395133313	395133413	395133513	395133813	395133913	395138013	395138313	395138413	395138513	395138813	395138913	50.32	1.981	45.72	1.800
14	395133014	395133314	395133414	395133514	395133814	395133914	395138014	395138314	395138414	395138514	395138814	395138914	54.13	2.131	49.53	1.950
15	395133015	395133315	395133415	395133515	395133815	395133915	395138015	395138315	395138415	395138515	395138815	395138915	57.94	2.281	53.34	2.100
16	395133016	395133316	395133416	395133516	395133816	395133916	395138016	395138316	395138416	395138516	395138816	395138916	61.75	2.431	57.15	2.250
17	395133017	395133317	395133417	395133517	395133817	395133917	395138017	395138317	395138417	395138517	395138817	395138917	65.56	2.581	60.96	2.400
18	395133018	395133318	395133418	395133518	395133818	395133918	395138018	395138318	395138418	395138518	395138818	395138918	69.37	2.731	64.77	2.550
19	395133019	395133319	395133419	395133519	395133819	395133919	395138019	395138319	395138419	395138519	395138819	395138919	73.18	2.881	68.58	2.700
20	395133020	395133320	395133420	395133520	395133820	395133920	395138020	395138320	395138420	395138520	395138820	395138920	76.99	3.031	72.39	2.850

SEE SHEET 1 EC NO: ETC2007-0459 DRWN: CLYORK 2007/06/21 CHKD: JMACEIL 2007/06/22 APPR: JMACEIL 2007/06/25	QUALITY SYMBOLS ▽=0 ▽=0	GENERAL TOLERANCES (UNLESS SPECIFIED) mm INCH 4 PLACES ± --- ±.0015 3 PLACES ±0.038 ±.005 2 PLACES ±0.13 ±.01 1 PLACE ±0.3 ± --- ANGULAR ± 2 °	DIMENSION STYLE MM/IN DRAWN BY DATE LROTHAUS 2005/12/06 CHECKED BY DATE C. YORK 2006/01/06 APPROVED BY DATE J. PAWLICKI 2006/01/10	SCALE 4:1 DESIGN UNITS INCH THIRD ANGLE PROJECTION	TITLE 3.81MM, EURO TERM BLOCK VERTICAL, PLUG, FRONT WIRE ENTRY
	MATERIAL NO. SEE CHART	DOCUMENT NO. SD-39513-001	SHEET NO. 2 OF 2		
	DRAFT WHERE APPLICABLE MUST REMAIN WITHIN DIMENSIONS			THIS DRAWING CONTAINS INFORMATION THAT IS PROPRIETARY TO MOLEX INCORPORATED AND SHOULD NOT BE USED WITHOUT WRITTEN PERMISSION	
				MOLEX INCORPORATED	