



Micro Commercial Components



Micro Commercial Components
20736 Marilla Street Chatsworth
CA 91311
Phone: (818) 701-4933
Fax: (818) 701-4939

1SS193

150mW
Switching Diodes

Features

- Low Leakage Current
Surface Mount SOT-23 Package
Epoxy meets UL 94 V-0 flammability rating
Moisture Sensitivity Level 1
Marking Code : F3
Halogen free available upon request by adding suffix "-HF"

Maximum Ratings

Table with 3 columns: Parameter, Symbol, Value. Includes Reverse Voltage (80V), Forward Current (100mA), Power Dissipation (150mW), Storage Temperature Range (-55°C to +150°C), and Junction Temperature (150°C).

Electrical Characteristics @ 25°C Unless Otherwise Specified

Table with 4 columns: Parameter, Symbol, Value, and Notes. Includes Reverse Voltage (80V), Minimum Reverse Breakdown Voltage (80V), Maximum Forward Voltage (1.2V), Maximum Reverse Voltage Leakage Current (0.5uA), Maximum Diode Capacitance (3.0pF), and Maximum Reverse Recovery Time (4.0ns).

SOT-23

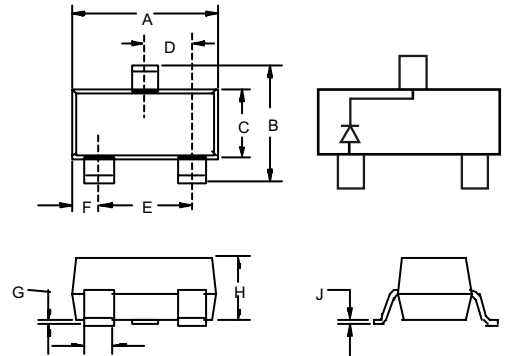
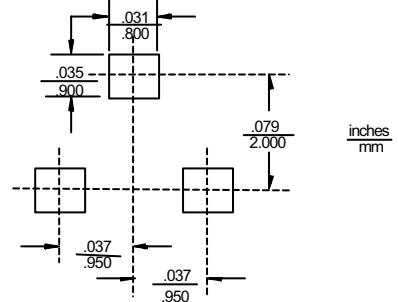


Table titled 'DIMENSIONS' with columns for DIM, INCHES (MIN, MAX), MM (MIN, MAX), and NOTE. Lists dimensions A through K with their respective minimum and maximum values in inches and millimeters.

Suggested Solder Pad Layout



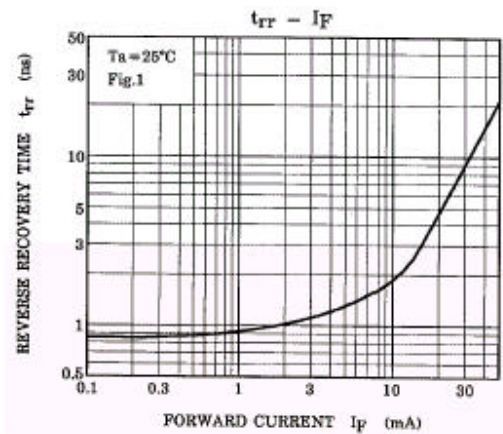
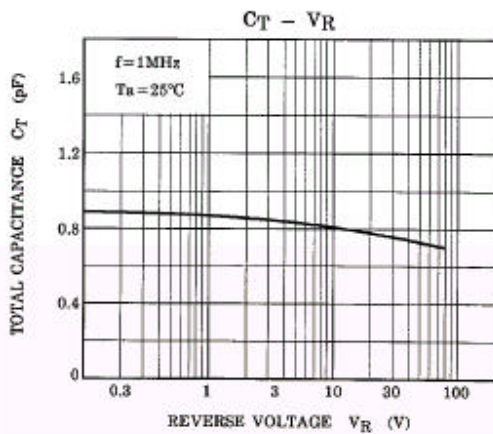
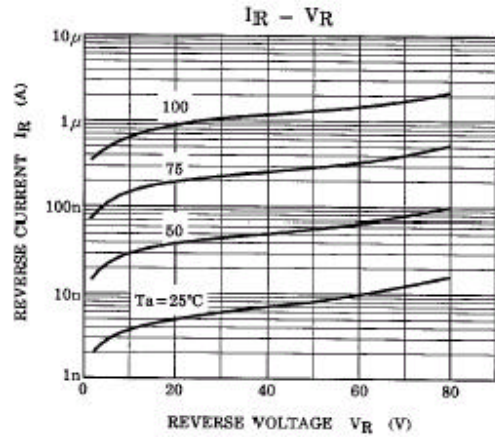
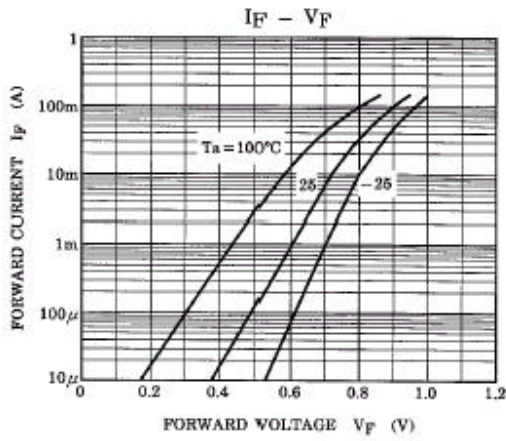
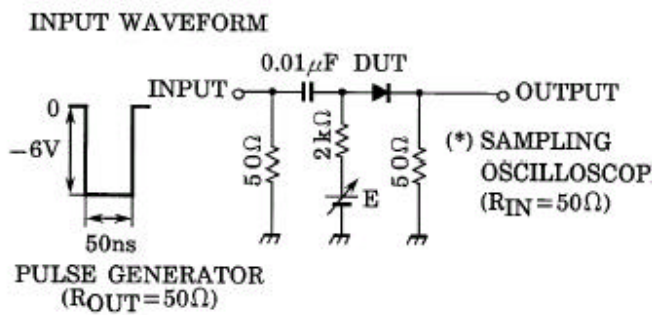
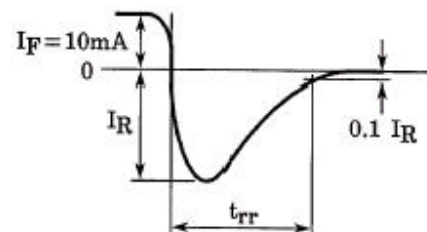


Fig.1 Reverse recovery time (t_{rr}) test circuit



OUTPUT WAVEFORM





Micro Commercial Components

Ordering Information :

Device	Packing
Part Number-TP	Tape&Reel: 3Kpcs/Reel

Note : Adding "-HF" suffix for halogen free, eg. Part Number-TP-HF

IMPORTANT NOTICE

Micro Commercial Components Corp. reserves the right to make changes without further notice to any product herein to make corrections, modifications , enhancements , improvements , or other changes . **Micro Commercial Components Corp .** does not assume any liability arising out of the application or use of any product described herein; neither does it convey any license under its patent rights ,nor the rights of others . The user of products in such applications shall assume all risks of such use and will agree to hold **Micro Commercial Components Corp .** and all the companies whose products are represented on our website, harmless against all damages.

LIFE SUPPORT

MCC's products are not authorized for use as critical components in life support devices or systems without the express written approval of Micro Commercial Components Corporation.

CUSTOMER AWARENESS

Counterfeiting of semiconductor parts is a growing problem in the industry. Micro Commercial Components (MCC) is taking strong measures to protect ourselves and our customers from the proliferation of counterfeit parts. MCC strongly encourages customers to purchase MCC parts either directly from MCC or from Authorized MCC Distributors who are listed by country on our web page cited below. Products customers buy either from MCC directly or from Authorized MCC Distributors are genuine parts, have full traceability, meet MCC's quality standards for handling and storage. **MCC will not provide any warranty coverage or other assistance for parts bought from Unauthorized Sources.** MCC is committed to combat this global problem and encourage our customers to do their part in stopping this practice by buying direct or from authorized distributors.

www.mccsemi.com