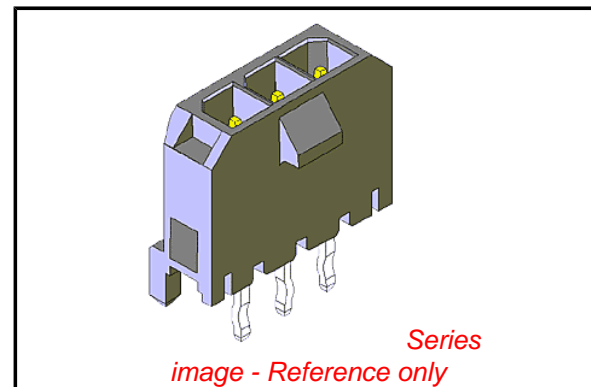


**PLEASE CHECK WWW.MOLEX.COM FOR LATEST PART INFORMATION**

**Part Number:** [0436500817](#)  
**Status:** **Active**  
**Overview:** [microfit\\_30](#)  
**Description:** 3.00mm (.118") Pitch Micro-Fit 3.0™ Header, Surface Mount Compatible, Single Row, Vertical, with PCB Polarizing Peg, 8 Circuits, 0.76µm (30µ") Gold (Au) Selective Plating, Glow Wire Compatible

**Documents:**

|   |  |
|---|--|
| <a href="#">3D Model</a>                      | <a href="#">Product Specification PS-43650 (PDF)</a> |
| <a href="#">Packaging Specification (PDF)</a> | <a href="#">RoHS Certificate of Compliance (PDF)</a> |
| <a href="#">Drawing (PDF)</a>                 |  |



**Agency Certification**

|     |           |
|-----|-----------|
| CSA | LR19980   |
| TUV | R72081037 |
| UL  | E29179    |

**General**

|                             |   |
|-----------------------------|---|
| Product Family              | PCB Headers   |
| Series                      | <a href="#">43650</a>   |
| Application                 | Wire-to-Board   |
| Comments                    | Glow Wire Equivalent Part Number <a href="#">436500817</a> .<br>High Temperature, Square Pin, Offset Through Hole Mounting, Solder Type |
| Overview                    | <a href="#">microfit_30</a>   |
| Product Literature Order No | USA-106   |
| Product Name                | Micro-Fit 3.0™  |

**Physical**

|                                |                                |
|--------------------------------|--------------------------------|
| Breakaway                      | No                             |
| Circuits (Loaded)              | 8                              |
| Circuits (maximum)             | 8                              |
| Color - Resin                  | Black                          |
| Durability (mating cycles max) | 30                             |
| Flammability                   | 94V-0                          |
| Glow-Wire Compliant            | Yes                            |
| Mated Height (in)              | 0.680 In                       |
| Mated Height (mm)              | 17.27 mm                       |
| Material - Metal               | Brass                          |
| Material - Plating Mating      | Gold                           |
| Material - Plating Termination | Tin                            |
| Material - Resin               | High Temperature Thermoplastic |
| Number of Rows                 | 1                              |
| Orientation                    | Vertical                       |
| PCB Locator                    | Yes                            |
| PCB Retention                  | Yes                            |
| PCB Thickness Recommended (in) | 0.062 In                       |
| PCB Thickness Recommended (mm) | 1.60 mm                        |
| Packaging Type                 | Tray                           |
| Pitch - Mating Interface (in)  | 0.118 In                       |
| Pitch - Mating Interface (mm)  | 3.00 mm                        |
| Plating min: Mating (µin)      | 30                             |
| Plating min: Mating (µm)       | 0.75                           |
| Plating min: Termination (µin) | 100                            |
| Plating min: Termination (µm)  | 2.5                            |
| Polarized to PCB               | Yes                            |

**EU RoHS**

**ELV and RoHS Compliant**  
**REACH SVHC Contains SVHC: No**  
**Halogen-Free Status**  
**Not Reviewed**

**China RoHS**



**Need more information on product environmental compliance?**

Email [productcompliance@molex.com](mailto:productcompliance@molex.com)  
 For a multiple part number RoHS Certificate of Compliance, [click here](#)

Please visit the [Contact Us](#) section for any non-product compliance questions.

**Search Parts in this Series**

[43650Series](#)

**Mates With**

[43645 Micro-Fit 3.0™ Receptacle Housing](#)

|                                |                           |
|--------------------------------|---------------------------|
| Shrouded                       | Fully                     |
| Stackable                      | No                        |
| Surface Mount Compatible (SMC) | Yes                       |
| Temperature Range - Operating  | -40°C to +105°C           |
| Termination Interface: Style   | Through Hole - Kinked Pin |

### **Electrical**

|                               |      |
|-------------------------------|------|
| Current - Maximum per Contact | 5A   |
| Voltage - Maximum             | 250V |

### **Solder Process Data**

|  |                              |
|--|------------------------------|
| Duration at Max. Process Temperature (seconds) | 30                           |
| Lead-free Process Capability                   | SMC & Wave Capable (TH only) |
| Max. Cycles at Max. Process Temperature        | 3                            |
| Process Temperature max. C                     | 260                          |

### **Material Info**

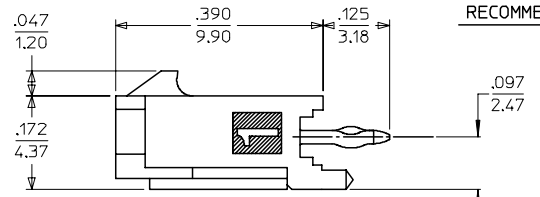
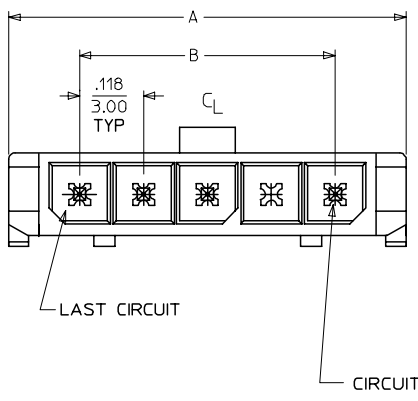
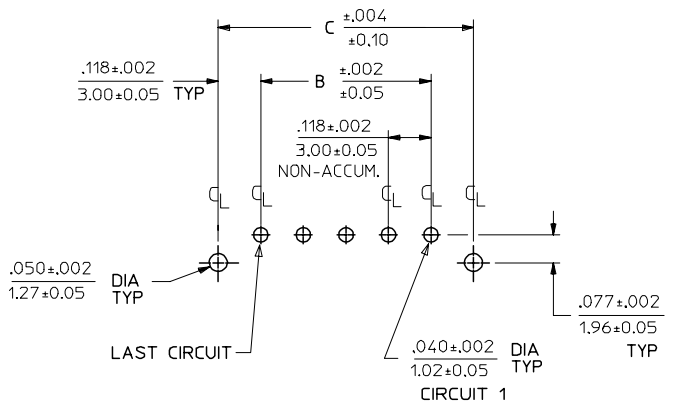
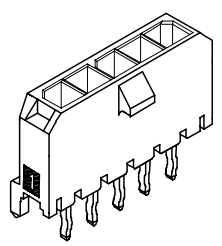
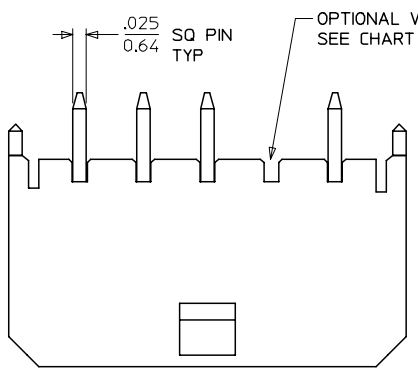
### **Reference - Drawing Numbers**

|                         |               |
|-------------------------|---------------|
| Packaging Specification | PK-70873-0811 |
| Product Specification   | PS-43650      |
| Sales Drawing           | SD-43650-006  |
| Test Summary            | TS-43045-002  |

This document was generated on 05/24/2010

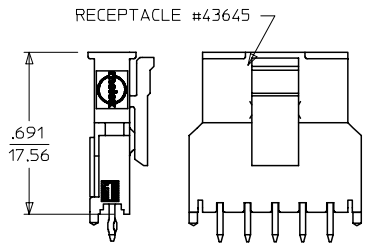
**PLEASE CHECK [WWW.MOLEX.COM](http://WWW.MOLEX.COM) FOR LATEST PART INFORMATION**

13 12 11 10 9 8 7 6 5 4 3 2 1



PCB LAYOUT: COMPONENT SIDE  
RECOMMENDED PCB THICKNESS: .062/1.57

| CKTS | A              | B              | C              |
|------|----------------|----------------|----------------|
| 2    | .380<br>9.65   | .118<br>3.00   | .354<br>9.00   |
| 3    | .498<br>12.65  | .236<br>6.00   | .472<br>12.00  |
| 4    | .616<br>15.65  | .354<br>9.00   | .591<br>15.00  |
| 5    | .734<br>18.64  | .472<br>12.00  | .709<br>18.00  |
| 6    | .852<br>21.64  | .591<br>15.00  | .827<br>21.00  |
| 7    | .970<br>24.64  | .709<br>18.00  | .945<br>24.00  |
| 8    | 1.088<br>27.64 | .827<br>21.00  | 1.063<br>27.00 |
| 9    | 1.206<br>30.63 | .945<br>24.00  | 1.181<br>30.00 |
| 10   | 1.325<br>33.66 | 1.063<br>27.00 | 1.299<br>33.00 |
| 11   | 1.443<br>36.65 | 1.181<br>30.00 | 1.417<br>36.00 |
| 12   | 1.561<br>39.65 | 1.299<br>33.00 | 1.535<br>39.00 |



| FINISH A |              |          | FINISH B |              |          | FINISH C |              |          |
|----------|--------------|----------|----------|--------------|----------|----------|--------------|----------|
| CKTS     | MATERIAL NO: | VOID CKT | CKTS     | MATERIAL NO: | VOID CKT | CKTS     | MATERIAL NO: | VOID CKT |
| 02       | 43650-0215   |          | 02       | 43650-0216   |          | 02       | 43650-0217   |          |
| 03       | 43650-0315   |          | 03       | 43650-0316   |          | 03       | 43650-0317   |          |
| 04       | 43650-0415   |          | 04       | 43650-0416   |          | 04       | 43650-0417   |          |
| 05       | 43650-0515   |          | 05       | 43650-0516   |          | 05       | 43650-0517   |          |
| 06       | 43650-0615   |          | 06       | 43650-0616   |          | 06       | 43650-0617   |          |
| 07       | 43650-0715   |          | 07       | 43650-0716   |          | 07       | 43650-0717   |          |
| 08       | 43650-0815   |          | 08       | 43650-0816   |          | 08       | 43650-0817   |          |
| 09       | 43650-0915   |          | 09       | 43650-0916   |          | 09       | 43650-0917   |          |
| 10       | 43650-1015   |          | 10       | 43650-1016   |          | 10       | 43650-1017   |          |
| 11       | 43650-1115   |          | 11       | 43650-1116   |          | 11       | 43650-1117   |          |
| 12       | 43650-1215   |          | 12       | 43650-1216   |          | 12       | 43650-1217   |          |
| 03       | 43650-0330   | 02       | 04       | 43650-0431   | 02,03    | 04       | 43650-0430   | 02,03    |
| 05       | 43650-9915   | 03       |          |              |          |          |              |          |
| 05       | 43650-0530   | 02,04    |          |              |          |          |              |          |
| 06       | 43650-0630   | 02,04,05 |          |              |          |          |              |          |

- NOTES:
- HOUSING MATERIAL: LIQUID CRYSTAL POLYMER, GLASS FILLED, UL94V-0, COLOR: BLACK  
TERMINAL MATERIAL: BRASS ALLOY
  - FINISH:  
A = .000100/(0.00254) MIN. BRIGHT TIN OVER .000050/(0.00127) MIN. NICKEL  
B = .000015/(0.00038) MIN. SELECT GOLD IN CONTACT AREA .000100/(0.00254) MIN. SELECT MATTE TIN ON SOLDER TAILS BOTH OVER .000050/(0.00127) NICKEL OVERALL  
C = .000030/(0.00076) MIN. SELECT GOLD IN CONTACT AREA .000100/(0.00254) MIN. SELECT MATTE TIN ON SOLDER TAILS BOTH OVER .000050/(0.00127) NICKEL OVERALL
  - \* THE PRIMARY SHIPPING CARTON WILL BE LABELED "COMPLIANT TO RoHS DIRECTIVE 2002/95/EC AND ELV ANNEX II OF DIRECTIVE 2000/53/EC." CARTONS WITHOUT THIS LABEL MAY CONTAIN PRODUCT WITH TIN/LEAD IN THE PC TAIL AREA.
  - PRODUCT SPECIFICATION: PS-43650
  - TRAY PACKAGED : SEE MOLEX DRAWING PK-70873-0811
  - MATES WITH MICRO FIT (3.0) RECEPTACLE SERIES 43645
  - A HIGHER TEMPERATURE GRADE MATERIAL (260C MAX. REFLOW TEMPERATURE) IS BEING PHASED-IN BEGINNING AUGUST 2007. PARTS WILL BE TEMPORARILY IDENTIFIED WITH A BLUE DOT ON THE PRIMARY SHIPPING CARTON LABEL UNTIL ALL CIRCUIT SIZES ARE CONVERTED, AT WHICH TIME A FULL-CONVERSION DATE WILL BE IDENTIFIED IN PS-43650.

|  |                     |   |  |  |  |                           |                        |                              |                     |
|--|---------------------|---|--|--|--|---------------------------|------------------------|------------------------------|---------------------|
| 691 DIM. ADD NOTE 6<br>EC NO: UCP2008-0037<br>DRAWN: KIPER 2007/09/06<br>CHKD: SSOUSEK 2007/09/11<br>APPR: FSM TH 2007/09/12 | QUALITY SYMBOLS<br> | GENERAL TOLERANCES (UNLESS SPECIFIED)<br>mm INCH  |  | DIMENSION STYLE<br>IN/MM                                       |  | SCALE<br>---              | DESIGN UNITS<br>METRIC | THIRD ANGLE PROJECTION       |                     |
|  |                     | 4 PLACES ± --- ± ---<br>3 PLACES ± --- ± .010<br>2 PLACES ± 0.25 ± .014<br>1 PLACE ± 0.36 ± ---<br>ANGULAR ±1/2°              | DRAWN BY<br>SAMIEC<br>CHECKED BY<br>MUELLER<br>APPROVED BY<br>EDGLEY | DATE<br>2000/07/07<br>DATE<br>2000/07/07<br>DATE<br>2000/07/07 | TITLE<br>MICRO-FIT (3.0)<br>SINGLE ROW / VERTICAL<br>THRU HOLE / PEGS / TRAY | MATERIAL NO.<br>SEE CHART |                        | DOCUMENT NO.<br>SD-43650-006 | SHEET NO.<br>1 OF 1 |
| DRAFT WHERE APPLICABLE<br>MUST REMAIN<br>WITHIN DIMENSIONS   |                     | THIS DRAWING CONTAINS INFORMATION THAT IS PROPRIETARY TO MOLEX INCORPORATED AND SHOULD NOT BE USED WITHOUT WRITTEN PERMISSION |  |  |  |                           |                        |                              |                     |

12 11 10 9 8 7 6 5 4 3 2 1