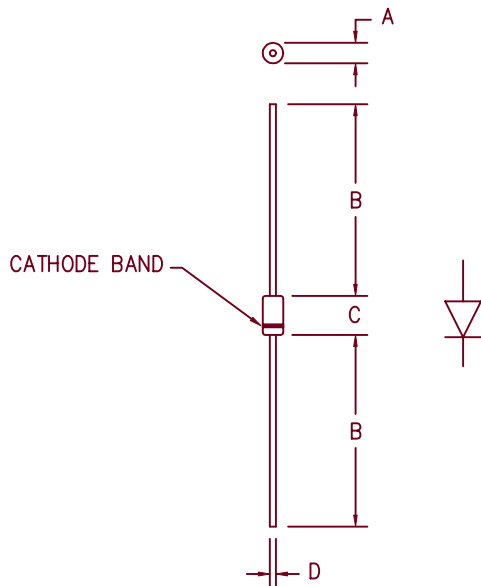


Ultra Fast Recovery Rectifiers

UF160 — UF180



Dim.	Inches		Millimeter		Notes
	Minimum	Maximum	Minimum	Maximum	
A	.081	.107	2.057	2.718	Dia.
B	1.10	---	27.94	---	
C	.160	.205	4.064	5.207	
D	.028	.034	.711	.864	Dia.

PLASTIC D041

Microsemi Catalog Number	Industry Part Number	Working Peak Reverse Voltage	Repetitive Peak Reverse Voltage
UF160	MUR160 UF4005, UF4005GP VHE260	600V	600V
UF170 UF180	MUR180 UF4006, UF4006GP	700V 800V	700V 800V

- Ultra Fast Recovery
- 175°C Junction Temperature
- VRRM 600 to 800 Volts
- 1 Amp Current Rating
- t_{RR} 60nS Max.

Electrical Characteristics

Average forward current	I _{F(AV)} 1.0 Amps	T _L = 110°C, Square wave, R _{θJL} = 15°C/W, L = 1/4"
Maximum surge current	I _{FSM} 25 Amps	8.3ms, half sine, T _J = 175°C
Max peak forward voltage	V _{FM} .89 Volts	I _{FM} = 0.1A: T _J = 25°C*
Max peak forward voltage	V _{FM} 1.2 Volts	I _{FM} = 1.0A: T _J = 25°C*
Max reverse recovery time	t _{RR} 60 nS	1/2A, 1A, 1/4A, T _J = 25°C
Max peak reverse current	I _{RM} 20 μA	V _R = 10V, T _J = 25°C
Typical junction capacitance	C _J 5.5 pF	V _{RRM} , T _J = 25°C

*Pulse test: Pulse width 300 μsec, Duty cycle 2%

Thermal and Mechanical Characteristics

Storage temperature range	T _{STG}	-55°C to 175°C
Operating junction temp range	T _J	-55°C to 175°C
Maximum thermal resistance	L = 1/4" R _{θJL}	15°C/W Junction to Lead
Weight		.011 ounces (0.34 grams) typical

5-1-03 Rev. 3

UF160 — UF180

Figure 1
Typical Forward Characteristics

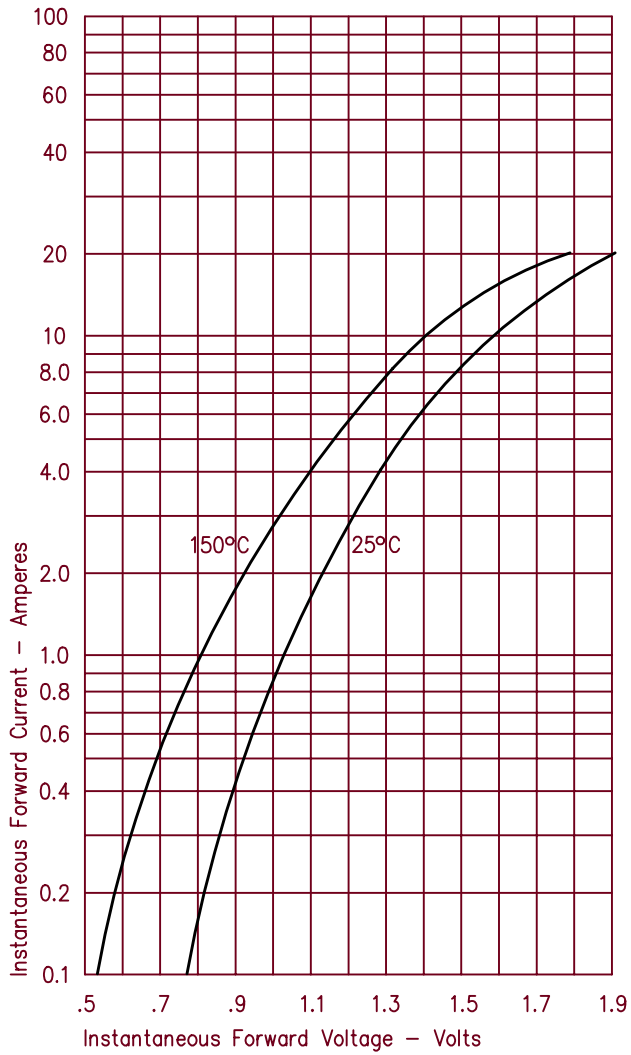


Figure 3
Typical Junction Capacitance

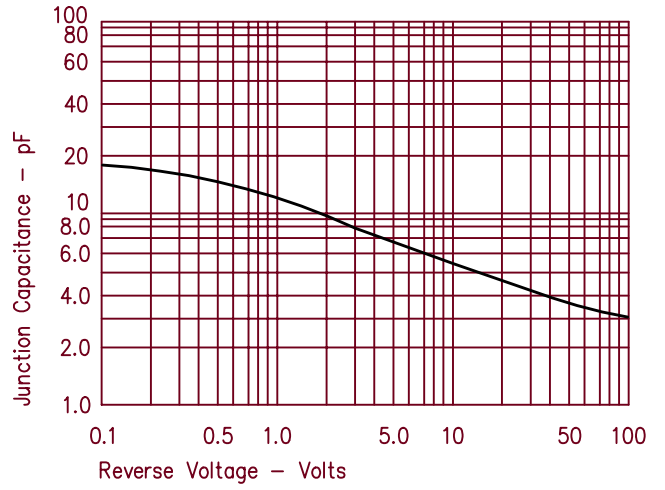


Figure 2
Typical Reverse Characteristics

