



# STEVAL-IFP008V1

## Demonstration board for the CLT3-4B current limited termination

Data Brief

### Features

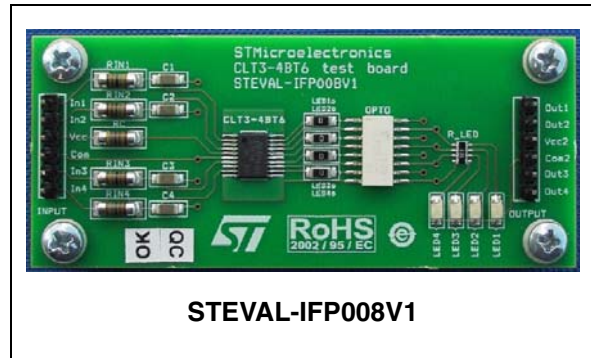
- For IEC61131-2 type 1 and 3 inputs
- 4 input channel topology
- Fully integrated internally fixed current limiter
- Optocoupler output drive
- Wide range supply voltage and temperature operation

### Description

The CLT3-4B is a quadruple logic input termination for sensor or mechanical switch interfaces. It is designed to work in 24 VDC applications such as PLCs (programmable logic controllers), PACs (programmable automation controllers) and distributed I/O systems used in factory automation.

The device optimizes the input VI characteristic to reduce its power dissipation. This becomes critical when the application cabinet or housing requires higher protection levels such as IP65 and IP67. These closed cabinets are used in various automated lines including the food and chemical industry.

The power dissipated inside the module is very limited as there is usually no air circulation inside the box. The current limitation also reduces the power losses in the sensor.



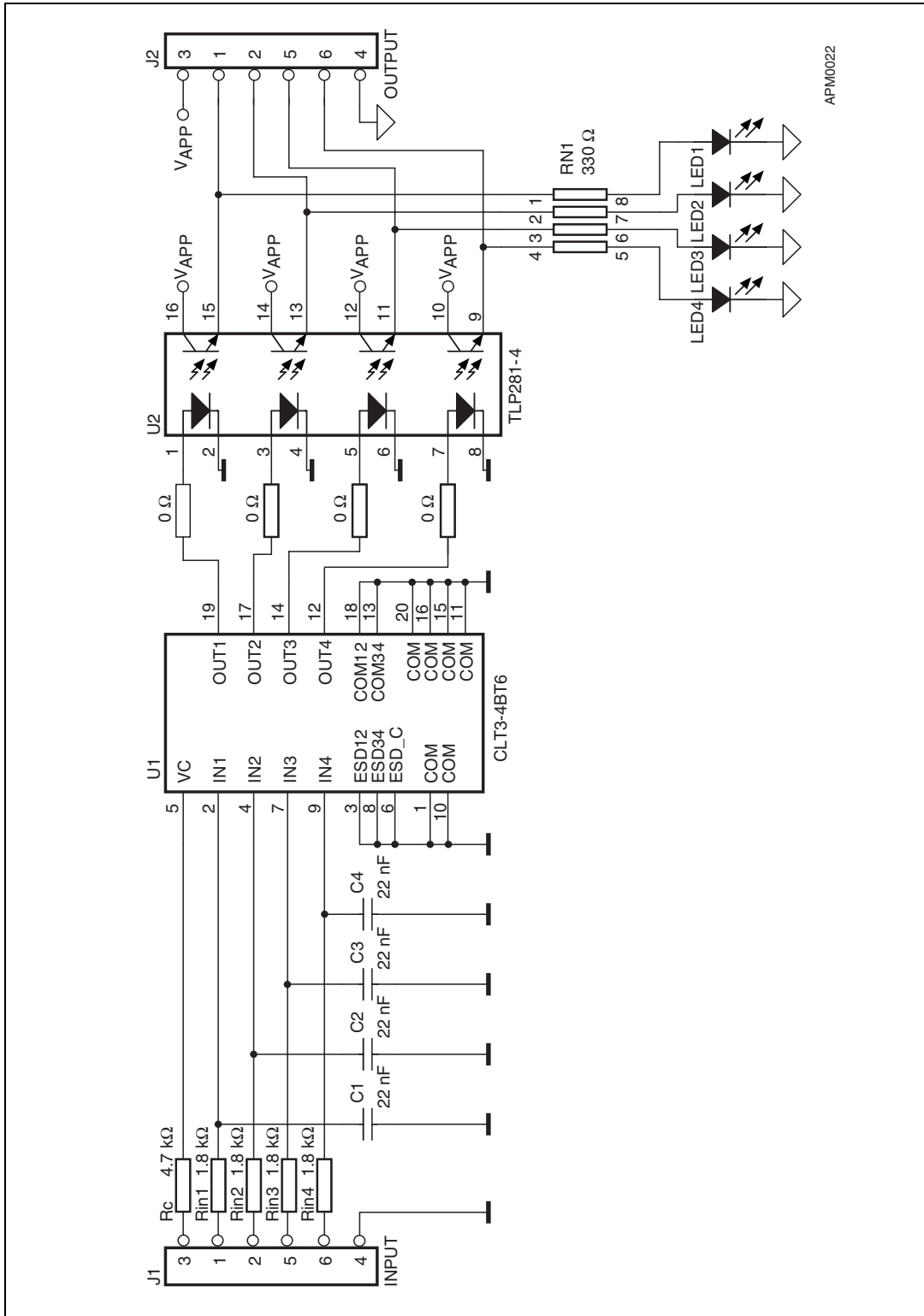
STEVAL-IFP008V1

The most important aspect of the CLT3-4B is the electrical protection and susceptibility it brings to the application. The CLT3-4B implements efficient protection diodes on each input and supply voltage line. Serial resistors ensure a higher level of susceptibility of the entire input module.

Thanks to its compact TSSOP20 package CLT3-4B device occupies very little space on the PCB compared to an equivalent discrete solution.

# 1 Block diagram

Figure 1. Schematic



APM0022

## 2 Revision history

Table 1. Document revision history

Date	Revision	Changes
27-May-2008	1	Initial release.

**Please Read Carefully:**

Information in this document is provided solely in connection with ST products. STMicroelectronics NV and its subsidiaries ("ST") reserve the right to make changes, corrections, modifications or improvements, to this document, and the products and services described herein at any time, without notice.

All ST products are sold pursuant to ST's terms and conditions of sale.

Purchasers are solely responsible for the choice, selection and use of the ST products and services described herein, and ST assumes no liability whatsoever relating to the choice, selection or use of the ST products and services described herein.

No license, express or implied, by estoppel or otherwise, to any intellectual property rights is granted under this document. If any part of this document refers to any third party products or services it shall not be deemed a license grant by ST for the use of such third party products or services, or any intellectual property contained therein or considered as a warranty covering the use in any manner whatsoever of such third party products or services or any intellectual property contained therein.

**UNLESS OTHERWISE SET FORTH IN ST'S TERMS AND CONDITIONS OF SALE ST DISCLAIMS ANY EXPRESS OR IMPLIED WARRANTY WITH RESPECT TO THE USE AND/OR SALE OF ST PRODUCTS INCLUDING WITHOUT LIMITATION IMPLIED WARRANTIES OF MERCHANTABILITY, FITNESS FOR A PARTICULAR PURPOSE (AND THEIR EQUIVALENTS UNDER THE LAWS OF ANY JURISDICTION), OR INFRINGEMENT OF ANY PATENT, COPYRIGHT OR OTHER INTELLECTUAL PROPERTY RIGHT.**

**UNLESS EXPRESSLY APPROVED IN WRITING BY AN AUTHORIZED ST REPRESENTATIVE, ST PRODUCTS ARE NOT RECOMMENDED, AUTHORIZED OR WARRANTED FOR USE IN MILITARY, AIR CRAFT, SPACE, LIFE SAVING, OR LIFE SUSTAINING APPLICATIONS, NOR IN PRODUCTS OR SYSTEMS WHERE FAILURE OR MALFUNCTION MAY RESULT IN PERSONAL INJURY, DEATH, OR SEVERE PROPERTY OR ENVIRONMENTAL DAMAGE. ST PRODUCTS WHICH ARE NOT SPECIFIED AS "AUTOMOTIVE GRADE" MAY ONLY BE USED IN AUTOMOTIVE APPLICATIONS AT USER'S OWN RISK.**

Resale of ST products with provisions different from the statements and/or technical features set forth in this document shall immediately void any warranty granted by ST for the ST product or service described herein and shall not create or extend in any manner whatsoever, any liability of ST.

ST and the ST logo are trademarks or registered trademarks of ST in various countries.

Information in this document supersedes and replaces all information previously supplied.

The ST logo is a registered trademark of STMicroelectronics. All other names are the property of their respective owners.

© 2008 STMicroelectronics - All rights reserved

STMicroelectronics group of companies

Australia - Belgium - Brazil - Canada - China - Czech Republic - Finland - France - Germany - Hong Kong - India - Israel - Italy - Japan - Malaysia - Malta - Morocco - Singapore - Spain - Sweden - Switzerland - United Kingdom - United States of America

[www.st.com](http://www.st.com)