

PLEASE CHECK WWW.MOLEX.COM FOR LATEST PART INFORMATION

Part Number: [0357303010](#)
Status: **Active**
Description: 3.96mm (.156") Diameter Pin Terminal, Brass, 0.50mm (.020") Thickness, Wire Range 14-20 AWG (2.00-0.52mm²), Post-Tin Plated

Documents:

[Drawing \(PDF\)](#) [RoHS Certificate of Compliance \(PDF\)](#)
[Product Specification PS-35730-001 \(PDF\)](#)

General

Product Family	Crimp Terminals
Series	35730
Crimp Quality Equipment	Yes
Product Name	N/A

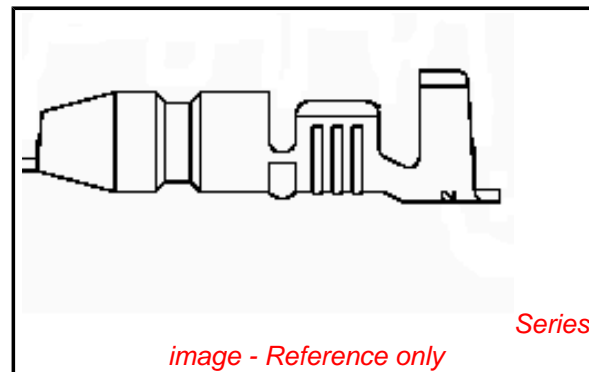
Physical

Gender	Male
Material - Metal	Brass
Material - Plating Mating	Tin
Material - Plating Termination	Tin
Packaging Type	Reel
Plating min: Mating (µin)	40
Plating min: Mating (µm)	1
Plating min: Termination (µin)	30
Plating min: Termination (µm)	1
Termination Interface: Style	Crimp or Compression
Wire Insulation Diameter	3.50mm (.138") max.
Wire Size AWG	14, 16, 18, 20
Wire Size mm ²	N/A

Material Info

Reference - Drawing Numbers

Product Specification	PS-35730-001
Sales Drawing	SD-35730-30*0



EU RoHS

**ELV and RoHS
Compliant**
**REACH SVHC
Contains SVHC: No**
**Halogen-Free
Status**
Halogen-Free

China RoHS



**Need more information on product
environmental compliance?**

Email productcompliance@molex.com
For a multiple part number RoHS Certificate of Compliance, [click here](#)

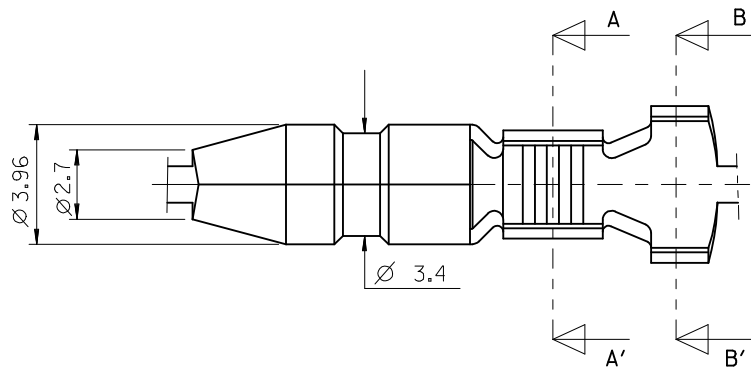
Please visit the [Contact Us](#) section for any non-product compliance questions.

Search Parts in this Series

[35730Series](#)

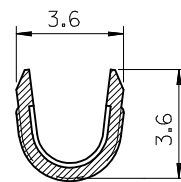
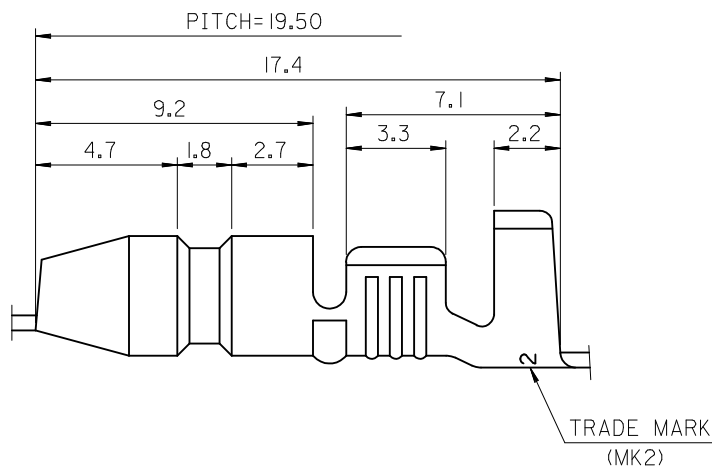
Mates With

[35730-31x0](#)

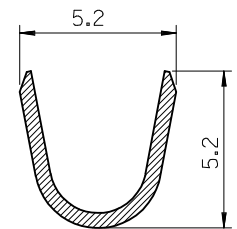


NOTES

1. MATERIAL : BRASS
2. FINISH : 35730-3000 : UNPLATED
 ◎ 35730-3010 : TIN PLATED
 1.0 μm MIN. TIN PLATING
 OVERALL 0.3~0.8μm COPPER PLATING
3. PRODUCT SPECIFICATION : PS-35730-001
4. MATES WITH : 35730-31*0
5. APPLICABLE WIRE RANGE : AWG #20~#14



SECTION A-A'



SECTION B-B'

REVISED EC NO: KOR2009-0115 DRWN: JHPARK01 2009/01/29 CHKD: W. YANG 2009/01/29 APPR: YUNSIKKIM 2009/01/29	DESCRIPTION REV	QUALITY SYMBOLS	GENERAL TOLERANCES (UNLESS SPECIFIED)	DIMENSION STYLE	SCALE	DESIGN UNITS	THIRD ANGLE PROJECTION																		
		$\nabla=0$ $\nabla=C=0$	<table border="1"> <thead> <tr> <th></th> <th>mm</th> <th>INCH</th> </tr> </thead> <tbody> <tr> <td>4 PLACES</td> <td>±---</td> <td>±---</td> </tr> <tr> <td>3 PLACES</td> <td>±---</td> <td>±---</td> </tr> <tr> <td>2 PLACES</td> <td>±0.20</td> <td>±---</td> </tr> <tr> <td>1 PLACE</td> <td>±0.30</td> <td>±---</td> </tr> <tr> <td colspan="3">ANGULAR ±---°</td> </tr> </tbody> </table>		mm	INCH	4 PLACES	±---	±---	3 PLACES	±---	±---	2 PLACES	±0.20	±---	1 PLACE	±0.30	±---	ANGULAR ±---°			MM ONLY	6:1	METRIC	
			mm	INCH																					
		4 PLACES	±---	±---																					
3 PLACES	±---	±---																							
2 PLACES	±0.20	±---																							
1 PLACE	±0.30	±---																							
ANGULAR ±---°																									
DRAFT WHERE APPLICABLE MUST REMAIN WITHIN DIMENSIONS	<table border="1"> <tr> <td>DRAWN BY</td> <td>DATE</td> </tr> <tr> <td>JS. KANG</td> <td>1993/06/11</td> </tr> <tr> <td>CHECKED BY</td> <td>DATE</td> </tr> <tr> <td>BK. CHOI</td> <td>1993/06/11</td> </tr> <tr> <td>APPROVED BY</td> <td>DATE</td> </tr> <tr> <td>CW. LEE</td> <td>1993/06/11</td> </tr> </table>	DRAWN BY	DATE	JS. KANG	1993/06/11	CHECKED BY	DATE	BK. CHOI	1993/06/11	APPROVED BY	DATE	CW. LEE	1993/06/11	TITLE	3.96 PIN TERMINAL										
DRAWN BY	DATE																								
JS. KANG	1993/06/11																								
CHECKED BY	DATE																								
BK. CHOI	1993/06/11																								
APPROVED BY	DATE																								
CW. LEE	1993/06/11																								
		SEE NOTES	MOLEX INCORPORATED	DOCUMENT NO.	SD-35730-30*0	SHEET NO.	1 OF 01																		