



SmartMesh® IP LTC5800-IPR

2.4 GHz 802.15.4 Eterna™ Embedded Network Manager-on-Chip

About SmartMesh IP

Dust Networks' new standards-based SmartMesh® IP product line achieves unsurpassed levels of networking resilience and reliability, with advanced network management and comprehensive security. Based on Dust's breakthrough Eterna™ SoC technology, SmartMesh IP enables up to 8 times lower power consumption than competing solutions even in harsh, dynamically changing RF environments. Cost effective, IP (Internet Protocol) compatible, and widely applicable, SmartMesh IP serves an extensive range of applications, such as energy management, building automation, renewable energy, and other implementations in smart infrastructure that call for ultra low power..

Product Descriptions – LTC5800-IPR

Based on the IETF 6LoWPAN and IEEE 802.15.4e Standards, the LTC5800-IPR SmartMesh IP embedded network manager-on-chip anchors the SmartMesh IP product line. It serves not only as a wireless-to-wired access point, but more importantly provides the core networking functionality, enabling the network to achieve unsurpassed levels of resiliency, reliability, and scalability. The LTC5800-IPR continuously optimizes the network and provides robustness in the face of constantly changing RF environments. Furthermore, the network manager's load balancing algorithms add more bandwidth for the busiest motes while maintaining traffic flow for the rest of the network.

The LTC5800-IPR combines Dust Networks' robust sensor networking solution with Dust's breakthrough Eterna™ SoC Technology in an easy-to-integrate 72-pin 10 mm x 10 mm QFN package. As part of the SmartMesh IP system, the LTC5800-IPR enables customers to integrate a standards-based wireless network into sensors and actuators to provide scalable bidirectional communications.

The manager offers a comprehensive application programming interface (API) via a UART interface, providing full visibility and control over network configuration, security administration, network status, and performance statistics. The LTC5800-IPR integrates all radio circuitry components and requires only an AC coupling capacitor and an antenna for robust wireless connectivity. With its combination of low power, compact easy-to-integrate form factor, and sophisticated network management, the LTC5800-IPR embedded network manager is ideally suited for deploying resilient, reliable mesh networks in a wide variety of environments and applications.

Key Product Features

SmartMesh IP Mesh Networking Performance

- Advanced network management—dynamically optimizes mesh connectivity based on the changing RF environment
- Load balancing & optimization—adds bandwidth for the busiest motes while maintaining normal traffic flow for the rest of network
- Intelligent power management—balances traffic so that power consumption is also balanced within the network
- Battery powered routers
- Auto-forming, self-healing, self-sustaining—automatically configures and maintains the network without requiring on-site wireless expertise.
- Compact manager design manages networks up to 32 motes

Time Synchronized Mesh Networking

- Zero collision packet exchange—for scalability and efficiency
- Time-synchronized channel hopping seamlessly compensates for in band blocking and multipath fading in dynamic RF environments
- Highly Accurate Time Stamping

Full Application Flexibility

- Dynamic bandwidth—creates temporary high bandwidth “pipes”
- Low latency mode—mode for fastest packet transfer Industry-leading radio technology capable of line-powered, battery-powered, or energy-scavenging operation

Ultra-low Power Operation

- Industry-leading radio technology capable of line-powered, battery-powered, or energy-scavenging operation

IP Standards Compliance

- Compliant to IETF 6LoWPAN and IEEE 802.15.4e standards

Easy to Integrate and Deploy

- Fully engineered RF transceiver, with power amplifier (PA), integrated balun, and antenna matching circuitry
- Comprehensive APIs provide a rich and flexible functionality to ease software development and device integration

Secure Global Market Solution

- Operates on 2.4 GHz global license-free band, providing customers with a single product for world-wide use
- AES-128 bit encryption



Table of Contents

1.0 General4

1.1 Related Documentation 4

1.2 Conventions..... 4

1.2.1 Signal Naming..... 4

1.2.2 Number Format 4

2.0 Introduction.....5

2.1 Power Supply..... 5

2.1.1 Supply Monitoring and Reset 6

2.2 Precision Timing 6

2.2.1 Time Synchronization 6

2.3 Time References..... 6

2.3.1 Relaxation Oscillator..... 6

2.3.2 32.768 kHz Crystal 6

2.3.3 20 MHz Crystal 6

2.4 Radio..... 6

2.5 UARTs..... 7

2.5.2 API UART Protocol..... 7

2.5.3 CLI UART 8

2.6 Autonomous MAC 8

2.7 Security 8

2.8 Temperature Sensor 8

2.8.1 Radio Inhibit 8

2.8.2 Sleep 9

2.10 Flash Programming..... 9

3.0 SmartMesh Intelligent Networking Platform.....9

3.1 Dynamic Network Optimization..... 9

3.2 Deterministic Power Management 9

3.3 Intelligent Routing..... 9

3.4 Bandwidth Flexibility 9

4.0 Operation10

4.1 Start Up.....10

4.1.1 Fuse Table10

4.2 Serial Flash Emulation.....11

4.3 Operation.....11

4.3.1 Active State11

4.3.2 Doze State.....11

4.4 Duty Cycling and Autonomous Peripherals.....11

5.0 Pinout12

5.1 Eterna Mote-on-Chip.....12

5.3 Power Supply.....14

5.3.1 Antenna	14
5.5 JTAG.....	14
6.0 Absolute Maximum Ratings	15
7.0 Recommended Operating Conditions.....	16
8.0 Electrical Characteristics	16
8.1 Radio Specifications	16
8.2 DC Characteristics	16
8.3 Radio Receive Characteristics	17
8.4 Radio Transmitter Characteristics.....	18
8.5 Digital I/O Characteristics	18
8.6 Temperature Sensor Characteristics	19
8.8 System Characteristics	19
8.9 UART AC Characteristics	19
8.10 TIMEn AC Characteristics	20
8.11 SLEEPn AC Characteristics	21
8.12 RADIO_INHIBIT AC Characteristics.....	21
8.13 FLASH AC Characteristics.....	22
8.14 Flash Programming AC Characteristics	22
9.0 Typical Performance Characteristics	23
10.0 Mechanical Details	25
10.1 Mote-on-Chip.....	25
10.3 Soldering Information	25
11.0 Regulatory and Standards Compliance.....	25
11.1 Compliance to Restriction of Hazardous Substances (RoHS)	25
12.0 References	26
13.0 Order Information.....	26

1.0 General

1.1 Related Documentation

- 040-0102 Eterna Integration Guide
- 040-0109 Design Specific Configuration Guide
- 040-0110 Eterna Serial Programmer Guide

1.2 Conventions

1.2.1 Signal Naming

The naming convention for Eterna signals is UPPER_CASE_SEPARATED_BY_UNDERSCORE. Active-low signals, such as RESETn, add a trailing lower case n. An exception to the naming convention is UART transmit and receive signals which are named consistent with industry practice as RX and TX, omitting the lower case n, despite being active low signals. The terms assertion and active refers to a signal in a logically true state: logic '1' for active high signals and logic '0' for active low signals. The terms negated and inactive refer to a signal being in its logically false state: logic '0' for active high signals and logic '1' for active low signals.

1.2.2 Number Format

The **0x** prefix indicates a hexadecimal number follows.

The **0b** prefix indicates a binary number follows.

The lack of a prefix indicates a decimal number follows.

2.0 Introduction

Eterna is the world’s most energy-efficient IEEE 802.15.4 compliant platform enabling battery and energy harvested endpoint, routing and network management solutions. With a powerful 32-bit ARM® Cortex™-M3, best in class radio, flash, RAM and purpose-built peripherals, Eterna provides a flexible, scalable and robust networking solution for applications demanding both minimal energy consumption and data reliability in even the most challenging RF environments.

Shown in Figure 1, Eterna integrates purpose-built peripherals that excel in both low operating-energy consumption and the ability to rapidly and precisely cycle between operating and low-power states. Items in the shaded region correspond to the analog/RF components.

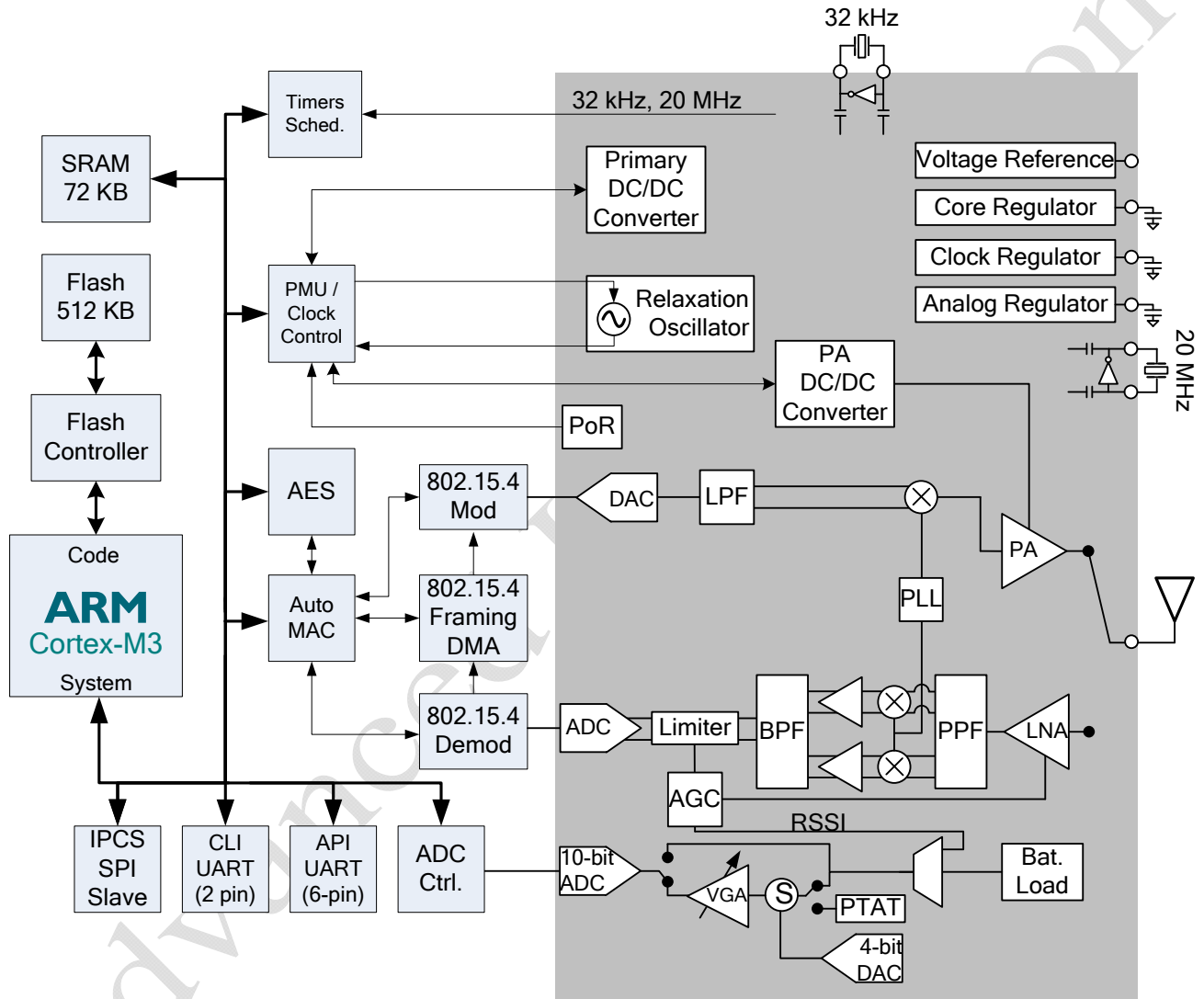


Figure 1 Eterna Block Diagram

2.1 Power Supply

Eterna is powered from a single pin, VSUPPLY, which powers the I/O cells and is also used to generate internal supplies. Eterna’s two on-chip DC/DC converters minimize Eterna’s energy consumption while the device is awake. To prevent power from being wasted the DC/DC converter is disabled when the device is in low-power state. Eterna’s rejection of supply noise is substantial owing to the two integrated DC/DC converters and three integrated low-dropout regulators. Eterna’s operating supply range is high enough to support direct connection to Li-SCIO₂ sources and wide enough to support battery operation over a broad temperature range.

2.1.1 Supply Monitoring and Reset

Eterna integrates an Power on Reset (PoR) circuit and as the RESETn input pin is nominally configured with an internal pull-up resistor, thus no connection is required. For a graceful shutdown, the software and networking layers be cleanly halted prior to assertion of the RESETn pin. Eterna includes a soft brown-out monitor that fully protects the Flash from corruption in the event that power is removed while writing to flash. Integrated flash supervisory functionality in conjunction with *** (do we do a JFS?) yields a robust non-volatile file system.

2.2 Precision Timing

Eterna, differs from competing 802.15.4 product offerings by providing low-power dedicated timing hardware and timing algorithms that provide timing precision two to three orders of magnitude better than any other available low-power solution. Improved timing accuracy allows motes to minimize the amount of radio listening time required to ensure packet reception thereby lowering even further the power consumed by an Eterna network. Eterna's patented timing hardware and timing algorithms provide superior performance over rapid temperature changes, further differentiating Eterna's reliability when compared with other wireless products. In addition, precise timing enables networks to reduce spectral dead time, increasing total network throughput.

2.2.1 Time Synchronization

In addition to coordinating timeslots across the network, which is transparent to the user, Eterna's unparalleled timing management is used to support two mechanisms to share network time. Having an accurate, shared, network-wide time base enables events to be accurately time stamped or tasks to be performed in a synchronized fashion across a network. Eterna will send a time packet through its serial interface when one of the following occurs:

- Eterna receives an HDLC request to read time
- The TIMEn signal is asserted

The use of TIMEn has the advantage of being more accurate. The value of the timestamp is captured in hardware relative to the rising edge of TIMEn. If the HDLC request is used, due to packet processing the value of the timestamp may be captured several milliseconds after receipt of the packet. See Section 8.10 for the time functions definition and specifications.

2.3 Time References

Eterna includes three clock sources: a low power oscillator designed for a 32.768 kHz crystal, the radio reference oscillator designed for a 20 MHz crystal, and an internal relaxation oscillator.

2.3.1 Relaxation Oscillator

The relaxation oscillator is the primary clock source for Eterna, providing the clock for the CPU, memory subsystems, and all peripherals. The internal relaxation oscillator typically starts up in a few μ s, providing an expedient, low-energy method for duty cycling between active and low power states. Quick start-up from the doze state, defined in section 4.0, allows Eterna to wake up and receive data over the UART and SPI interfaces by simply by detecting activity the appropriate signals.

2.3.2 32.768 kHz Crystal

Once Eterna is powered up and the 32.768 kHz crystal source has begun oscillating, the 32.768 kHz crystal remains operational while in the Active state, and is used as the timing basis when in Doze state. See Section 4.0 for a description of Eterna's operational states.

2.3.3 20 MHz Crystal

The 20 MHz crystal source provides a frequency reference for the radio, and is automatically enabled and disabled by Eterna as needed.

2.4 Radio

Eterna is the lowest-power commercially available 2.4 GHz IEEE 802.15.4e radio by a substantial margin. (Please refer to section 8.2 for power consumption numbers.). Eterna's integrated power amplifier is calibrated and temperature-compensated to consistently provide power at a limit suitable for worldwide radio certifications. Additionally, Eterna uniquely includes a

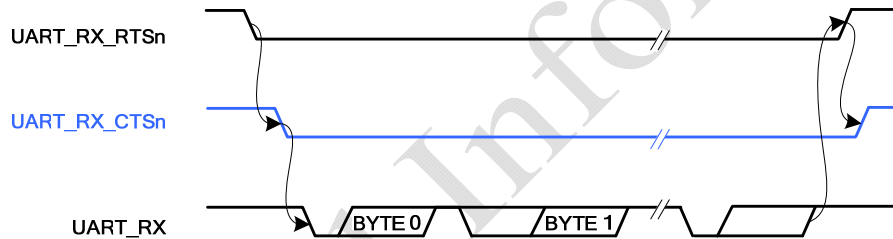
hardware-based autonomous MAC that handles precise sequencing of peripherals, including the transmitter, the receiver, and AES peripherals. The hardware-based autonomous MAC minimizes CPU activity, thereby further decreasing power consumption.

2.5 UARTs

The principal network interface is through the application programming interface (API) UART. A command-line interface (CLI) is also provided for support of test and debug functions. Both UARTs sense activity continuously, consuming virtually no power until data is transferred over the port and then automatically returning to their lowest power state after the conclusion of a transfer.

2.5.2 API UART Protocol

Eterna's API UART operates in Mode 4, incorporating optional flow control, at 115200 baud. Packets are HDLC encoded with one stop bit and no parity bits. The flow control signals for Eterna's API receive path are shown in Figure 5. If the flow control signals are used (recommended) transfers are initiated from a companion processor by asserting `UART_RX_RTSn`. Eterna responds by asserting `UART_RX_CTSn`. If flow control is used, after detecting the assertion of `UART_RX_CTSn` the companion processor may send the entire packet. Following the transmission of the final byte in the packet the companion processor negates `UART_RX_RTSn` and waits until the negation of `UART_RX_CTSn` before asserting `UART_RX_RTSn` again. Flow control automatically ensures compliance with inter-packet delay requirements, so explicit delay-checking is not required.



If flow control is not desired or needed it may be disabled by tying `UART_RX_RTSn` high. When flow control is not used the companion processor may send the entire packet; in this case the companion processor must comply with the minimum inter-packet delay as defined in section 8.9.

Figure 5 UART Mode 4 Receive Flow Control

UART Mode 4 also incorporates level-sensitive flow control for Eterna UART transmissions on the UART TX pin. Packets are HDLC encoded with one stop bit and no parity bits. The flow control signals for TX are shown in Figure 6. A transfer request is signaled by Eterna device asserting `UART_TX_RTSn`. The `UART_TX_CTSn` signal may be actively driven by the companion processor when it is ready to receive a packet or it may be tied low if the companion processor will always be ready to receive a packet. After detecting a logic '0' on `UART_TX_CTSn` Eterna sends the entire packet. Following the transmission of the final byte in the packet Eterna negates `UART_TX_RTSn` and waits for a minimum period (what is the period called?) defined in section 8.9 before asserting `UART_TX_RTSn` again (if a packet needs to be transmitted)

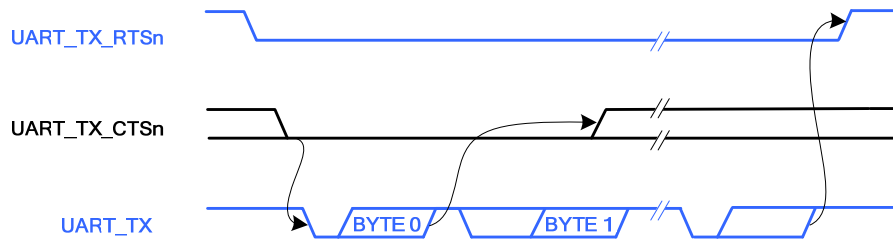


Figure 6 UART Mode 4 Transmit Flow Control

For details on the timing of the UART protocol, see section 8.9 (UART AC Characteristics).

2.5.3 CLI UART

The Command Line Interface (CLI) UART port is a two wire protocol (TX and RX) that operates at a fixed 9600 baud rate with one-stop bit and no parity. The CLI UART interface is intended to support command-line instructions and response activity.

2.6 Autonomous MAC

Eterna was designed as a system solution with the objective of providing a reliable, ultra-low power, and secure network. A reliable network capable of dynamically optimizing operation over changing environments requires solutions that are far too complex to completely support through hardware acceleration alone. As described in Section 2.2, proper time management is essential for optimizing a solution that is both low power and reliable. To address this solution Eterna includes the Autonomous MAC, which includes hardware support for controlling all of the time-critical radio operations. The Autonomous MAC provides two benefits: first, preventing variable software latency from affecting network timing and second, greatly reducing system power consumption by allowing the CPU to remain inactive during the majority of the radio activity. The Autonomous MAC, unique to Eterna, provides software-independent timing control of the radio and radio-related functions, resulting in superior reliability and exceptionally low power.

2.7 Security

Network security is an often overlooked component of a complete network solution. Proper implementation of security protocols is significant in terms of both engineering effort and market value in an OEM product. Eterna system solutions provide a FIPS-197 validated encryption scheme, and goes further, providing a complete set of mechanisms to protect network security. Eterna includes hardware support for electronically locking devices, thereby preventing access to Eterna's flash and RAM memory. This lock-out feature provides a means to securely unlock a device should support of a product require access. For details see 040-0109 Design Specific Configuration Guide.

2.8 Temperature Sensor

Eterna includes a calibrated temperature sensor on chip. The temperature readings are available locally through Eterna's serial API, in addition to being available via the network manager. The performance characteristics of the temperature sensor can be found in Section 8.6.

2.8.1 Radio Inhibit

The RADIO_INHIBIT digital interrupt enables an external controller to temporarily disable the radio software drivers (for example, to take a sensor reading that is susceptible to radio interference). When RADIO_INHIBIT is asserted the software radio drivers will disallow radio operations including clear channel assessment, packet transmits, or packet receipts. If a radio event is in progress radio inhibit will take effect after the present operation completes. For details on the timing associated with RADIO_INHIBIT, see Section 8.12.

2.8.2 Sleep

The SLEEPn digital interrupt enables an external controller to temporarily disable Eterna's duty cycling between active and Doze states (see Section 4.0 for state definitions). Forcing Eterna to the Doze state should only be done when absolutely necessary, such as when taking a very sensitive sensor reading, as forcing a device into a Doze state will on the average increase the energy consumption of other devices in the network. When SLEEPn is asserted the software will go into a Doze state until the SLEEPn signal is negated. For details on the timing associated with SLEEPn, see Section 8.11.

2.10 Flash Programming

Eterna's software images are loaded via the IPCS, in-circuit programming control system, SPI interface. Sequencing of RESETn and FLASH_P_ENn, as described in Section 4.0, places Eterna in a state emulating a serial flash to support in-circuit programming. Hardware and software for supporting development and production programming of devices is described in 040-0110 Eterna Serial Programmer Guide. The serial protocol, SPI, and timing parameters are described in Section 8.13.

3.0 SmartMesh Intelligent Networking Platform

The SmartMesh Eterna network manager is built upon Dust Networks' Intelligent Networking Platform, which provides dynamic network optimization, deterministic power management, intelligent routing, and bandwidth flexibility to achieve the carrier class data reliability, and ultra-low power and ease of use required for industrial automation applications.

3.1 Dynamic Network Optimization

Dynamic network optimization allows Eterna to address the changing RF requirements in harsh industrial environments resulting in a network that is continuously self-monitoring and self-adjusting. The manager performs dynamic network optimization based upon periodic reports on network health and link quality that it receives from the network nodes. The manager uses this information to provide performance statistics to the application layer and proactively solve problems in the network. Dynamic network optimization not only maintains network health, but also allows Eterna to deliver deterministic power management.

3.2 Deterministic Power Management

Deterministic power management balances traffic in the network by diverting traffic around heavily loaded nodes (for example, nodes with high reporting rates). In doing so, it reduces power consumption for these nodes and balances power consumption across the network. Deterministic power management provides predictable maintenance schedules to prevent down time and lower the cost of network ownership. When combined with field devices using Eterna's industry-leading low power radio technology, deterministic power management enables over a decade of battery life for network nodes.

3.3 Intelligent Routing

Intelligent routing provides each packet with an optimal path through the network. The shortest distance between two points is a straight line, but in RF the quickest path is not always the one with the fewest hops. Intelligent routing finds optimal paths by considering the link quality (one path may lose more packets than another) and the retry schedule, in addition to the number of hops. The result is reduced network power consumption, elimination of in-network collisions, and unmatched network scalability and reliability.

3.4 Bandwidth Flexibility

Efficient use of network resources enables Dust Networks to deliver bandwidth flexibility—the ability to assign different levels of bandwidth to satisfy unique throughput and latency requirements. Bandwidth flexibility addresses the range of latency and throughput needs of industrial automation applications such as request/response, fast file transfer, and alerting.

4.0 Operation

In order to provide capabilities and flexibility in addition to ultra low power, Eterna operates in various states, as shown in Figure 8 and described in this section.

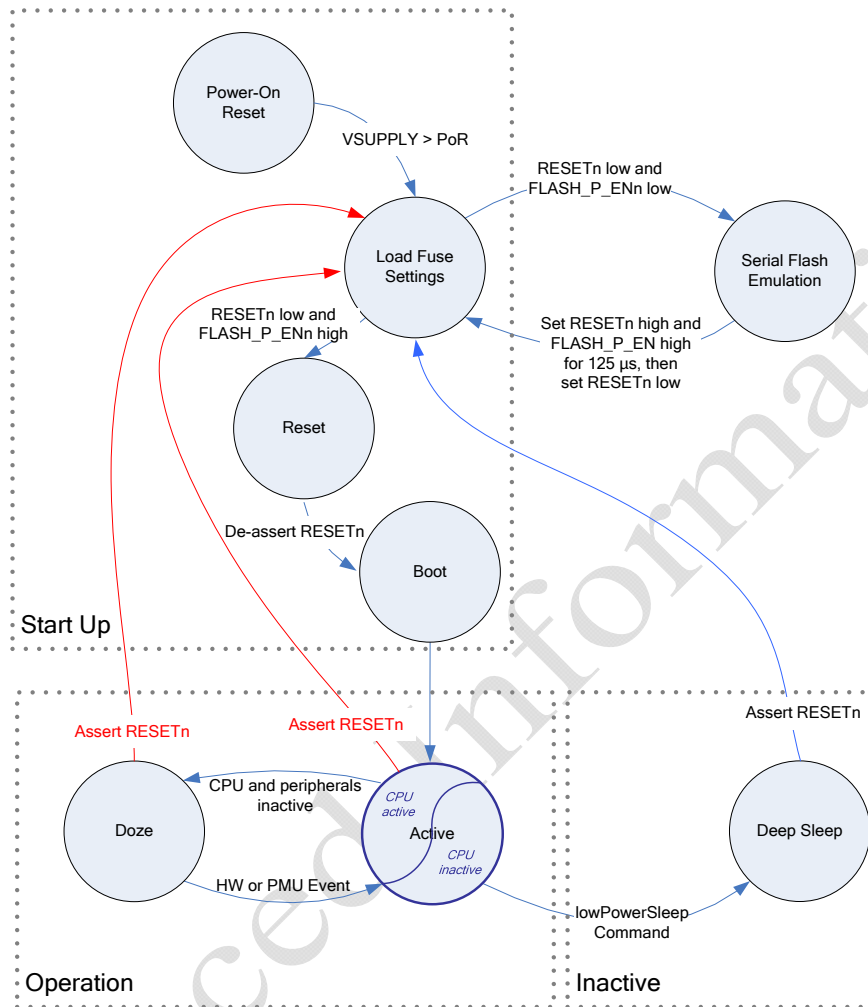


Figure 8 State Diagram – Operating Modes

4.1 Start Up

Start Up occurs as a result of either tripping of the power-on-reset circuit or the assertion of $RESETn$. After the completion of power-on-reset (see Section 2.1.1) or the falling edge of an internally synchronized $RESETn$, Eterna loads its Fuse Table (see section 4.1.1), including setting I/O direction. In this state, Eterna checks the state of the $FLASH_P_ENn$ and $RESETn$ and enters the serial flash emulation mode, if both signals are asserted. If the $FLASH_P_ENn$ pin is not asserted but $RESETn$ is not asserted, Eterna automatically reduces its energy consumption to a minimum until $RESETn$ is released. Once $RESETn$ is de-asserted, Eterna goes through a boot sequence, and then enters the Active state.

4.1.1 Fuse Table

Eterna's Fuse Table is a 2 KB page in flash that contains two data structures, one for hardware configuration immediately following Power on Reset or the assertion of $RESETn$ and one for configuration of design specific parameters. Hardware support for configuration includes configuration of I/O, preventing I/O leakage from negatively affecting current consumption during power on, which can be a significant issue for current limited supplies. Examples of design-specific parameters include setting of UART modes, clock sources and trim values. Fuse Tables are created via the Fuse Table application software described in 040-0109 Design Specific Configuration Guide. Fuse Tables are loaded into flash using the same software and in-circuit programmer used to load Eterna's networking software image – see the 040-0110 Eterna Serial Programmer Guide for details.

4.2 Serial Flash Emulation

When both RESETn and FLASH_P_ENn are asserted, Eterna disables normal operation and enters a mode to emulate the operation of a serial flash. In this mode, its flash can be programmed with software updates. For details, see Section 2.10.

4.3 Operation

Once Eterna has completed startup, Eterna transitions to the Operational group of states (active / CPU active, active / CPU inactive, and Doze). There, Eterna cycles between the various states, automatically selecting the lowest power state possible while fulfilling the demands of network operation.

4.3.1 Active State

In Active state, the Eterna’s relaxation oscillator is running and peripherals are enabled as needed. The ARM Cortex-M3 cycles as needed between CPU-active and CPU-inactive (referred to in the ARM Cortex-M3 literature as “Sleep Now” or “Sleep on Exit” modes). Eterna’s extensive use of DMA and intelligent peripherals that can independently move Eterna between the Active and Doze states minimizes the time the CPU is active, significantly reducing Eterna’s energy consumption.

4.3.2 Doze State

The Doze state consumes orders of magnitude less current than the Active state (see Table 6) and is entered when all of the peripherals, save the low power portion of the timer module, and the CPU are inactive. In the Doze state Eterna’s full state is retained and Eterna is configured to detect, wake, and rapidly respond to activity on I/Os (such as UART signals and the TIMEn pin). The Doze state also uses the 32.768-kHz oscillator and 32 kHz based timers are active.

4.4 Duty Cycling and Autonomous Peripherals

Eterna’s ability to quickly and efficiently transition between Doze and Active states, in conjunction with the ability of peripherals to operate autonomously for most operations (shown in Figure 9), enables the system solution to significantly reduce power consumption. For example the system can automatically go from Doze to Active and determine if RF energy is present. The CPU is then only woken if a packet is detected, otherwise Eterna returns to Doze mode.

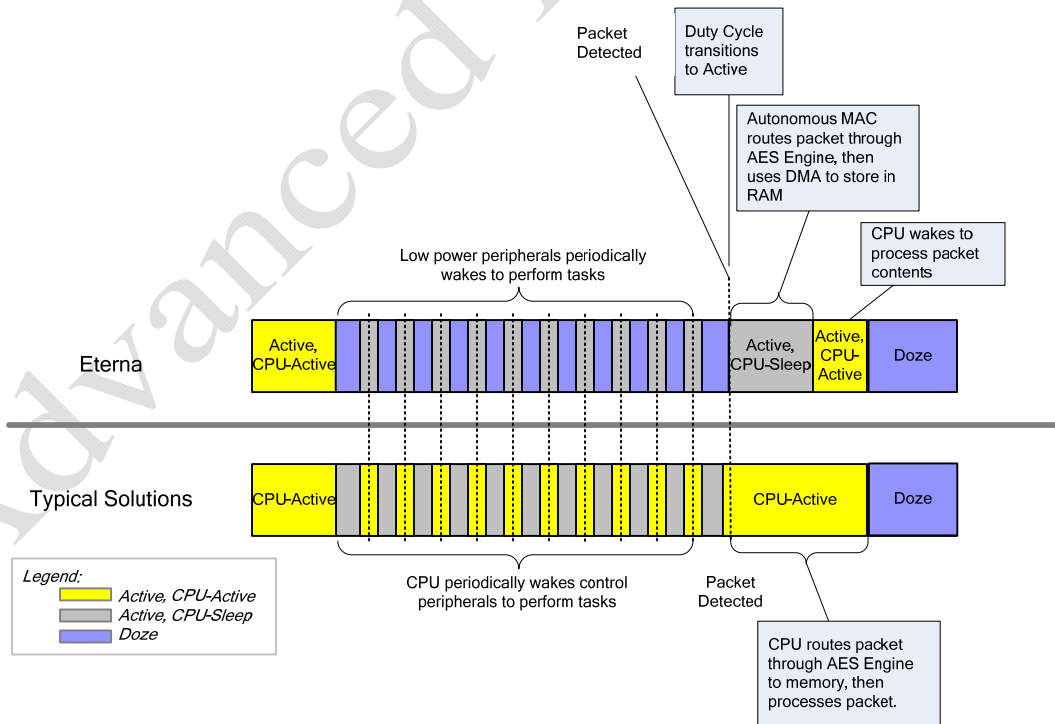


Figure 9 Low Energy Duty Cycling

5.0 Pinout

5.1 Eterna Mote-on-Chip

Figure 10 and Table 1 show the default pinout and pin-assignment for Eterna. For clarity the pins are grouped by function in the pin-assignment table. In some cases, a pin may have multiple possible functions; the behavior is determined by the software application layer.

Note: All unused input pins not configured with a pull resistor (see Pull column in pinout table) must be driven to their inactive state or be configured by the Fuse Table to pull to an inactive state to avoid excess leakage and undesired operation. Leakage due to floating inputs can be substantially greater than Eterna’s average power consumption. Pin functions shown in gray are not currently supported via software.

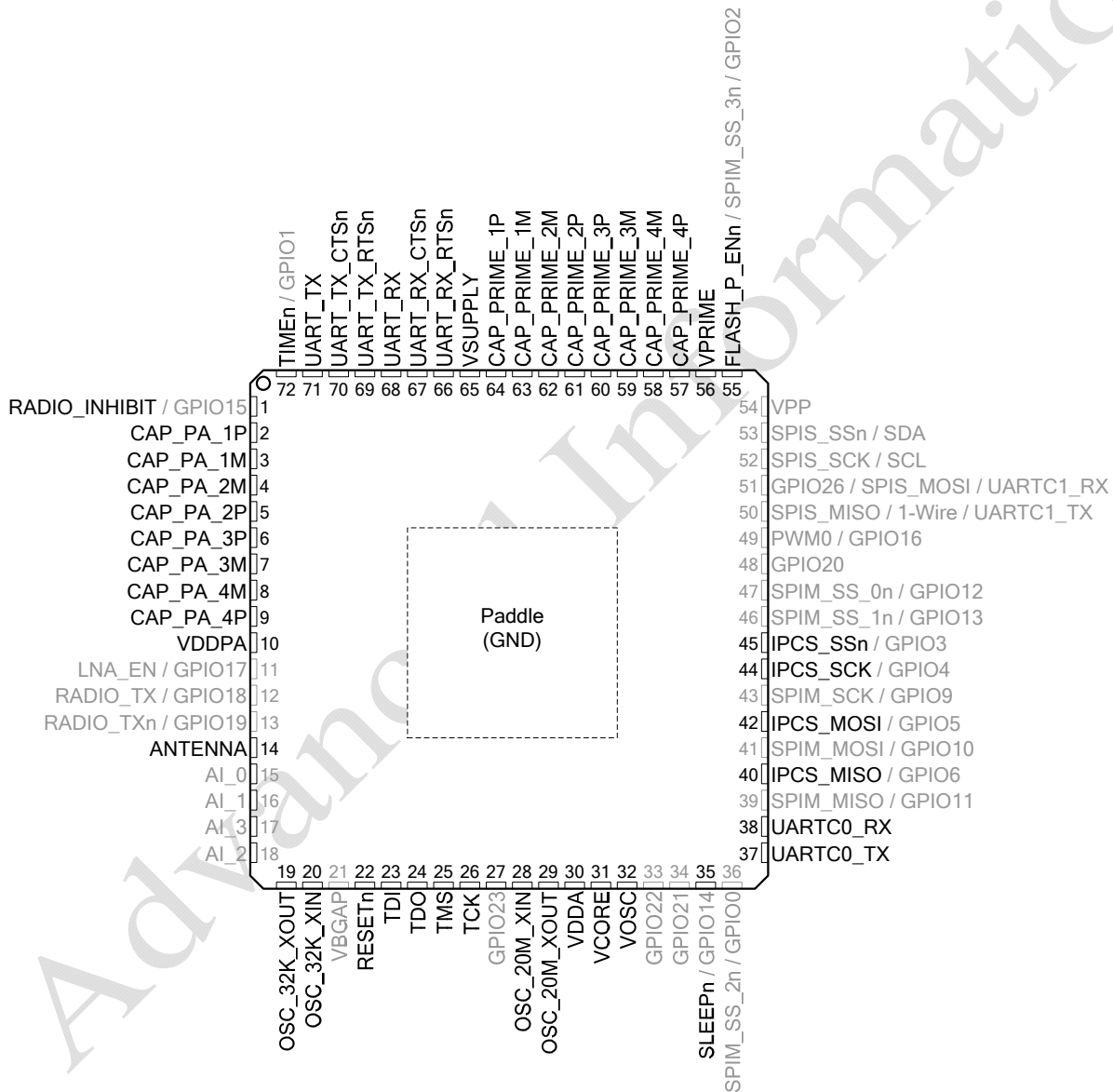


Figure 10 Eterna Mote-on-Chip Pinout – Top View

Table 1 Eterna Mote-on-Chip Pinout Assignments

No	Power Supply	Type	I/O	Pull	Description
P	GND	Power	-	-	Ground connection P = QFN Paddle
2	CAP_PA_1P	Power	-	-	PA DC/DC converter capacitor 1 plus terminal
3	CAP_PA_1M	Power	-	-	PA DC/DC converter capacitor 1 minus terminal
4	CAP_PA_2M	Power	-	-	PA DC/DC converter capacitor 2 minus terminal
5	CAP_PA_2P	Power	-	-	PA DC/DC converter capacitor 2 plus terminal
6	CAP_PA_3P	Power	-	-	PA DC/DC converter capacitor 3 plus terminal
7	CAP_PA_3M	Power	-	-	PA DC/DC converter capacitor 3 minus terminal
8	CAP_PA_4M	Power	-	-	PA DC/DC converter capacitor 4 minus terminal
9	CAP_PA_4P	Power	-	-	PA DC/DC converter capacitor 4 plus terminal
10	VDDPA	Power	-	-	Internal power amplifier power supply
30	VDDA	Power	-	-	Regulated analog supply
31	VCORE	Power	-	-	Regulated core supply
32	VOSC	Power	-	-	Regulated oscillator supply
54	VPP	-	-	-	Test – do not connect
56	VPRIME	Power	-	-	Internal primary core power supply
57	CAP_PRIME_4P	Power	-	-	Primary DC/DC converter capacitor 4 plus terminal
58	CAP_PRIME_4M	Power	-	-	Primary DC/DC converter capacitor 4 minus terminal
59	CAP_PRIME_3M	Power	-	-	Primary DC/DC converter capacitor 3 minus terminal
60	CAP_PRIME_3P	Power	-	-	Primary DC/DC converter capacitor 3 plus terminal
61	CAP_PRIME_2P	Power	-	-	Primary DC/DC converter capacitor 2 plus terminal
62	CAP_PRIME_2M	Power	-	-	Primary DC/DC converter capacitor 2 minus terminal
63	CAP_PRIME_1M	Power	-	-	Primary DC/DC converter capacitor 1 minus terminal
64	CAP_PRIME_1P	Power	-	-	Primary DC/DC converter capacitor 1 plus terminal
65	VSUPPLY	Power	-	-	Power supply input to Eterna
No	Radio	Type	I/O	Pull	Description
1	RADIO_INHIBIT	1*	I	-	Radio Inhibit
14	ANTENNA	-	-	-	Single-ended antenna port
No	Crystals	Type	I/O	Pull	Description
19	OSC_32K_XOUT	Crystal	I	-	32 kHz crystal xout
20	OSC_32K_XIN	Crystal	I	-	32 kHz crystal xin
28	OSC_20M_XIN	Crystal	I	-	20 MHz crystal xin
29	OSC_20M_XOUT	Crystal	I	-	20 MHz crystal xout
No	Reset	Type	I/O	Pull	Description
22	RESETn	1	I	UP	Reset, Input, active low
No	JTAG	Type	I/O	Pull	Description
23	TDI	1	I	UP	JTAG test data in
24	TDO	1	O	-	JTAG test data out
25	TMS	1	I	UP	JTAG test mode select
26	TCK	1	I	DOWN	JTAG test clock
No	Special Purpose Digital	Type	I/O	Pull	Description
35	SLEEPn	1*	I	-	Deep Sleep, active low
72	TIMEn	1*	I	-	Time capture request, active low

No	CLI	Type	I/O	Pull	Description
37	UARTC0_TX	2	O	-	CLI UART 0 transmit
38	UARTC0_RX	1	I	UP	CLI UART 0 receive
No	IPCS SPI /FLASH Programming	Type	I/O	Pull	Description
40	IPCS_MISO	2	O	-	SPI flash emulation (MISO) master in slave out port
42	IPCS_MOSI	1	I	-	SPI flash emulation (MOSI) master out slave in port
44	IPCS_SCK	1	I	-	SPI flash emulation (SCK) serial clock port
45	IPCS_SSn	1	I	-	SPI flash emulation slave select, active low
55	FLASH_P_ENn	1	I	UP	Flash program enable, active low Note that this functionality is available only when RESETn is asserted
No	UART	Type	I/O	Pull	Description
66	UART_RX_RTSn	1*	I	-	UART receive (RTS) request to send, active low
67	UART_RX_CTSn	1	O	-	UART receive (CTS) clear to send, active low
68	UART_RX	1*	I	-	UART receive
69	UART_TX_RTSn	1	O	-	UART transmit (RTS) request to send, active low
70	UART_TX_CTSn	1*	I	-	UART transmit (CTS) clear to send, active low
71	UART_TX	2	O	-	UART transmit

* Input signals that must be driven or pulled to a valid state to avoid leakage.

5.3 Power Supply

Eterna is powered from a single pin, VSUPPLY, and generates all required supplies internally. With two integrated DC/DC converters and four voltage regulators, the sensitivity to noise on VSUPPLY is minimal. However, during typical operation Eterna will vary its load on the power supply from the μA range to 10's of mA over a few μs . During such transients, the power supply must meet the specifications for supply noise tolerance. Eterna is designed to operate with specific decoupling capacitance on VCORE, VDDA, VOSC, VDDPA, and VPRIME, as well as the internal converter capacitors C1 through C4. Failure to use correctly sized ceramic capacitors can result in supply instability and performance degradation.

5.3.1 Antenna

Eterna allows direct connection to a single-ended 50-Ohm antenna; an internal TX/RX switch simplifies external circuitry requirements. Because both the transmit and the receive paths are single-ended, a balun (with its associated cost and efficiency loss) are not required. Eterna provides options to set typical output power to 0 dBm or to +8 dBm using the on-chip PA. For further details on radio transmit and receive, see section 2.4.

5.5 JTAG

Eterna includes an IEEE 1149.1-compliant JTAG port for boundary scan.

6.0 Absolute Maximum Ratings

The absolute maximum ratings shown in Table 3 should not be violated under any circumstances. Permanent damage to the device may be caused by exceeding one or more of these parameters. Unless otherwise noted, all voltages in Table 3 are relative to GND.

Table 3 Absolute Maximum Ratings

Parameter	Min	Typ	Max	Units	Comments
Supply voltage (VSUPPLY to GND)	-0.3		3.76	V	
Voltage on any digital I/O pin	-0.3		VSUPPLY + 0.3 up to 3.76	V	
Input RF level			+10	dBm	Input power at antenna connector
Storage temperature range	-55		+105	°C	Extended storage at high temperature is discouraged, as this negatively affects the data retention of Eterna's calibration data.
Lead temperature			+245	°C	For 10 seconds
VSWR of antenna			3:1		
ESD protection					
Antenna pad			±1000	V	HBM
All other pads			±1000	V	HBM
			±100	V	CDM



Caution! ESD sensitive device. Precaution should be used when handling the device in order to prevent permanent damage.

7.0 Recommended Operating Conditions

Table 4 Recommended Operation Conditions

Parameter	Conditions	Min	Typ	Max	Units
VSUPPLY range	Including noise and load regulation	2.1	3.6	3.76	V
Voltage supply noise	Requires recommended RLC filter, 50 Hz to 2 MHz			250	mV _{p-p}
Operating temperature range		-40		+85	°C
Operating relative humidity	Non-condensing	10		90	% RH
Power on Reset threshold			1.5		V
Temperature ramp		-8		+8	°C/min

8.0 Electrical Characteristics

8.1 Radio Specifications

The following characteristics are measured with VSUPPLY = 3.6 V at 25 °C, unless otherwise specified.

Table 5 Detailed Radio Specifications

Parameter	Conditions	Min	Typ	Max	Units
Frequency Band	As specified by [1]	2.4000		2.4835	GHz
Number of channels			15		
Channel separation	As specified by [1]		5		MHz
Occupied channel bandwidth	At -20 dBc		2.7		MHz
Channel Center Frequency	Where k = 11 to 25.‡		2405 + 5 * (k-11)		MHz
Modulation	IEEE 802.15.4 DSSS				
Raw data rate	As specified by [1]		250		kbps
Range*	25 °C, 50% RH, +2 dBi omni-directional antenna				
Indoor†			100		m
Outdoor†			300		m
Free space			1200		m

* Actual RF range performance is subject to a number of installation-specific variables including, but not restricted to ambient temperature, relative humidity, presence of active interference sources, line-of-sight obstacles, and near-presence of objects (for example, trees, walls, signage, and so on) that may induce multipath fading. As a result, actual performance varies.

† 1 meter above ground.

‡ Channel 26 as specified by [1] is not used..

8.2 DC Characteristics

The following characteristics are measured with VSUPPLY = 3.6 V at 25 °C, unless otherwise specified.

Table 6 DC Specifications

Parameter	Conditions	Min	Typ	Max	Units
Reset	After power-on reset		1.2		µA
Deep Sleep			0.8		µA
Doze	RAM on; ARM Cortex-M3, flash, radio, and peripherals off, all data and state retained, 32.768 kHz reference active		1.2		µA
Serial Flash Emulation			20		mA
Peak Operating current	System operating at 14.7 MHz Radio Tx Flash Write				

Parameter	Conditions	Min	Typ	Max	Units
at +8 dBm output power				30	mA
at 0 dBm output power				26	mA
Active*	ARM Cortex-M3, RAM, and flash on; radio and peripherals off CLK = 7.37 MHz, Vcore = 1.8 V		2.4		mA
Flash write	Single bank write		3		mA
Flash erase	Single bank page or mass erase		2.5		mA
Radio Tx [†]	Mesh Network - CLK = 7.3728 MHz, AES active 0 dBm output power +8 dBm output power		5.4 9.7		mA mA
Radio Rx [†]	Mesh Network - CLK = 7.3728 MHz, AES active		4.5		mA
Note: See section 3.0 for detailed operational definitions of states.					
* CLK = Clock frequency of CPU and peripherals.					
† Current with autonomous MAC handling packet transmission and reception; CPU idle.					

8.3 Radio Receive Characteristics

The following characteristics are measured with VSUPPLY = 3.6 V at 25 °C, unless otherwise specified.

Table 7 Radio Receive Characteristics

Parameter	Conditions	Min	Typ	Max	Units
Receiver sensitivity	PER = 1%, as specified by [1]		-93		dBm
Receiver sensitivity	PER = 50%		-95		dBm
Saturation (maximum input level)			0		dBm
Adjacent channel rejection (high side)	Desired signal at -82 dBm, adjacent modulated channel at 5 MHz, PER = 1%, as specified by [1]		22		dBc
Adjacent channel rejection (low side)	Desired signal at -82 dBm, adjacent modulated channel at -5 MHz, PER = 1%, as specified by [1]		19		dBc
Alternate channel rejection (high side)	Desired signal at -82 dBm, adjacent modulated channel at 10 MHz, PER = 1%, as specified by [1]		40		dBc
Alternate channel rejection (low side)	Desired signal at -82 dBm, adjacent modulated channel at -10 MHz, PER = 1%, as specified by [1]		36		dBc
Second alternate channel rejection	Desired signal at -82 dBm, adjacent modulated channel at +/-10 MHz, PER = 1%, as specified by [1]		42		dBc
Co-channel rejection	Desired signal at -82 dBm. Undesired signal is 802.15.4 modulated at same frequency. PER = 1%, as specified by [1]		-6		dBc
LO feed through			<-55		dBm
Frequency error tolerance	[1] requires ±40		±50		ppm
Symbol rate error tolerance			±50		ppm
RSSI input range			-10 to -90		dBm
RSSI accuracy			±6		dB
RSSI resolution			1		dB

8.4 Radio Transmitter Characteristics

The following characteristics are measured with VSUPPLY = 3.6 V at 25 °C, unless otherwise specified.

Table 8 Radio Transmitter Characteristics

Parameter	Conditions	Min	Typ	Max	Units
Output power Calibrated settings	Delivered to a 50 Ω load, over temperature and voltage ranges		0 +8		dBm dBm
Spurious emissions	Conducted measurement with a 50 Ω single-ended load, +8 dBm output power. All measurements made with Max Hold. RF implementation per Eterna reference design.				
30 MHz to 1000 MHz	RBW = 120 kHz, VBW = 100 Hz		<-70		dBm
1 GHz to 12.75 GHz	RBW = 1 MHz, VBW = 3 MHz		-45		dBm
Upper Band Edge (Peak)	RBW = 1 MHz, VBW = 3 MHz		-37		dBm
Upper Band Edge (Average)	RBW = 1 MHz, VBW = 10 Hz		-49		dBm
Lower Band Edge	RBW = 100 kHz, VBW = 100 kHz		-45		dBc
Harmonic emissions	Conducted measurement delivered to a 50 Ω load, Resolution Bandwidth = 1 MHz, Video Bandwidth = 1 MHz, RF implementation per Eterna reference design				dBm
2 nd Harmonic			-50		
3 rd Harmonic			-45		

8.5 Digital I/O Characteristics

The following characteristics are measured with VSUPPLY = 3.6 V at 25 °C, unless otherwise specified.

Table 9 Digital I/O Type 1

Parameter	Conditions	Min	Typ	Max	Units
V _{IL} (low-level input voltage)		-0.3		0.6	V
V _{IH} (high-level input voltage)		VSUPPLY - 0.3 [†]		VSUPPLY + 0.3 [†]	V
V _{OL} (low-level output voltage)	I _{OL(max)} = 1.2 mA			0.4	V
V _{OH} (high-level output voltage)	I _{OH(max)} = -1.8 mA	VSUPPLY - 0.3 [†]		VSUPPLY + 0.3 [†]	V
Input leakage current	pull-up / pull-down pins disabled.		50		nA

[†] Min and Max IO input levels must respect the Minimum and Maximum voltages for VSUPPLY.

Table 10 Digital I/O Type 2

Parameter	Conditions	Min	Typ	Max	Units
V _{IL} (low-level input voltage)		-0.3		0.6	V
V _{IH} (high-level input voltage)		VSUPPLY - 0.3 [†]		VSUPPLY + 0.3 [†]	V
V _{OL} (low-level output voltage) Low Drive	I _{OL(max)} = 2.2 mA			0.4	V
V _{OH} (high-level output voltage) Low Drive	I _{OH(max)} = -3.2 mA	VSUPPLY - 0.3 [†]		VSUPPLY + 0.3 [†]	V
V _{OL} (low-level output voltage) High Drive	I _{O(max)} = 4.5 mA			0.4	V

V _{OH} (high-level output voltage) High Drive	I _{OH(max)} = -6.3 mA	V _{SUPPLY} - 0.3 [†]		V _{SUPPLY} + 0.3 [†]	V
Input leakage current			50		nA
† Min and Min and Max IO input levels must respect the Minimum and Maximum voltages for V _{SUPPLY} .					

8.6 Temperature Sensor Characteristics

The following characteristics are measured with V_{SUPPLY} = 3.6 V at 25 °C, unless otherwise specified.

Table 11 Temperature Sensor Characteristics

Parameter	Conditions	Min	Typ	Max	Units
Offset	Temperature offset error at 25 °C		±0.25		°C
Slope error	Slope error from -40 to +85 °C		±0.033		°C/°C

8.8 System Characteristics

The following characteristics are measured with V_{SUPPLY} = 3.6 V at 25 °C, unless otherwise specified.

Table 13 System Characteristics

Parameter	Conditions	Min	Typ	Max	Units
Doze to Active state delay			5		µs
Doze to Radio TX or RX			1.2		ms
Q _{CCA} charge to sample RF channel	Start from Doze state		4		µC
Radio baud rate			250		kbps
RESETn pulse width		125			µs

8.9 UART AC Characteristics

The following characteristics are measured with V_{SUPPLY} = 3.6 V at 25 °C, unless otherwise specified.

Table 14 UART Timing Values

Parameter	Conditions	Min	Typ	Max	Unit
t _{RX_BAUD}	Deviation from baud rate	-2		+2	%
t _{TX_BAUD}	Deviation from baud rate	-1		+1	%
t _{RX_RTS_R to RX_CTS}	Assertion of UART_RX_RTSn to assertion of UART_RX_CTSn, or negation of UART_RX_RTSn to negation of UART_RX_CTSn	0		22	ms
t _{CTS_R to RX}	Assertion of UART_RX_CTSn to start of byte	0		20	ms
t _{EOP to RX_RTS}	End of packet (end of the last stop bit) to negation of UART_RX_RTSn	0		22	ms
t _{TX_RTS_T to TX_CTS}	Assertion of UART_TX_RTSn to assertion of UART_TX_CTSn, or negation of UART_TX_RTSn to negation of UART_TX_CTSn	0		22	ms
t _{TX_CTS_T to TX}	Assertion of UART_TX_CTSn to start of byte	0		2	bit period
t _{EOP to TX_RTS}	End of packet (end of the last stop bit) to negation of UART_TX_RTSn	0		1	bit period
t _{RX_INTERBYTE}	Receive Inter-byte delay			100	ms
t _{TX to TX_CTS}	Start of byte to negation of UART_TX_CTSn	0			ms
t _{INTERPACKET}	Transmit and Receive Inter-packet delay (Mode 4 only)	100			ms

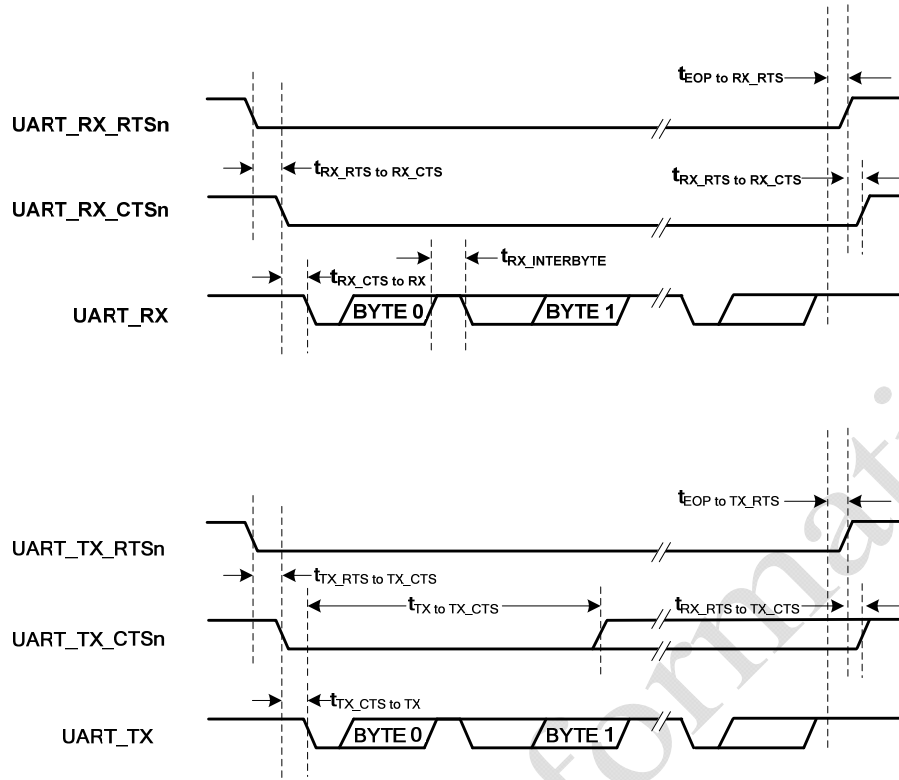


Figure 16 UART Timing

8.10 TIMEn AC Characteristics

The following characteristics are measured with VSUPPLY = 3.6 V at 25 °C, unless otherwise specified. Note that the time pin must remain negated until the time packet has been received.

Table 15 Timestamp Characteristics

Parameter	Conditions	Min	Typ	Max	Unit
t _{strobe}		125			µs
t _{response}	From rising edge of TIMEn			100	ms
Resolution	See the serial API definition for getParameter<time>		+/- 1		µs
Network-wide time accuracy	Stable temperature environment		+/- 5		µs

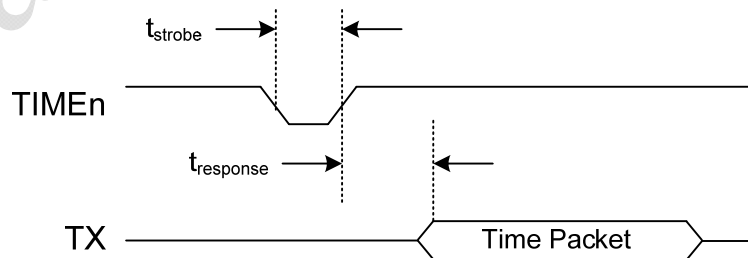


Figure 17 Timestamp Timing Diagram

8.11 SLEEPn AC Characteristics

The following characteristics are measured with VSUPPLY = 3.6 V at 25 °C, unless otherwise specified. Note that the time pin must remain negated until the time packet has been received.

Table 16 SLEEPn Characteristics

Parameter	Conditions	Min	Typ	Max	Unit
t_{doze}	From falling edge of SLEEPn			20	ms
T_{sleep_strobe}	Maximum strobe width			2	s

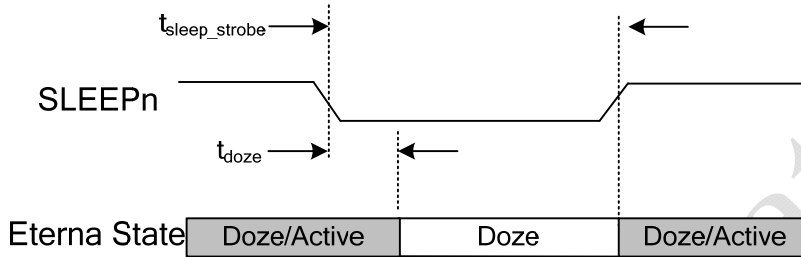


Figure 18 SLEEPn Timing Diagram

8.12 RADIO_INHIBIT AC Characteristics

The following characteristics are measured with VSUPPLY = 3.6 V at 25 °C, unless otherwise specified. Note that the time pin must remain negated until the time packet has been received.

Table 17 RADIO_INHIBIT Characteristics

Parameter	Conditions	Min	Typ	Max	Unit
t_{radio_off}	From rising edge of RADIO_INHIBIT			20	ms
$T_{radio_inhibit_strobe}$	Maximum strobe width			2	s

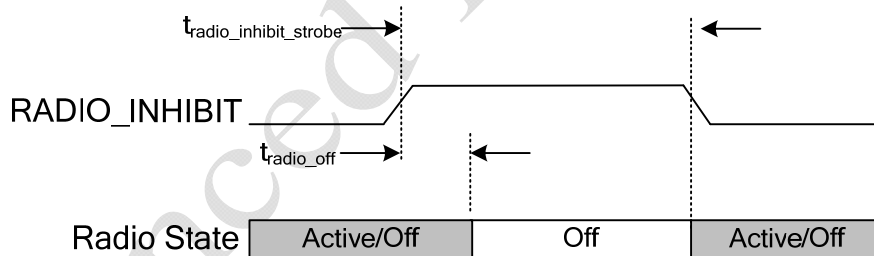


Figure 19 RADIO_INHIBIT Timing Diagram

8.13 FLASH AC Characteristics

The following characteristics are measured with VSUPPLY = 3.6 V at 25 °C, unless otherwise specified.

Table 18 FLASH AC Timing Values

Parameter	Conditions	Min	Typ	Max	Unit
t _{32-BIT_WORD}	Writing a 32-bit word			21	µs
t _{PAGE_ERASE}	Page Erase			21	ms
t _{MASS_ERASE}	Bank Erase			21	ms

8.14 Flash Programming AC Characteristics

The following characteristics are measured with VSUPPLY = 3.6 V at 25 °C with 10 pF load capacitance, unless otherwise specified.

Table 19 SPI Slave AC Timing Values

Parameter	Conditions	Min	Typ	Max	Unit
t _{SSS}	IPCS_SSn setup to leading edge of IPCS_SCK	15			ns
t _{SSH}	IPCS_SSn hold from trailing edge of IPCS_SCK	15			ns
t _{CK}	IPCS_SCK period	50			ns
t _{DIS}	IPCS_MOSI data setup	15			ns
t _{DIH}	IPCS_MOSI data hold	5			ns
t _{DOV}	IPCS_MISO data valid	3		15	ns
t _{OFF}	IPCS_MISO data tri-state	0		15	ns

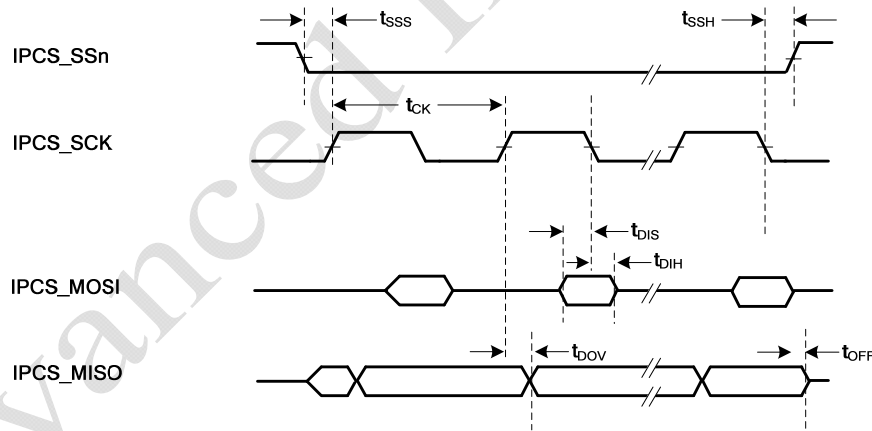
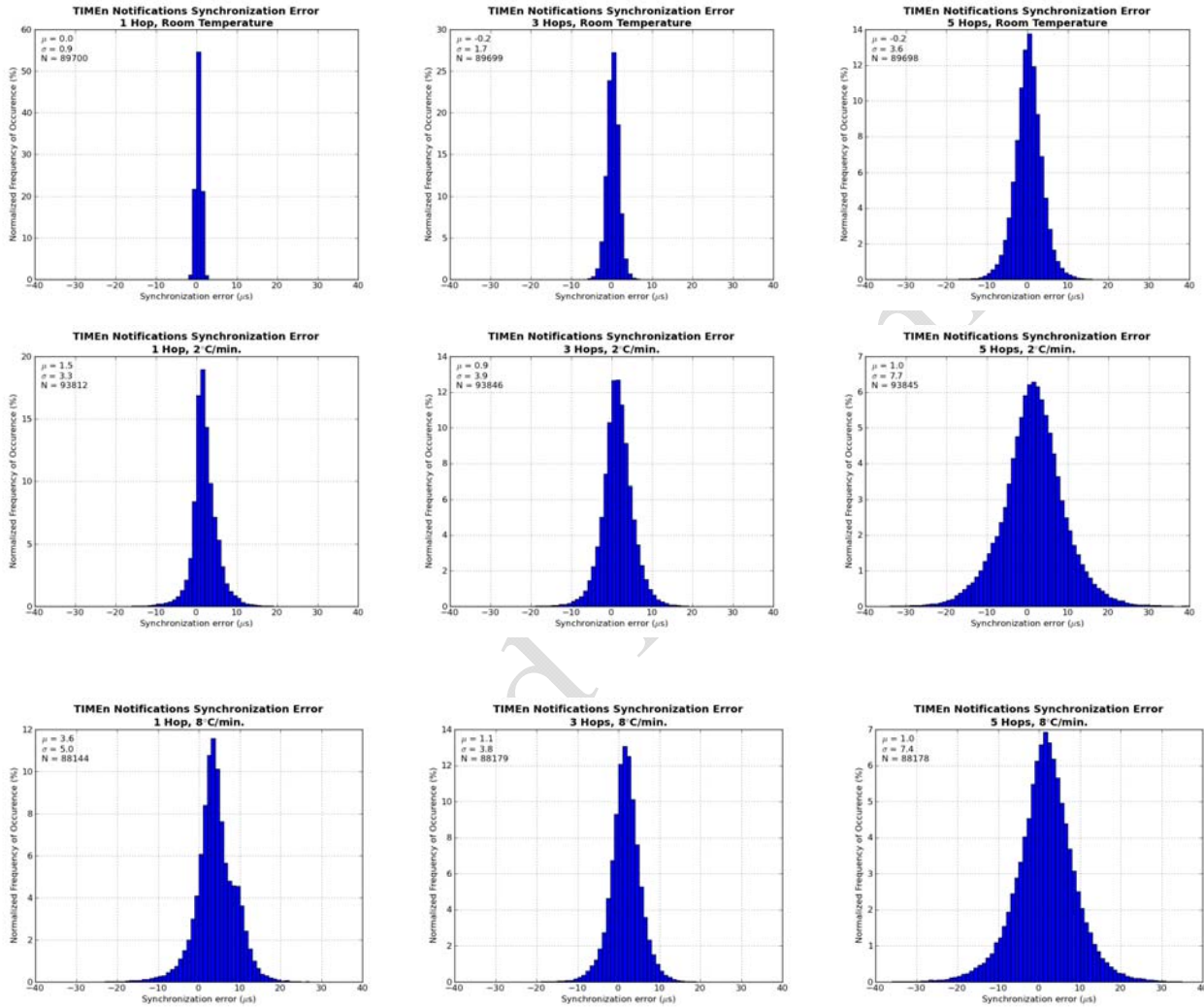


Figure 20 Flash Programming Slave Timing

9.0 Typical Performance Characteristics

All TIMeN synchronization error testing was performed with the hop-1 mote inside a temperature chamber. Timing errors due to temperature changes and temperature differences both between the AP and this mote and between this mote and its descendents therefore propagated down through the network. The synchronization of the hop-3 and hop-5 motes to the AP was then affected by the temperature ramps even though they were at room temperature. For 2°C/min. testing the temperature chamber was cycled between -40°C and 85°C at this rate for 24 hours. For 8°C/min. testing, the temperature chamber was rapidly cycled between 85°C and about 45°C for 8 hours, followed by rapid cycling between -5°C and about 45°C for 8 hours, and lastly, rapid cycling between -40°C and about 15°C for 8 hours..



Network motes typically route through at least two parents traffic destined for the manager. The bandwidth and keep-alive overhead required to support network motes will be shared across all of the mote's parents. The supply current plots include a parameter called traffic-weighted descendants. In these graphs the term traffic-weighted descendants refers to an amount of activity equivalent to the number of descendants were all of the network traffic and keep-alives directed to the mote in question. Generally the number of descendants of a parent is more (typically 2x or more) than the number of traffic-weighted descendants. For example, with reference to Figure 25 mote P1 has 0.75 traffic-weighted descendants. To obtain this value notice that mote D1 routes half its packets through mote P1 adding 0.5 to the traffic-weighted descendant value; the other half of D1's traffic is routed through its other parent, P2. Mote D2 routes half its packets through mote D1 (the other half going through parent P3), which we know routes half its packets to mote P1, adding another 0.25 to the traffic-weighted descendant value for a total traffic-weighted descendant value of 0.75.

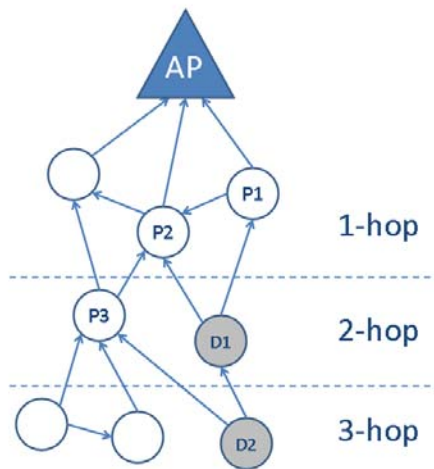
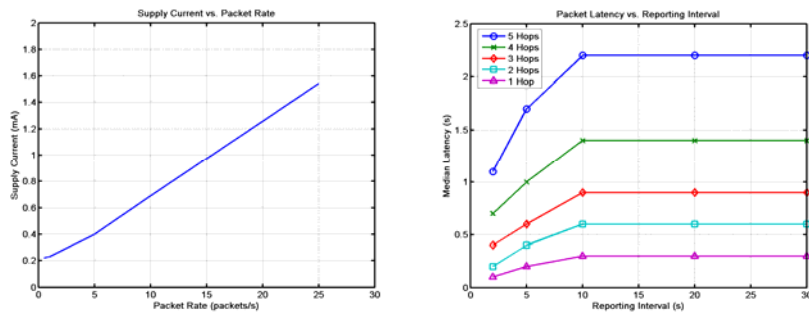


Figure 25 Network Graph Depicting Traffic Weighted Descendant Value Calculation

The following plots correspond to networks with 1024 slots/frame, an assumed path stability of 80%, an 80 byte packet and unless otherwise specified operation at 25 degrees C.



10.0 Mechanical Details

10.1 Mote-on-Chip

Eterna comes in 72-lead 10 x 10 mm, 0.5 mm lead pitch QFN, as illustrated in Figure 26.

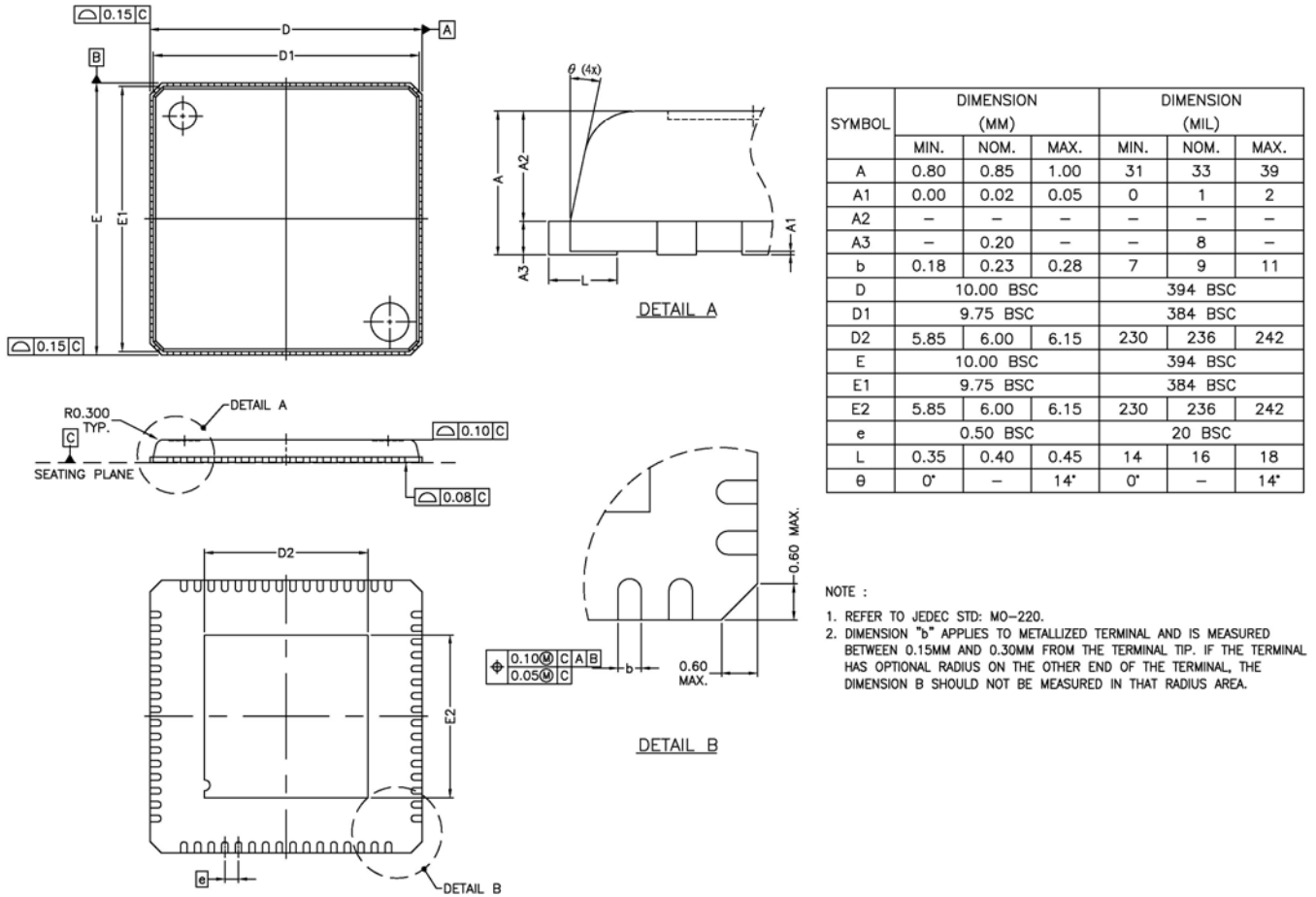


Figure 26 Mechanical Drawing – Eterna QFN Package Outline Drawing

10.3 Soldering Information

Eterna is suitable for both eutectic PbSn and RoHS-6 reflow. The maximum reflow soldering temperature is 260 °C.

11.0 Regulatory and Standards Compliance

Eterna is suitable for systems targeting compliance with worldwide radio frequency regulations: ETSI EN 300 328 and EN300 440 class 2 (Europe), FCC CFR47 Part 15 (US), and ARIB STD-T66 (Japan).

11.1 Compliance to Restriction of Hazardous Substances (RoHS)

Restriction of Hazardous Substances (RoHS) is a directive that places maximum concentration limits on the use of cadmium (Cd), lead (Pb), hexavalent chromium (Cr+6), mercury (Hg), Polybrominated Biphenyl (PBB), and Polybrominated Diphenyl Ethers (PBDE). Dust Networks is committed to meeting the requirements of the European Community directive 2002/95/EC.

This product has been specifically designed to utilize RoHS-compliant materials and to eliminate or reduce the use of restricted materials to comply with 2002/95/EC.

The RoHS-compliant design features include:

- RoHS-compliant solder for solder joints
- RoHS-compliant base metal alloys

- RoHS-compliant precious metal plating
- RoHS-compliant cable assemblies and connector choices
- Lead-free QFN package
- Halogen-free mold compound
- RoHS-compliant and 245 °C re-flow compatible

Note: Customers may elect to use certain types of lead-free solder alloys in accordance with the European Community directive 2002/95/EC. Depending on the type of solder paste chosen, a corresponding process change to optimize reflow temperatures may be required.

12.0 References

- [1] IEEE Std. 802.15.4-2006: Wireless Medium Access Control (MAC) and Physical Layer (PHY) Specifications for Low-Rate Wireless Personal Area Networks (LR-WPANs)
<http://standards.ieee.org/getieee802/download/802.15.4-2006.pdf>

13.0 Order Information

LEAD FREE FINISH	TRAY	PART MARKING*	PACKAGE DESCRIPTION	TEMPERATURE RANGE
LTC5800IWR-IPRA#PBF	LTC5800IWR-IPRA#PBF	LTC5800WR	72-Lead (10mm x 10mm x 0.85 mm) QFN	-40 °C to 85 °C
LTC5800HWR-IPRA#PBF	LTC5800HWR-IPRA#PBF	LTC5800WR	72-Lead (10mm x 10mm x 0.85 mm) QFN	-55 °C to 105 °C

*The temperature grade is identified by a label on the shipping container.

For more information on lead free part marking, go to: <http://www.linear.com/leadfree/>

This product is only offered in trays. For more information go to: <http://www.linear.com/packaging/>

Trademarks

SmartMesh Industrial and Eterna are trademarks of Dust Networks, Inc. The Dust Networks logo, Dust, Dust Networks, and SmartMesh are registered trademarks of Dust Networks, Inc. The Linear logo is a registered trademark of Linear Technology Corporation. All third-party brand and product names are the trademarks of their respective owners and are used solely for informational purposes.

ARM and Cortex are trademarks or registered trademarks of ARM Limited in the EU and other countries.

Copyright

This documentation is protected by United States and international copyright and other intellectual and industrial property laws. It is solely owned by Dust Networks, Inc. and its licensors and is distributed under a restrictive license. This product, or any portion thereof, may not be used, copied, modified, reverse assembled, reverse compiled, reverse engineered, distributed, or redistributed in any form by any means without the prior written authorization of Dust Networks, Inc.

RESTRICTED RIGHTS: Use, duplication, or disclosure by the U.S. Government is subject to restrictions of FAR 52.227-14(g) (2)(6/87) and FAR 52.227-19(6/87), or DFAR 252.227-7015 (b)(6/95) and DFAR 227.7202-3(a), and any and all similar and successor legislation and regulation.

Disclaimer

This documentation is provided "as is" without warranty of any kind, either expressed or implied, including but not limited to, the implied warranties of merchantability or fitness for a particular purpose.

This documentation might include technical inaccuracies or other errors. Corrections and improvements might be incorporated in new versions of the documentation.

Dust Networks does not assume any liability arising out of the application or use of any products or services and specifically disclaims any and all liability, including without limitation consequential or incidental damages.

Dust Networks products are not designed for use in life support appliances, devices, or other systems where malfunction can reasonably be expected to result in significant personal injury to the user, or as a critical component in any life support device or system whose failure to perform can be reasonably expected to cause the failure of the life support device or system, or to affect its safety or effectiveness. Dust Networks customers using or selling these products for use in such applications do so at their own risk and agree to fully indemnify and hold Dust Networks and its officers, employees, subsidiaries, affiliates, and distributors harmless against all claims, costs, damages, and expenses, and reasonable attorney fees arising out of, directly or indirectly, any claim of personal injury or death associated with such unintended or unauthorized use, even if such claim alleges that Dust Networks was negligent regarding the design or manufacture of its products.

Dust Networks reserves the right to make corrections, modifications, enhancements, improvements, and other changes to its products or services at any time and to discontinue any product or service without notice. Customers should obtain the latest relevant information before placing orders and should verify that such information is current and complete. All products are sold subject to Dust Network's terms and conditions of sale supplied at the time of order acknowledgment or sale.

Dust Networks does not warrant or represent that any license, either express or implied, is granted under any Dust Networks patent right, copyright, mask work right, or other Dust Networks intellectual property right relating to any combination, machine, or process in which Dust Networks products or services are used. Information published by Dust Networks regarding third-party products or services does not constitute a license from Dust Networks to use such products or services or a warranty or endorsement thereof. Use of such information may require a license from a third party under the patents or other intellectual property of the third party, or a license from Dust Networks under the patents or other intellectual property of Dust Networks.

Dust Networks, Inc is a wholly owned subsidiary of Linear Technology Corporation.

© Dust Networks, Inc. 2012. All Rights Reserved.

Last Revised: July 26, 2012

Document Status	Product Status	Definition
Advanced Information	Planned or under development	This datasheet contains the design specifications for product development. Dust Networks reserves the right to change specifications in any manner without notice.
Preliminary	Engineering samples and pre-production prototypes	This datasheet contains preliminary data; supplementary data will be published at a later time. Dust Networks reserves the right to make changes at any time without notice in order to improve design and supply the best possible product. The product is not fully qualified at this point.
No Identification Noted	Full production	This datasheet contains the final specifications. Dust Networks reserves the right to make changes at any time without notice in order to improve design and supply the best possible product.
Obsolete	Not in production	This datasheet contains specifications for a product that has been discontinued by Dust Networks. The datasheet is printed for reference information only.

Advanced Information